

AMERICAN RANGE

QUALITY PROFESSIONAL COOKING EQUIPMENT

LEGACY II - DOUBLE ELECTRIC WALL OVEN

LEGACY II - ELECTRIC WALL OVEN FEATURES

- Warming mode to keep food warm without over cooking
- Dehydrate mode to blow convection fan without heat
- Smart Bake mode uses well tested cooking logarithms
- Convection Bake to help promote airflow and even heat
- Convection Roast perfect for proteins
- Smart Roast mode uses well tested cooking logarithms
- Broil at up to 3500 WATTS
- Proof to help improve rising bread
- Easy Clean mode for a fast and easy clean up.
- Oven Indicator lights indicate when oven is in operation.
- Simplified control panel to ensure ease of use and quick access to oven features, modes, and operations.



DEFC-30
SHOWN IN STAINLESS STEEL, AVAILABLE IN ANY RAL COLOR

WELCOME TO A NEW AGE OF ELECTRIC OVENS

The NEW American Range Legacy II - Electric Wall Oven is ushering in a new era of sophistication, precision, and expertise. Designed with the user in mind, this oven was completely engineered from the ground up to excel in all areas of the cuisine and culinary experience.



DESIGNED & BUILT IN USA
PROFESSIONAL COOKING EQUIPMENT

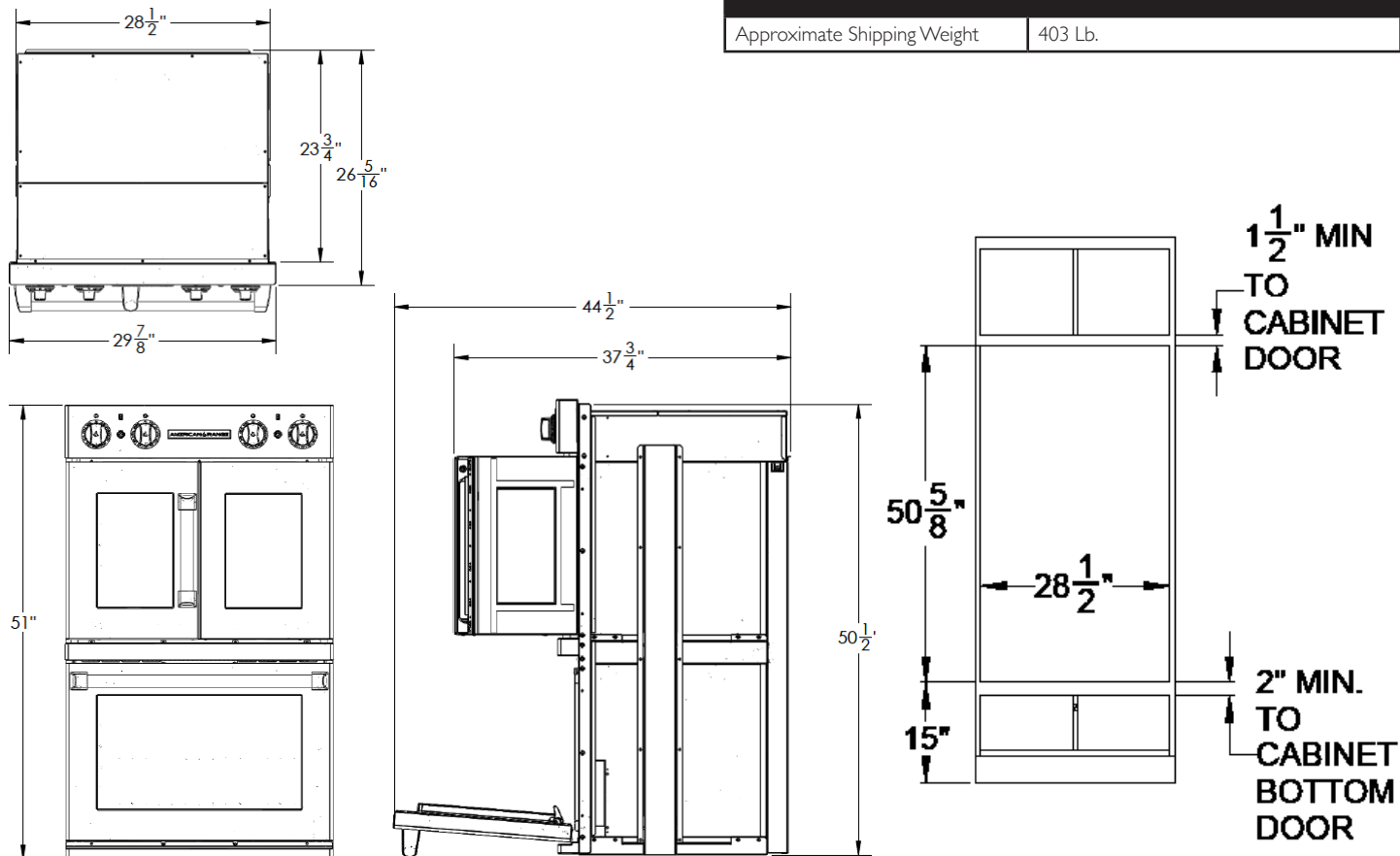
www.AmericanRangeResidential.com

© Copyright 2018 American Range
All Rights Reserved

LEGACY II - ELECTRIC WALL OVEN FEATURES

- Warming mode keeps food warm at 170°F
- Dehydrate mode blows convection fan & heats to 135°F
- Standard Bake mode
- Convection Bake to help promote airflow and even heat
- Convection Roast perfect for proteins
- Standard Roast mode
- Broil at up to 3500 WATTS
- Proof to help improve rising bread
- Easy Clean mode for easy clean up.
- Oven Indicator lights indicate when oven is in operation.
- Simplified control panel to ensure ease of use and quick access to oven features, modes, and operations.
- Oven heat range up to 500°F
- Two racks glide at 6 cooking levels on heavy chrome side supports
- Easy Clean Porcelainized oven interior simplifies cleaning
- Extra-large viewing window in oven door
- Two lights in each oven easily controlled from front panel
- Commercial grade stainless steel construction
- NEW Heavy Duty Stainless Steel Brushed Finish Knobs

DOUBLE WALL OVEN	
Description	Electric / Electric
Overall Width	30"
Overall Height	51"
Overall Depth:	
To the edge of control panel	26-1/2"
With French Door open	39-1/2"
With Chef Door open	45-1/4"
Cutout Width	28-1/2" minimum
Cutout Height	50-1/2" minimum
Cutout Depth	24" minimum
Electrical Requirements	4-wire ground, 240 VAC, 60 AMP electrical connection. Fuse separately.
Oven (Electric)	3500 WATTS
Broiler (Electric)	3500 WATTS
Convection (Electric)	2500 WATTS
Approximate Shipping Weight	403 Lb.



DESIGNED & BUILT IN USA
PROFESSIONAL COOKING EQUIPMENT

www.AmericanRangeResidential.com

© Copyright 2018 American Range
All Rights Reserved

08312018 Rev A