

AMERICAN RANGE

QUALITY PROFESSIONAL COOKING EQUIPMENT

INSTALLATION GUIDE AND USE & CARE MANUAL

LEGACY WALL OVEN



BUILT-IN ELECTRIC SINGLE & DOUBLE WALL OVENS

MODELS: SEF-30, SEC-30, DEF-30, DEC-30, DEFC-30
RETAIN THIS MANUAL FOR FUTURE REFERENCE

DESIGNED & BUILT IN USA

PROFESSIONAL COOKING EQUIPMENT

! WARNING

ALL PERSONNEL IN THE WORKPLACE WHO MAY BE SUBJECT TO ANY EXPOSURE OR CARBON MONOXIDE MUST BE WARNED OF SUCH POSSIBLE EXPOSURE. THIS WARNING SHOULD BE CONVEYED IN A MANNER SO THAT IT IS CLEARLY UNDERSTOOD BY THE EMPLOYEE. THE EMPLOYEE MUST BE ASKED IF IN FACT HE OR SHE UNDERSTANDS THE CORRECT METHOD OF OPERATION OF THE EQUIPMENT AND THAT A RISK OF EXPOSURE EXISTS IF THE EQUIPMENT IS OPERATED IMPROPERLY.

! CAUTION

Purchase a kitchen fire extinguisher for your home and store it in close proximity to your appliance. Should an uncontrolled fire occur; never use water on grease fires. Never pick up a flaming pan. The oven door interior and exterior; especially the oven door glass can get hot during operation. Do not touch the glass - use the door handle to open or close the range door. Children should not be left alone or unattended in the kitchen while the appliance is in use. Never leave the appliance unattended during use.

NEVER wear loose fitting or long sleeved apparel while cooking. Never wear garments made from flammable materials. Clothing may ignite or catch utensil handles.

DO NOT drape towel or other items on door handles. These items could ignite and cause burns.

ALWAYS place oven racks in the desired position before you start cooking and while the oven is cool. Always use dry and sturdy pot-holders to carefully slide the oven rack out to add or remove food.

ALWAYS turn the appliance off at the end of cooking.

When dehydrating food items, periodically check during the process to ensure that they do not catch fire.

Turn the knobs to the OFF position prior to removing them from the valve stems for cleaning.

! WARNING

NEVER use this appliance as a space heater to heat or warm a room. Doing so may result in carbon monoxide poisoning and overheating of the appliance. Do not use the range top or oven as a food or kitchen item storage area.

NEVER block or cover any slots, holes, or passages located anywhere inside or outside the appliance. These structures are important to safe operation of the appliance and doing so may block airflow through the oven or cook top possibly causing carbon monoxide poisoning or fire. Routinely keep all slots free of grease and other materials.

This appliance has been tested for safe performance using conventional cookware. DO NOT USE any device or accessory not specifically recommended in this guide. DO NOT USE pan or pan covers on surface units, grills, or griddles. These units can create serious safety hazards including personal injury, create performance problems, and may damage the appliance.

Do not store or use corrosive chemicals, vapors, flammables, or non-food products in or near this appliance. It is specifically designed for use when heating or cooking food. The use of corrosive chemicals while heating or cleaning could result in personal injury or damage to the appliance.

! CAUTION

Read instructions carefully prior to using the appliance. These instructions will reduce the risk of burns, electric shocks, fire and injury.

Upon completion of installation, have the installer show you the location of the circuit breaker or fuse. Label for easy reference.

This appliance is intended for normal family household use only. It is not approved for outdoor installation and use. Refer to WARRANTY section of this manual.

- **DO NOT** store or use gasoline, kerosene or other flammables inside the oven or near the appliance.
- **DO NOT** use the appliance if damaged and not working properly. Contact Manufacturer or authorized servicer for proper instructions.
- **DO NOT** store any objects in front of the appliance. These may obstruct the vents and result in improper oven circulation and overheating.
- **DO NOT** use aluminum foil or protective liners in any part of the appliance, especially inside the oven. They may cover the vents in the oven resulting in poor cooking performance. They will damage the porcelain finish and if left for longer period, may cause fire.
- In case of fire inside the oven, **DO NOT** open oven door. Turn off appliance and disconnect the appliance in the circuit breaker or fuse box.
- It is recommended that a smoke detector be installed near the kitchen.
- It is recommended that a fire extinguisher be available in every household. Inquire from the local hardware store the proper type of fire extinguisher to use for the type of fire, and ask instructions for its proper use.
- Care should be observed when opening doors during and after cooking. Open the oven door slightly at first to release some heated air or steam. Keep face away and fully open door when safe.
- **DO NOT** touch the heating element, racks or oven surfaces. Use dry pot holders when removing pans, cookie sheets and trays. Wet or damp pot holders on hot surfaces may result in burns from steam.
- **DO NOT** leave opened oven door unattended.
- **DO NOT** allow anyone to climb, stand, lean, sit or hang on any part of the appliance. These may cause damage to the appliance and potentially cause injury.
- **DO NOT** leave children and pets unattended in the kitchen area.

WHAT TO DO IF YOU SMELL GAS

- DO NOT try to light the appliance.
- DO NOT touch any electrical switch, DO NOT use any phone in your building.
- IMMEDIATELY call your gas company. Follow the gas supplier instructions.
- If you cannot reach your gas supplier, call the Fire Department.

IMPORTANT SERVICE NOTICE!

Using any part other than genuine American Range factory supplied parts relieves the manufacturer of all liability. American Range reserves the right to change specifications and product design without notice. Such revisions do not entitle the buyer to corresponding changes, improvements, additions or replacements for the previously purchased equipment.

FOR YOUR SAFETY

FOR YOUR SAFETY!

Do not store or use gasoline or other flammable vapors or liquids in the vicinity of this or any other appliance.

FOR YOUR SAFETY

WARNING

IMPROPER INSTALLATION

WARNING!

Improper installation, adjustment, alteration, service or maintenance can cause property damage, injury or death. Read the installation, operating and maintenance instructions thoroughly before installing or servicing this equipment.

Instruction to be followed in the event the user smells gas should be posted in a prominent location. This information should be obtained by consulting the local gas supplier.

WARNING

IMPROPER INSTALLATION

GENERAL INSTRUCTIONS

- Do not remove protective packaging until you are ready to perform the installation.
- Do not remove the protective wrapping from the product control panel until the product is installed.
- Use proper equipment to move products.
- Any openings in the wall and in the floor behind or under the appliance must be sealed.

! WARNING

Do not use the handle or oven door to lift the oven. Remove pull down door before installation to ensure that it is not used to lift the unit. Make sure pins are inserted into hinges before removing door to prevent injury to hands and / or fingers.

! WARNING

Do not use an extension cord with this appliance. Such use may result in fire, electrical shock or other personal injury. Please observe all local and national codes and ordinances. Do not remove any permanent warning labels or places from this product.

! CAUTION

The appliance is heavy. Use extreme care when handling. Please ensure that this product is electrically grounded. Consumers should retain these instructions for local inspector and for future use.

INSTALLATION INSTRUCTIONS

- INSTALLATION AND SERVICE MUST BE PERFORMED BY A CERTIFIED / LICENCED INSTALLER, SERVICE AGENCY OR GAS SUPPLIER
- DO NOT store or use gasoline or other flammable vapors or liquids in the vicinity of this or any other appliance.
- Products are anchored to the wooden shipping pallet using metal straps that are screwed to the bottom of the product and the pallet.
- To remove the packaging, first remove the staples located at the bottom perimeter of the corrugated cover.
- Remove the corrugated cover by lifting it off the product and remove the inner packing.
- Detach the product from the metal anchor strip by removing the attachment screw.
- Confirm available access to adequate power and gas. See Specifications & Electrical Requirements table.
- Fill out page 1 of this installation manual with requested data. Model number and serial number can be found on the plate located underneath the control panel on the front of the oven.
- The oven is zero-clearance safe against combustible surfaces.
- Provide 4" space between floor and bottom of the oven.
- Provide 4" space between top of the oven and bottom edge of cabinet doors.

IMPORTANT - PLEASE READ AND FOLLOW!

- Before beginning, please read all the instructions carefully.
- **DO NOT** remove permanently affixed labels, warnings, or plates from product. This may void the warranty.
- All local and national codes and ordinances must be observed; installation must conform with local codes.
- The Installer must leave these instructions with the consumer who should retain for local inspector's use and for future reference.
- Installation and service must be performed by a qualified installer, service agency or gas supplier.
- Please ensure that the product is properly grounded.

Your safety and the safety of others is very important. We have provided many important safety messages in this manual and on your appliance. Always read and obey all safety messages.

PRECAUTIONS

SHIPPING DAMAGE CLAIM PROCEDURE

The equipment is crafted and inspected carefully by skilled personnel before leaving the factory. The transportation company assumes full responsibility for the safe delivery upon acceptance of the equipment.

If you receive a damaged product, immediately contact your delivery company, your dealer, your builder or installer. Do not install or attempt to operate a damaged appliance.

1. Note on the freight bill or express delivery any visible loss or damage and have the note signed by the person making the delivery.
2. File claim for damages immediately regardless of the extent of damages.
3. For damage noticed after unpacking (concealed loss or damage), notify the transportation company immediately and file a "Concealed Damage" claim with them. This should be done within fifteen (5) days from the date that delivery is made to you. Retain the shipping container for inspection.

IMPORTANT - PLEASE READ AND FOLLOW!



This is the SAFETY ALERT SYMBOL. This symbol alerts you to hazards which will result in severe injury or death.

! DANGER

Hazards or unsafe practices which will result in severe personal injury or death.

! CAUTION

Hazards or unsafe practices which may result in minor personal injury or property damage.

! WARNING

To prevent possible damage to cabinets and cabinet finishes, use only materials that will not discolor or delaminate and will withstand temperatures up to 194°F (90°C). Heat resistant adhesive must be used if the product is to be installed in laminated cabinetry. Check with your builder or cabinet supplier to make sure that the materials meet these requirements.

! WARNING

The use of cabinets for storage above the oven may result in potential fire or burn hazard.

! DANGER

To avoid risk of electrical shock, personal injury or death; verify your appliance has been properly grounded in accordance with local codes or in absence of codes, with the National Electrical Code (NEC).ANSI/NFPA 70 latest edition.

! WARNING

Do not use the handle or oven door to lift the oven. Remove pull down door before installation to ensure that it is not used to lift the unit. Make sure pins are inserted into hinges before removing door to prevent injury to hands and / or fingers.

! WARNING

The misuse of the oven door(s) (e.g.; stepping, sitting, or leaning on them) can result in hazard or injuries and damage to the product.

! WARNING

This appliance should not be used for space heating. This information is based on safety considerations.

! WARNING

MOVING HAZARD

To avoid risk of severe personal injury; this appliance requires 2 or more personnel while handling and moving. Use of a moving dolly is recommended.

! CAUTION

For personal safety, this appliance must be connected to a properly grounded and polarized electrical power supply. If only a two-prong outlet is available, it is the customer's responsibility to have it replaced with a dedicated, grounded, three-prong electrical outlet by a licensed technician.

- Do not cut or remove the third (ground) prong from the power cord
- Do not use an adapter plug
- Do not use an extension cord
- Do not use a power cord that is frayed or damaged
- Do not plug the appliance into an electrical outlet with a Ground Fault Circuit Interrupter (GFCI)

American Range will not warranty any problems from GFI outlets.

WARRANTY REQUIREMENT

For reliable operation and for your own safety, this professional cooking equipment must be installed by a certified/licensed contractor.

Failure to comply will void any written or implied warranty.

Should the equipment require service during the standard warranty period, the receipt proving certified installation must be made available to American Range for verification.

If installation was not performed by a certified/licensed contractor, be prepared to submit a major credit card for payment for proper installation prior to service.

- Please observe all local and national codes and ordinances.
- Do not remove any permanent warning labels or plates from this product.
- Please ensure that this product is electrically grounded.
- Consumers should retain these instructions for local inspectors and for future use.

SPECIFICATIONS & ELECTRICAL REQUIREMENTS

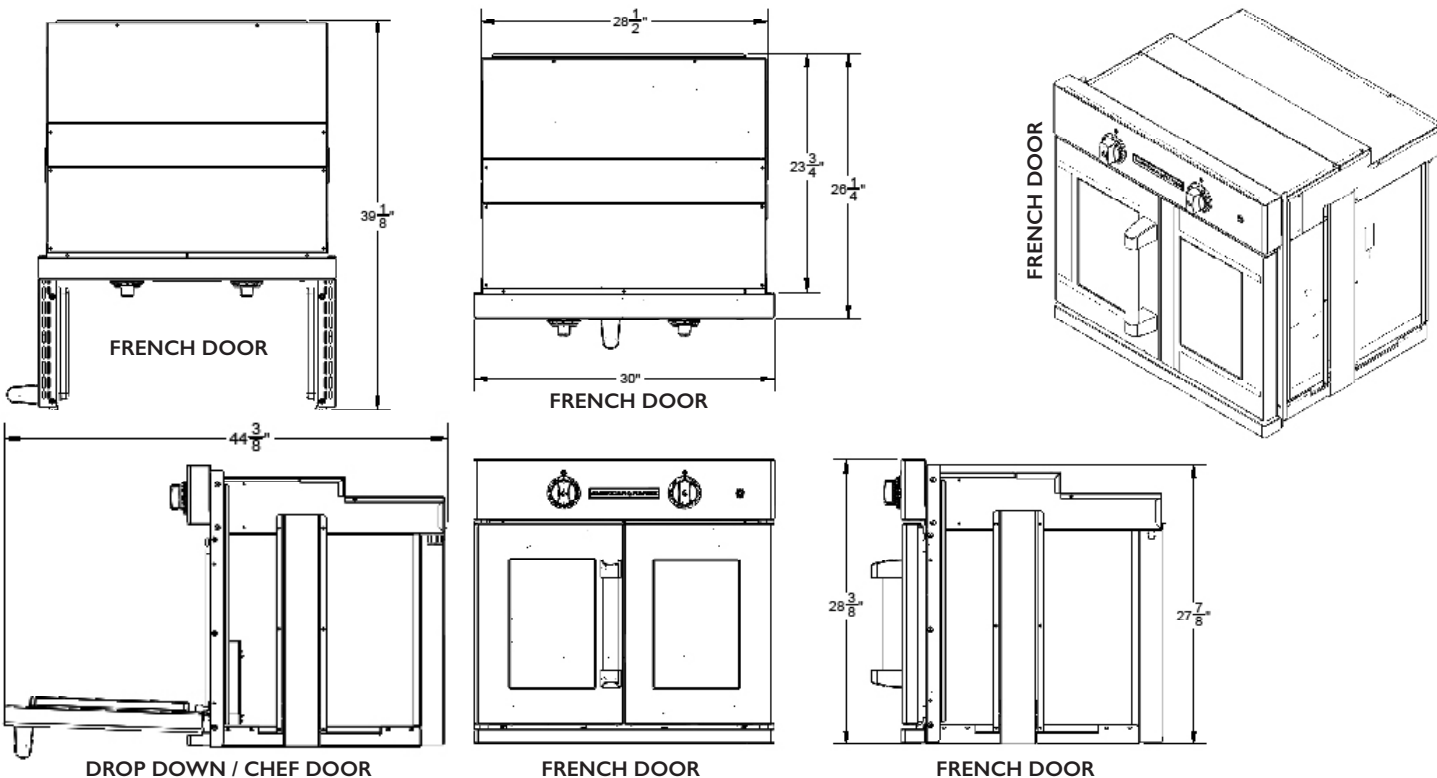
INSTALLATION GUIDE AND USE & CARE MANUAL

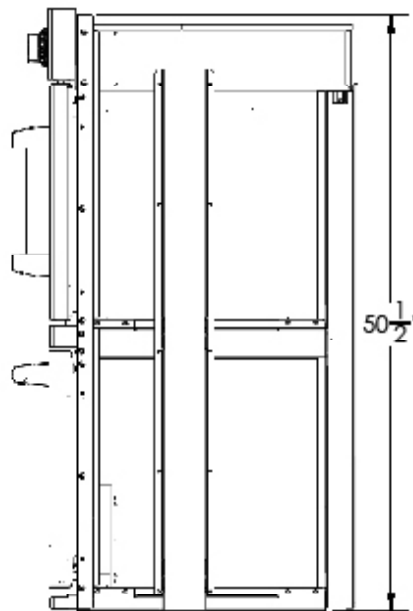
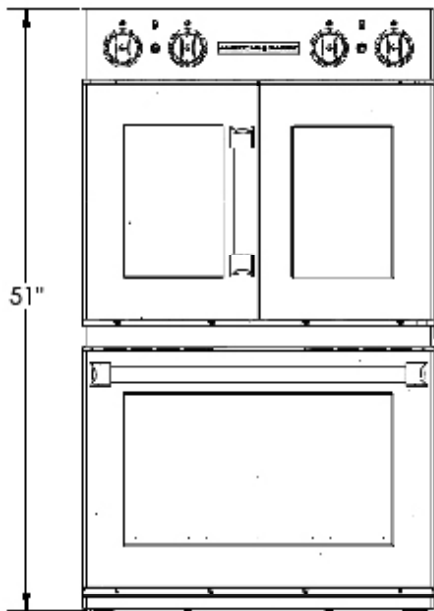
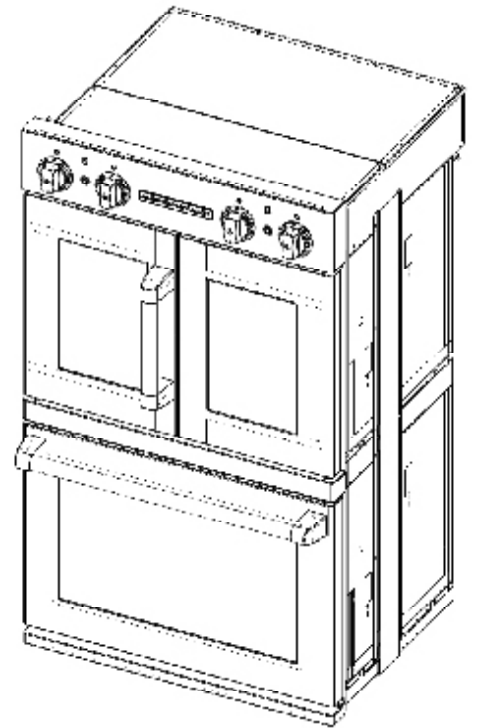
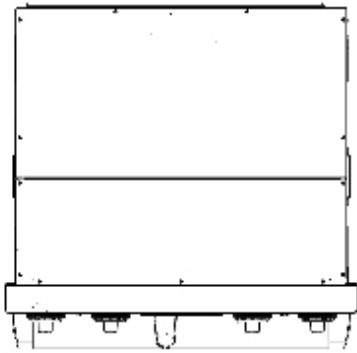
SINGLE WALL OVEN	
Description	Electric
Overall Width	30"
Overall Height	31-3/8"
Overall Depth: To the edge of control panel With French Door open With Chef Door open	26-1/2" 39-1/2" 45-1/4"
Cutout Width	28-1/2"
Cutout Height	31-1/4"
Cutout Depth	24" min
Electrical Requirements	4-wire ground, 240 VAC, 35 AMP electrical connection. Equipped with #10 ground wire in unit. Fuse separately. Solid copper.
Oven (Electric)	3500 WATTS
Broiler (Electric)	3500 WATTS
Convection (Electric)	2500 WATTS
Approximate Shipping Weight	235 Lb.

DOUBLE WALL OVEN	
Description	Electric / Electric
Overall Width	30"
Overall Height	58-5/8"
Overall Depth: To the edge of control panel With French Door open With Chef Door open	26-1/2" 39-1/2" 45-1/4"
Cutout Width	28-1/2"
Cutout Height	57-1/2"
Cutout Depth	24" min
Electrical Requirements	4-wire ground, 240 VAC, 60 AMP electrical connection. Fuse separately.
Oven (Electric)	3500 WATTS
Broiler (Electric)	3500 WATTS
Convection (Electric)	2500 WATTS
Approximate Shipping Weight	403 Lb.

OVEN DIMENSIONS SINGLE WALL OVEN

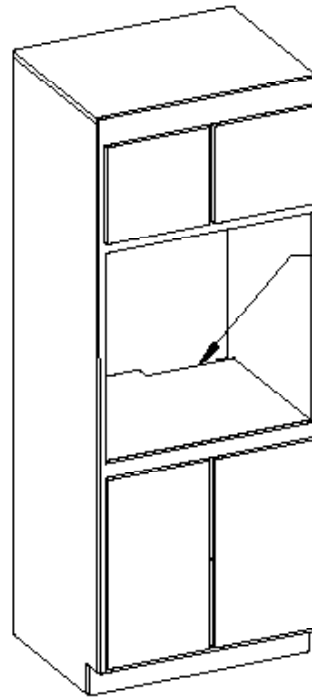
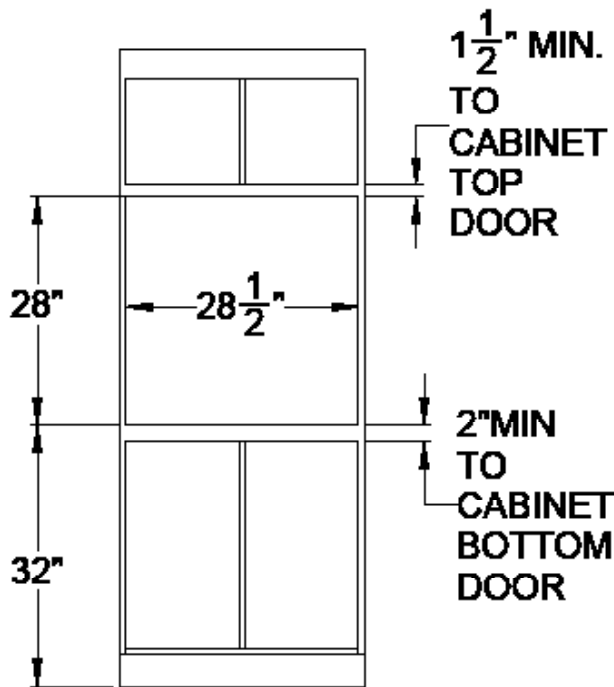
INSTALLATION GUIDE AND USE & CARE MANUAL





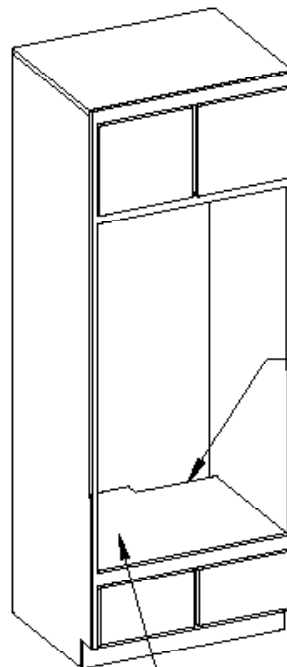
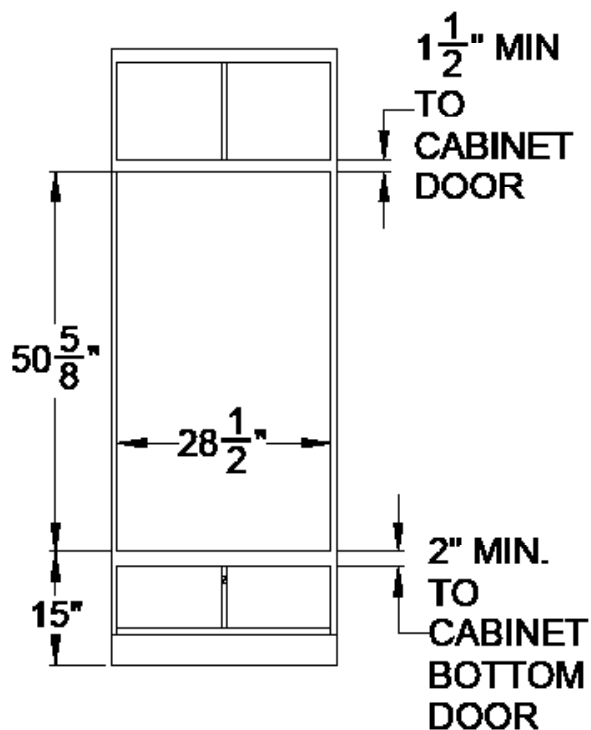
CUTOUT DIMENSIONS SINGLE WALL OVEN

INSTALLATION GUIDE AND
USE & CARE MANUAL



2" X 12" CUTOUT
TO ALLOW MOVEMENT
OF CONDUIT & WIRES
DURING OVEN
INSTALLATION

For all Single Wall Ovens



2" X 14" CUTOUT
TO ALLOW MOVEMENT
OF CONDUIT & WIRES
DURING OVEN
INSTALLATION

CABINET CUTOUT BASE
CAN BE REMOVABLE,
TO FACILITATE INSTALLATION
& ELECTRICAL CONNECTIONS
TO JUNCTION BOX

For all Double Wall Ovens



PICTURE SHOWS DOUBLE OVEN WITH FRENCH & CHEF DOORS, YOUR APPLIANCE MAY VARY

COOLING FAN

The cooling fan runs on all cooking modes. The fan can be heard when it is running and warm air can be felt as it release through the oven vent. The fan will continue to run after the oven mode is off.

OVEN VENT

The oven vent is located at the bottom of the appliance. Warm air may be released during and after cooking. **DO NOT** block the vent as it is important for air circulation.

CONVECTION FAN

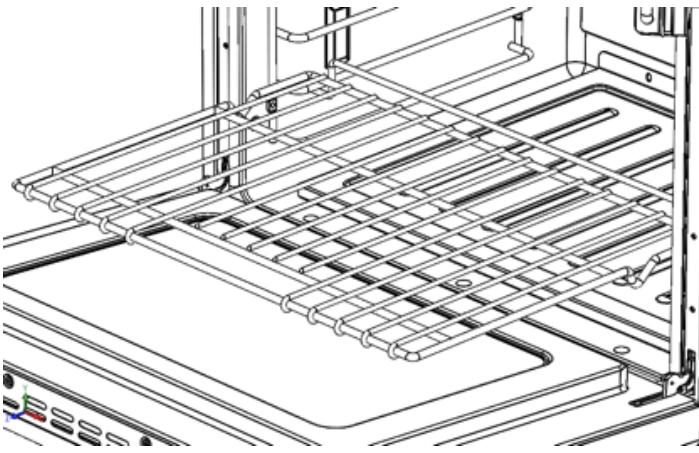
The convection fan operates during all convection modes and during the preheat cycle of cooking modes. it will run intermittently on ROAST.

OVEN BOTTOM

The oven bottom conceals the bake element. **DO NOT** place food directly on the oven bottom. **DO NOT** use aluminum foil or liners on the oven bottom, nor any part of the oven cavity.

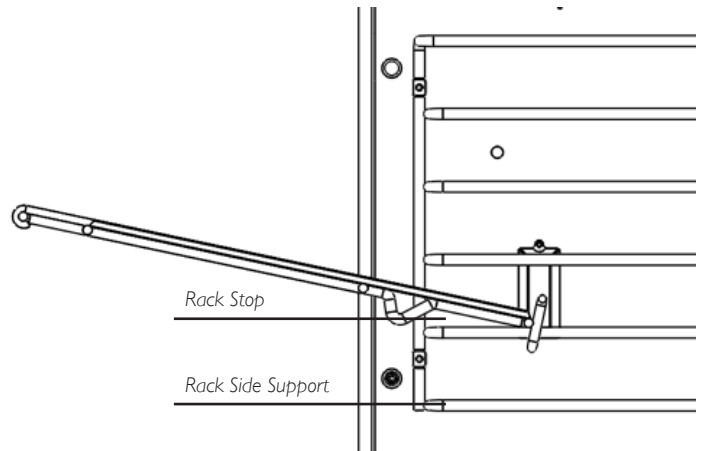
REMOVING AND REPLACING RACKS

STANDARD RACK



STEP 1

Place rack on the desired position as shown.



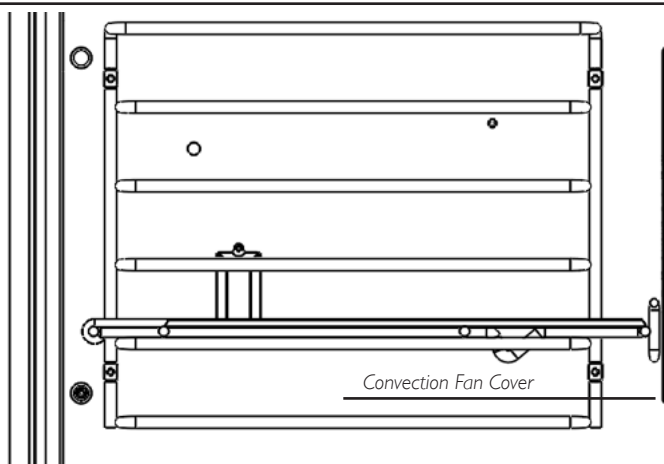
STEP 2

Tilt the rack front side slightly to clear the rack stop and slide towards the rear.

NOTE:

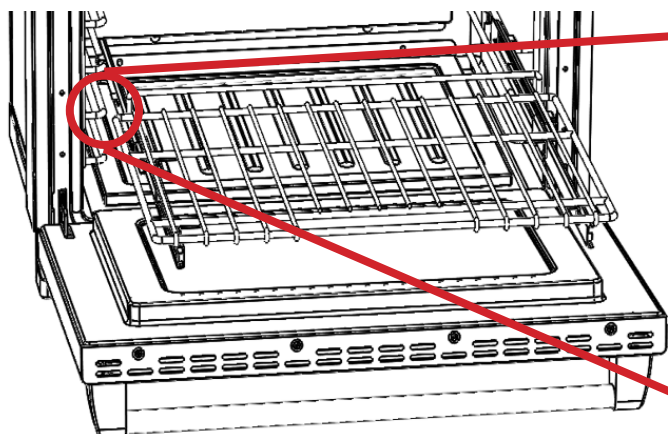
To remove rack during or after cooking, use dry oven mitts or pot holders. Hold the front side of the rack, and slide rack towards front until the rack stops hit the rack support rod. Slightly lift the rack front side, enough so that the rack stops clear the frame rods and continue to slide the rack towards front.

To replace rack or change rack position, follow steps above.



STEP 3

Lower the rack and push until it stops.

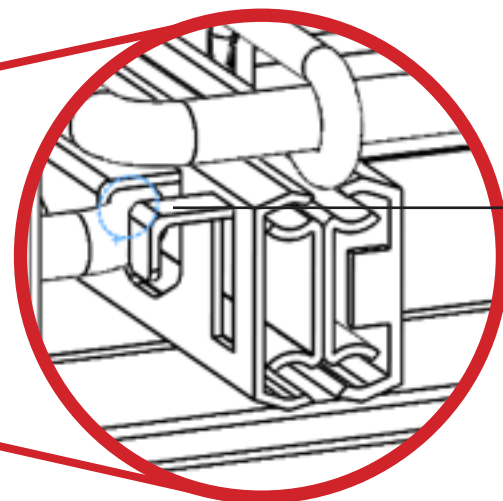
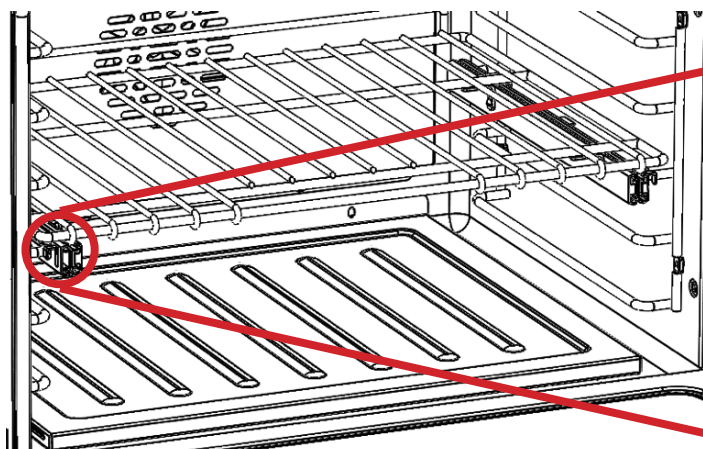


Rear Hang Tab

Rack Side Support

STEP 1

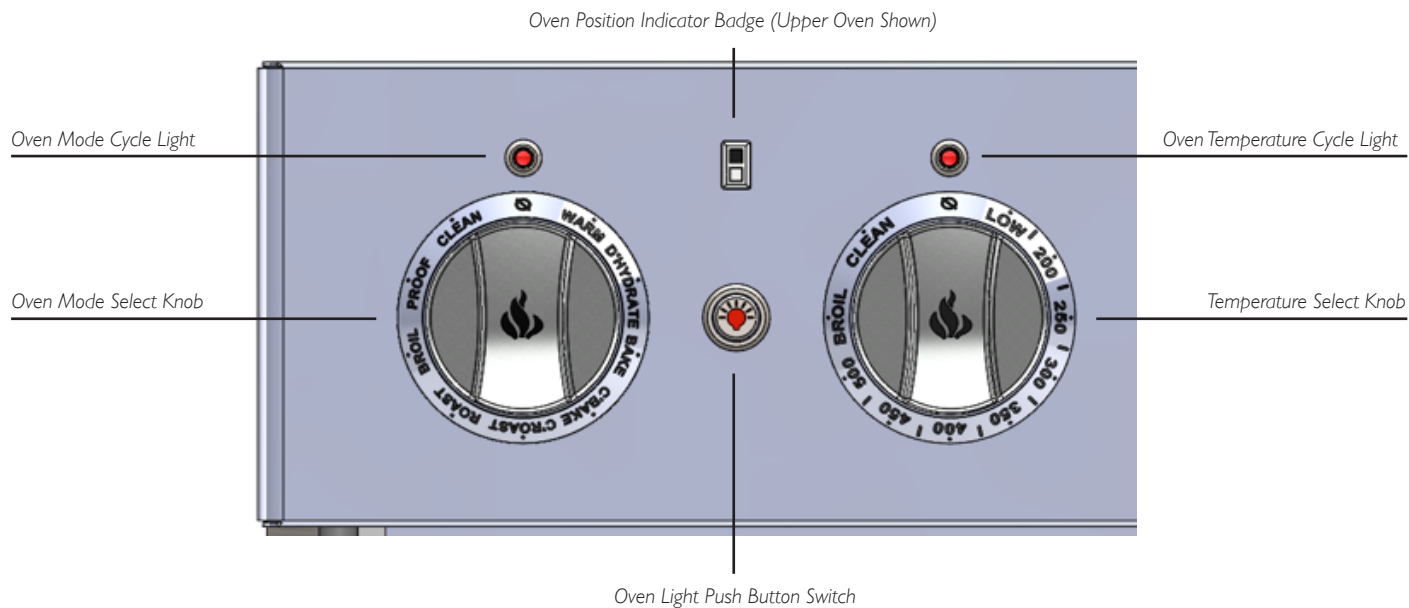
Extend the left and right glides at the same length, and hold rack and glides, one on each side. Choose rack position and locate rear hang tabs on the left and right glides and place on the left and right rack side supports.



Front Hang Tab

STEP 2

Push rack assembly in until the front hang tabs hit the front rods of the side supports. Slightly lift the front of the rack assembly, and slide in further until the rods are in between the openings on the front hang tabs. Push the front of the rack assembly down until the rack assembly is in-place.



WARM

Use mode to keep cooked food at serving temperature. Maximum temperature is 170°F. The convection fan is not used in this mode.

Rotate Mode Select Knob to WARM position and the Oven Mode Cycle Light shall turn on. Rotate Temperature Select Knob to any setting from LOW to 250°F and the Oven Temperature Cycle Light shall turn on. The Oven Temperature Cycle Light shall turn off when the oven reaches 170°F, and shall turn back on when the elements are energized again, to maintain the oven temperature.

Use a lid or aluminum foil to keep the food moist. DO NOT leave foods inside the oven for extended periods of time.

DEHYDRATE

Use this mode to dry or preserve fruits, vegetables and herbs. Maximum temperature is 135°F. The heated air is circulated by the convection fan.

Rotate Mode Select Knob to DEHYDRATE position and the Oven Mode Cycle Light shall turn on. Rotate Temperature Select Knob to any setting between LOW and 250°F and the Oven Temperature Cycle Light shall turn on. The bake element is energized and the convection fan runs continuously. The Oven Temperature Cycle Light shall turn off when the temperature reaches 135°F and shall cycle on and off, as the bake element energizes and de-energizes, to maintain the temperature inside the oven.

Drying times vary depending on the cut size, amount being dried, and moisture content. Refer to cook books, recipe books, packaging directions and the internet for Dehydrate Charts.

BAKE

Use this mode to prepare variety of foods using heated air in the oven. Refer to recipes or package directions for oven temperature settings, Preheat and baking times. With SMART Bake, multiple trays may be used.

Rotate Oven Mode Select Knob to BAKE position and the Oven Mode Cycle Light shall turn on. Rotate Oven Temperature Select Knob to the desired temperature and the Oven Temperature Cycle Light shall turn on. The upper and lower heating elements shall turn on and off, intermittently during the Preheat cycle. The Oven Temperature Cycle Light shall turn off when the desired temperature is reached. After Preheat, the lower heating element is energized on and off to maintain desired temperature. The Oven Temperature Cycle Light shall turn on or off with operation of the lower heating element.

Keep door closed to minimize heat loss. Use Oven Push Button Switch to turn on oven lights and see inside of oven without opening door.

CONVECTION BAKE

Similar to BAKE mode, except that a convection fan is used to circulate the heated air in the oven. Compared to BAKE, the temperature is lowered by 25°F, cook times may slightly decrease and multiple trays can be used. Refer to recipes or package directions for oven temperature settings, Preheat and baking times.

Rotate Oven Mode Select Knob to CBAKE position and the Oven Mode Cycle Light shall turn on. Rotate Oven Temperature Select Knob to the desired temperature and the Oven Temperature Cycle Light shall turn on and the convection fan turns on. The upper and lower heating elements and convection element shall turn on and off, intermittently during the Preheat cycle. The Oven Temperature Cycle Light shall turn off when the desired temperature is reached. After Preheat, the lower heating element and the convection element are energized on and off to maintain desired temperature. The Oven Temperature Cycle Light shall turn on or off with operations of the elements.

Keep door closed to minimize heat loss. Use Oven Push Button Switch to turn on oven lights and see inside oven without opening door. For best results, use shallow, uncovered pans and cookie sheets without sides.

CONVECTION ROAST

Uses the lower and upper heating elements and the convection fan element. Convection roast is usually done on large meat, poultry and vegetables. Refer to recipes or package directions for oven temperature settings, Preheat and roasting times.

Rotate Oven Mode Select Knob to ROAST position and the Oven Mode Cycle Light shall turn on. Rotate Oven Temperature Select Knob to the desired temperature and the Oven Temperature Cycle Light shall turn on and the convection fan turns on. The lower and upper heating elements and convection element shall turn on and off, intermittently during the Preheat cycle. The Oven Temperature Cycle Light shall turn off when the desired temperature is reached. After Preheat, the lower heating element and the convection element are energized on and off to maintain desired temperature. The Oven Temperature Cycle Light shall turn on or off with operations of the elements.

Keep door closed to minimize heat loss. Use Oven Push Button Switch to turn on oven lights and see inside oven without opening door.

ROAST

Uses the lower and upper heating elements. Roast is usually done on large meat and poultry. Refer to recipes or package directions for oven temperature settings, Preheat and roasting times.

Rotate Oven Mode Select Knob to ROAST position and the Oven Mode Cycle Light shall turn on. Rotate Oven Temperature Select Knob to the desired temperature and the Oven Temperature Cycle Light shall turn on. The lower and upper heating elements shall turn on and off, intermittently during the Preheat cycle. The Oven Temperature Cycle Light shall turn off when the desired temperature is reached. After Preheat, the lower and upper heating elements are energized on and off to maintain desired temperature. The Oven Temperature Cycle Light shall turn on or off with operations of the elements.

Keep door closed to minimize heat loss. Use Oven Push Button Switch to turn on oven lights and see inside oven without opening door.

BROIL

Uses intense heat from the upper heating element. Broil is usually done on thin slice(s) of meat, poultry and fish. Place food in the recommended rack position after the broil element has preheated. Refer to recipes or packages for directions on broiling. Always broil with oven door closed.

Rotate Oven Mode Select Knob to BROIL position and the Oven Mode Cycle Light shall turn on. Rotate Oven Temperature Select Knob to BROIL position and the Oven Temperature Cycle Light shall turn on. The upper heating element is energized continuously to maintain 550°F temperature.

Keep door closed to minimize heat loss. Use Oven Push Button Switch to turn on oven lights and see inside oven without opening door.

PROOF

Use to proof bread and other baked goods dough with yeast. Maximum temperature is 100°F. The convection fan runs continuously in this mode.

Rotate Mode Select Knob to PROOF position and the Oven Mode Cycle Light shall turn on. Rotate Temperature Select Knob to any setting from LOW to 250°F, the Oven Temperature Cycle Light shall turn on and the lower heating element is energized. The Oven Temperature Cycle Light shall turn off when the oven reaches 100°F, and shall turn back on when the elements are energized again, to maintain the oven temperature.

Keep the oven door closed. Use the oven lights to check the rising of the dough.

CLEAN

Use mode to clean the inside of oven regularly. Clean temperature is 500°F and clean time is 1 hour. The convection fan is not used on this mode.

Rotate Mode Select Knob to CLEAN position and the Oven Mode Cycle Light shall turn on. Rotate Temperature Select Knob to CLEAN the Oven Temperature Cycle Light shall turn on.

The porcelain finish inside the oven and oven doors that can be cleaned at a lower temperature and shorter period, compared to self-cleaning or pyrolytic ovens.

It is recommended that excessive spillage be removed before using the CLEAN mode. Use a wooden or soft plastic scraper for hardened spills. Spray water on encrusted food or dirt, if necessary.

It is not necessary to remove the oven racks and broil pans.

When CLEAN mode is finished and the oven has cooled down, wipe out surfaces with a damp towel. Remove stubborn stains using soft cleaning liquids and pads. Rinse and dry with a clean towel.

! CAUTION

Before doing any maintenance, disconnect power to the appliance and wait until the oven is cool.

! CAUTION

Handle the cover glass and halogen bulb carefully to avoid breaking. Broken glass may cause injury.

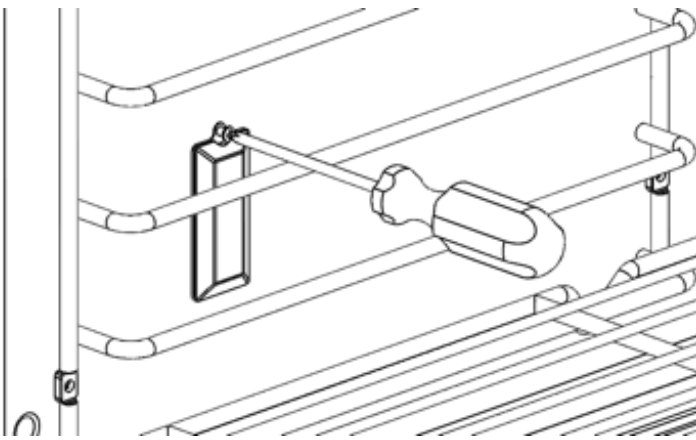
! CAUTION

Any maintenance on appliances with French doors must be performed by a qualified service technician. Improper handling and replacement of the doors may result in improper oven operation, door breakage and personal injury.

Always wait until the oven has cooled down before any cleaning and maintenance. Care must be taken when removing the Chef door as it is heavy and constructed with stainless steel front, glass and door liner with porcelain enamel finish.

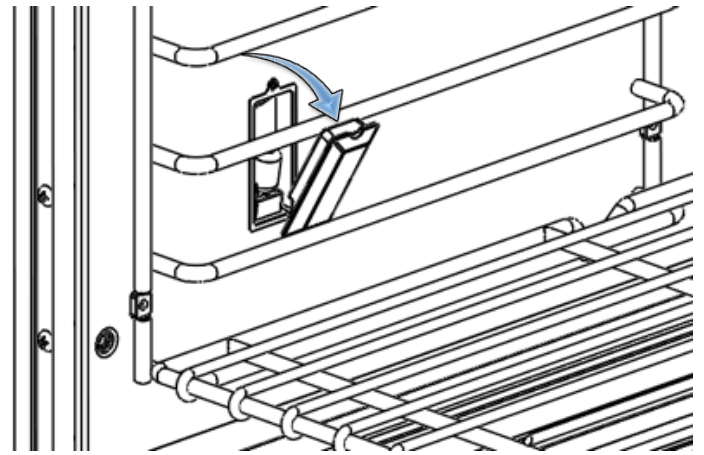
Grasp along the sides [TOP-LEFT & TOP-RIGHT] of the oven door when lifting. DO NOT lift using the door handle as the door may swing in your hand and cause injury.

Place the oven door on a flat surface away from a busy area. Use a clean rug or board to protect the door parts.



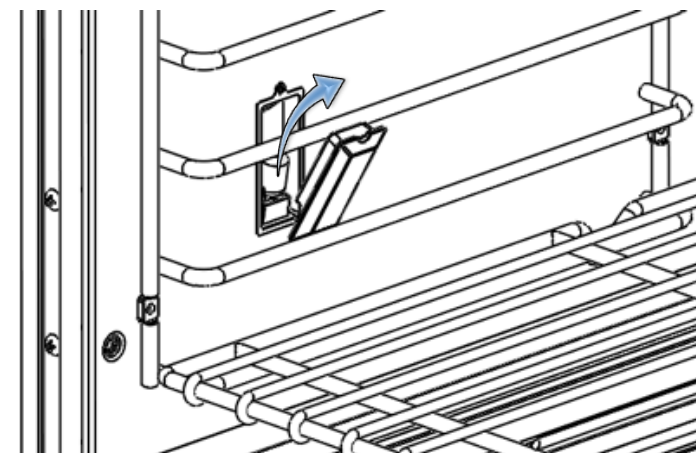
STEP 1

Remove the #6 Screw using a Phillips head Screwdriver.



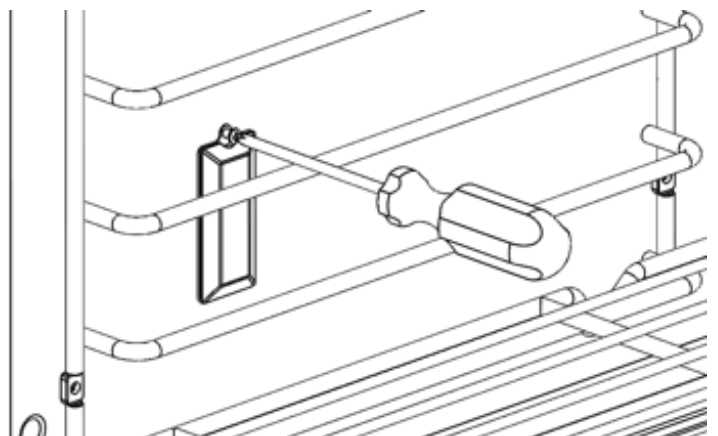
STEP 2

Remove the holding clips and glass cover to expose the halogen bulb.



STEP 3

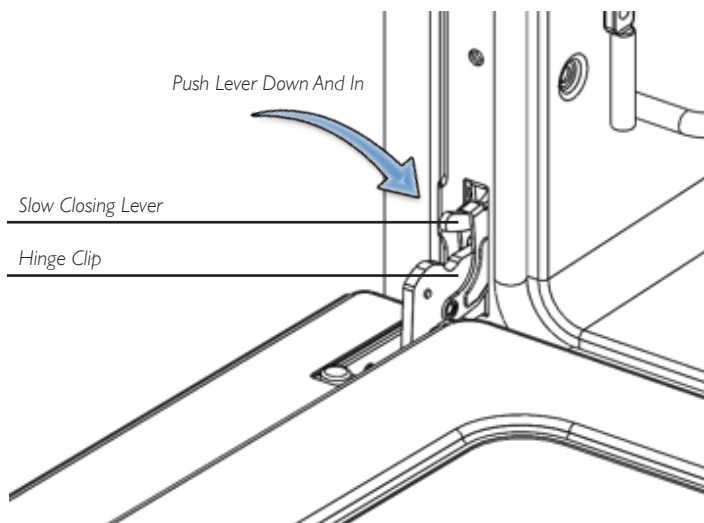
Pull the halogen bulb from its socket and replace bulb using a clean dry cloth. The halogen bulbs are available from local hardware and retail stores. Use 25W 120V halogen bulbs.



STEP 4

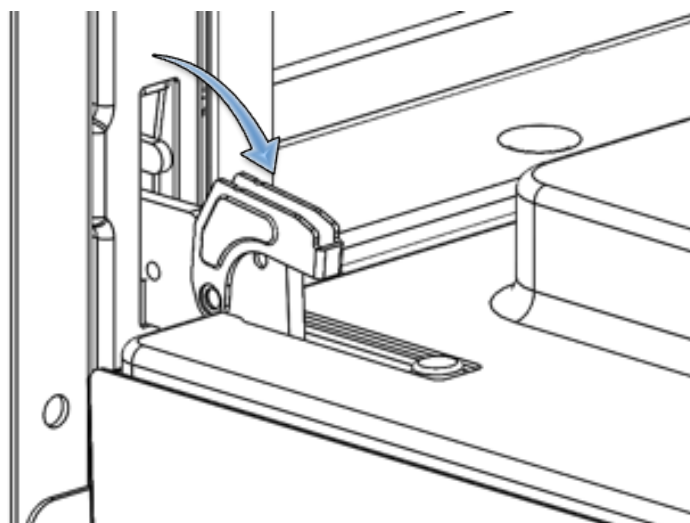
Replace the holding clips back into the light receptacle and insert cover glass until seated properly. Replace the screw and connect power back to the appliance.

CHEF (DROP DOWN) DOOR



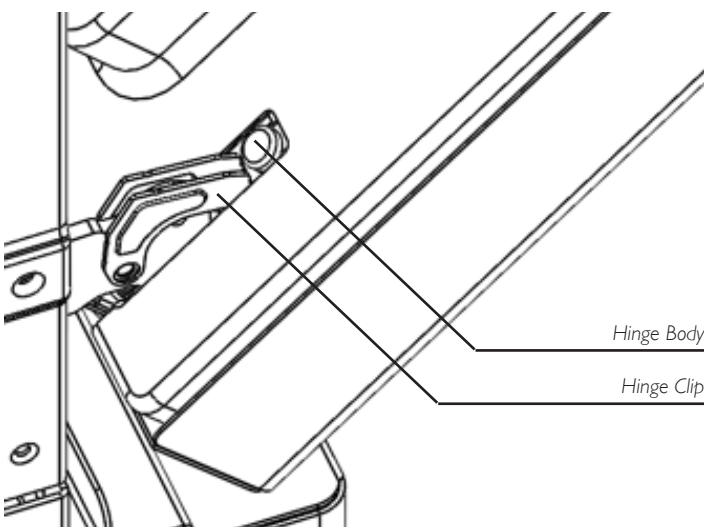
STEP 1

Open the oven door completely. The left door hinge is equipped with a slow closing lever. The lever should be pushed down to release the hinge clip.



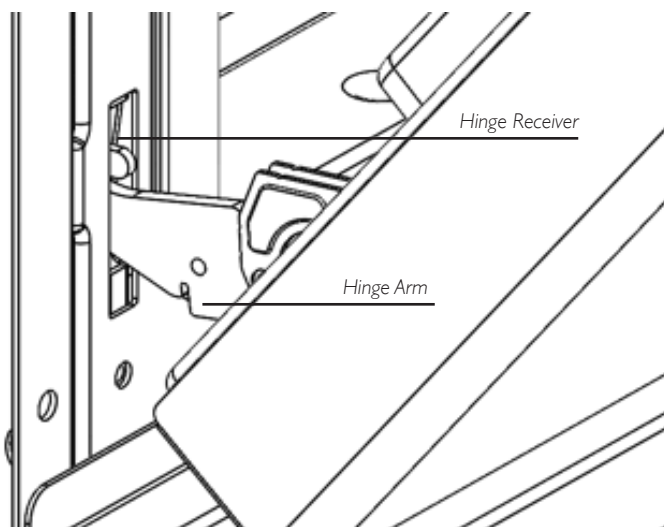
STEP 2

Rotate the hinge clip towards you until it completely stops. Repeat on the right door hinge.



STEP 3

Slowly close the door until the left and right door hinge bodies are engaged with the hinge clips and door tops momentarily.



STEP 4

Continue to close the door and you will feel a slight lift. Hold the door firmly along the sides and lift slowly until the left and right door hinge arm unhooks from the hinge receivers. Pull the door away from the oven.

TO REPLACE DOOR

Refer to steps above [reversely].

1. Holding the door firmly on both sides, slowly move the door towards the hinge receiver opening and hook the hinge arms into the hinge receivers. Check for alignment. DO NOT move the hinge clips until the hinge arm is properly seated into the hinge receivers.
2. Open the door completely.
3. Push levers towards the oven until stop.
4. Close door. Observe that the door will close slowly at the top end.

! WARNING

Follow all safety instructions in this manual.

Failure to do so may result in fire, electrical shock, personal injury and death.

It is recommended that electrical connections and wire sizes are adequate and in conformance with the National Electrical Code, ANSI/NFPA 70-latest edition or C22.1 Canadian Electrical Code Part I.

The oven must be connected to a main power supply with proper electrical voltage and amperage as specified in the Electrical Requirements or model/serial number rating plate. The junction box located near the oven must be checked by a certified electrician or approved service technician for proper grounding and connections.

! WARNING

Disconnect power before installation or servicing. Check for proper grounding.

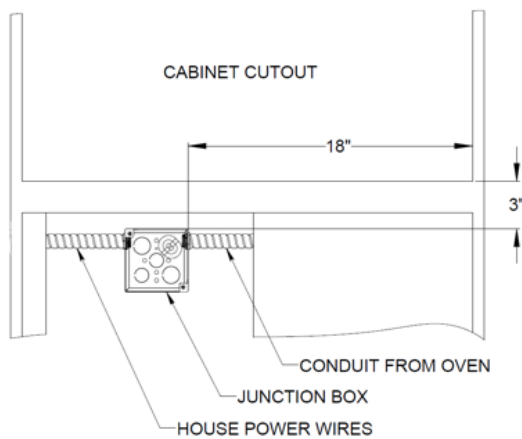
Failure to follow safety instructions can result in fire, electrical shock and death.

Ovens are heavy and may need 2 or more people to move and install into the cabinet cutout. Appliance mover, with wheels or casters, is recommended to facilitate movement of the appliance and prevent damage to floor surface.

Failure to follow safety precautions can result to back or other injury.

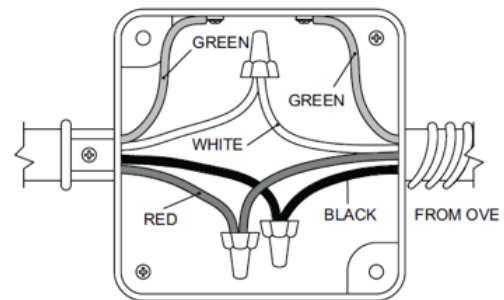
MAKE ELECTRICAL CONNECTIONS

1. Disconnect power. Lock and tag-out.
2. Install junction box. For single & double oven cabinet installation, the junction box location:



3. Move the oven with flexible conduit/wires close to the cabinet cutout and feed the wires and conduit through the rectangular cutout located at the rear end of the cabinet cutout base.

4. Feed the wires in to the junction box and connect the conduit to the junction box using agency 1/2" conduit connector.



5. Connect the 2 black wires together using a UL listed wire connector.
6. Connect the 2 red wires together using a UL listed wire connector.
7. Connect the 2 white wires together using a UL listed wire connector.
8. Connect the solid copper wire to the green or bare ground wire with a UL listed wire connector, or use the screw(s) in the grounded junction box.
9. Install junction box cover.

! WARNING

Ovens are heavy and may need 2 or more people to move and install into the cabinet cutout. Appliance mover, with wheels or casters, is recommended to facilitate movement of the appliance and prevent damage to floor surface.

Failure to follow safety precautions can result to back or other injury.

MAKE OVEN INSTALLATION

1. Rotate oven so that the back side is facing the cabinet cutout. Push the oven in to the cabinet cutout until the front side frames are flushed to the cabinet.
2. Securely fasten the oven to the cabinet using the #8 X 1" screws (supplied with appliance). Use 2 for single ovens and 4 for double ovens.

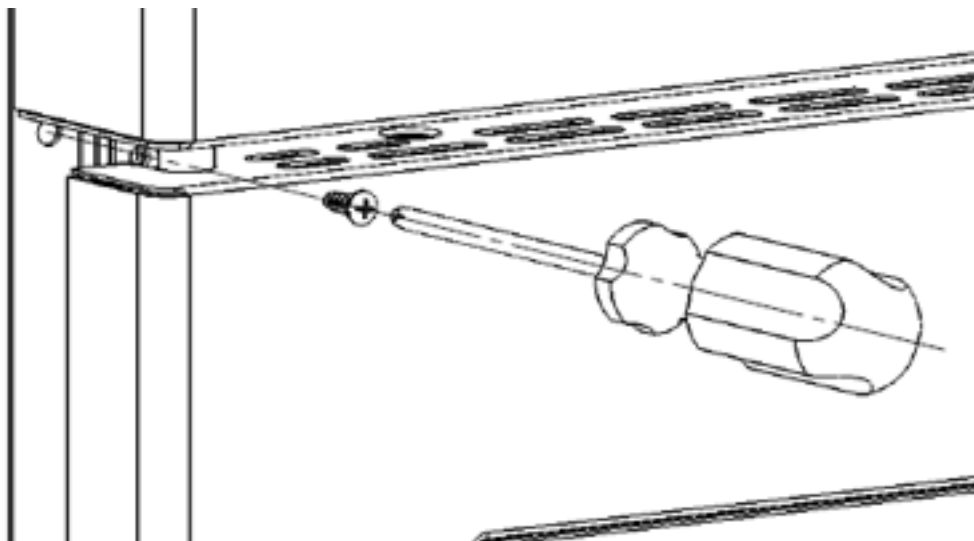
WARNING

Ovens are heavy and may need 2 or more people to move and install into the cabinet cutout. Appliance mover, with wheels or casters, is recommended to facilitate movement of the appliance and prevent damage to floor surface.

Failure to follow safety precautions can result to back or other injury.

INSTALLATION

1. Disconnect power.
2. Move the appliance adjacent the cabinet cutout, with the conduit and wires as close as possible to the cabinet cutout.
3. Feed the wires and the conduit through the 1-1/2" hole located at the bottom right rear corner of the cabinet cutout.
4. Rotate the oven so that the back side is facing the cabinet cutout. Push the oven in to the cabinet cutout until the front side frames are flushed to the cabinet. Pull the wires and conduit while pushing the oven.
5. The junction box should be located on the right side cabinet. Feed the oven wires in to the junction box and connect the conduit using an agency approved 1/2" conduit connector.
6. Connect the 2 black wires together using a UL listed wire connector.
7. Connect the 2 red wires together using a UL listed wire connector.
8. Connect the 2 white wires together using a UL listed wire connector.
9. Connect the solid copper wire to the green or bare ground wire with a UL listed wire connector; or use the ground screw(s) in the grounded junction box.
10. Install junction box cover.
11. Securely fasten the oven to cabinet using the #8 X 1" screws provided.



UPON COMPLETION OF INSTALLATION, THE QUALIFIED INSTALLER SHOULD PERFORM THE FOLLOWING PERFORMANCE CHECKS:

- Check BAKE operation by rotating oven control knob counterclockwise to any cook mode. The power indicator light should turn on. Rotate the temperature knob counterclockwise to any setting. The cycle indicator light should turn on and the hidden element shall start to heat up.
- Check BROIL operation by rotating oven control knob to BROIL. The power indicator light should turn on. Rotate the temperature knob to BROIL. The cycle indicator light should turn on and the radiant element shall start to heat up.
- Check oven lights operation by pressing the oven light switch. The oven lights should turn on. Press again to turn off.
- Check convection fan operation by rotating the oven control knob to either C'BAKE or C'ROAST. The power indicator light should turn on. Rotate the temperature knob to 350° and the cycle indicator light turn on. The convection fan should rotate and the convection element shall start to heat up.

APPLIANCE SHOULD BE TURNED OFF UPON COMPLETION OF ABOVE.

FINAL PREPARATION & PRECAUTIONS

Some Stainless Steel parts may still have the protective film. They should be peeled off carefully prior to oven use. To clean Stainless Steel surfaces, we recommend using warm soapy water and soft clean cloth. You may also use liquid cleaner for Stainless Steel surfaces that are available from local stores.

To remove dry encrusted materials, soak the area with warm soapy water or damp cloth and use wooden or nylon scraper. It is advisable to follow the direction of the Stainless Steel grain when cleaning.

DO NOT USE STEEL WOOL, ABRASIVE CLOTHS, CLEANERS OR POWDERS WHEN CLEANING STAINLESS STEEL SURFACES. DO NOT USE METAL KNIVES, SPATULAS OR OTHER METAL TOOLS TO REMOVE ENCRUSTED MATERIALS.

The interior of the oven may be cleaned with warm soapy water and soft clean cloth. Rinse thoroughly and dry with soft cloth.

CAUTION

Check your local building codes for proper installation methods. In the absence of local codes, the appliance should be installed in accordance with the National Electrical Code ANSI/NFPA No. 70 current issue, or C22.1 Canadian Electrical Code Part I.

CAUTION

For personal safety, this appliance must be connected to a properly grounded and polarized electrical power supply. If only a two-prong outlet is available, it is the customer's responsibility to have it replaced with a dedicated, grounded, three-prong electrical outlet by a licensed technician.

- Do not cut or remove the third (ground) prong from the power cord
- Do not use an adapter plug
- Do not use an extension cord
- Do not use a power cord that is frayed or damaged
- Do not plug the appliance into an electrical outlet with a Ground Fault Circuit Interrupter (GFCI)

DANGER

To avoid the possibility of explosion or fire, do not store or use combustible, flammable or explosive liquids (such as gasoline) or vapors inside or in the vicinity of this or any other appliance. Keep items that could explode, such as aerosol cans, away from the product. Do not store explosive or flammable materials in nearby cabinets or areas.

When operating the oven, do not touch the surfaces of the glass, the rack or rack supports, the walls of the oven or the inside surfaces of the oven door - interior surfaces become hot enough to cause burns. The heat deflector, which deflects heat away from the control panel, and the oven door sides will also be hot during use.

DANGER

Do not store items of interest to children above or near the appliance. Children, as well as adults, should never be allowed to sit, stand or climb on any part of the appliance. Serious personal injury may occur.

WARNING

Any service to the appliance must be performed by a certified electrician or service agency. If it necessary to disconnect power to the appliance, it should be switched off in the main electrical panel to the house.

WARNING

If not installed, operated and maintained in accordance with the manufacturer's instructions, this product could expose you to fuel or fuel combustion substances, which can cause death or serious illness, which are know to the State of California to cause cancer, birth defects or other reproductive harm.

The State of California enacted the California Safe Drinking Water and Toxic Enforcement Act of 1986, (Prop. 65), which "prohibits any person in the course of doing business from knowingly and intentionally exposing any individual to a chemical know to the State of California to cause cancer or reproductive toxicity without first giving clear and reasonable warning to such individuals." The Governor's Scientific Advisory Panel added carbon monoxide to the list of hazardous chemicals known to cause reproductive harm.

In order to establish full compliance with Proposition 65, a yellow warning label has been attached to each gas-fired unit manufactured by The Company. Carbon monoxide would not be present in concentrations that would pose a "significant risk" to the consumer when the equipment is installed, operated and maintained as follows:

1. Installed in accordance with all local codes, or in the absence of local codes, with the current National Fuel Gas Code ANSI Z223.1 Latest Addenda.
2. Installed under a properly designed and operating exhaust hood.
3. Connected to the type of gas for which the unit is equipped.
4. Proper appliance pressure regulator installed on the gas supply line and adjusted for the manifold pressure marked on the rating plate.
5. Adequate air supply to the unit.
6. The equipment is operated in a manner intended and using the proper utensil for that type of appliance.
7. Keep the equipment clean and have it checked periodically.
8. Burner air adjustments, mechanical maintenance and repairs must be performed by qualified service personnel.

RESIDENTIAL APPLIANCES TWO YEAR LIMITED WARRANTY*

American Range (hereafter AMR) hereby provides the following warranty to the original residential user ("Owner") for its new RESIDENTIAL Product(s) to be free from defects in material and workmanship in normal household use for the Warranty period(s) set forth below, beginning from the date that power and/or gas is turned on with proof of installation. Without proof of installation, the beginning is from time of purchase under the terms and conditions as follows: Proof of original purchase date is required to obtain service under this limited warranty.

This Warranty is applicable only on new AMR residential Products and is non-transferable.

This Warranty is not applicable to AMR commercial Products. This Warranty is strictly limited to Products sold to the original Owner in the United States or Canada, and said Owner shall not be entitled to transfer this Warranty to third parties. This Warranty is also not applicable on AMR residential Products that are used for commercial purposes, including without limitation, vacation rentals, fire stations, clubs, government facilities, non-profit groups, bed and breakfast facilities, and board & care facilities, and any home based business whereby AMR products are utilized for a commercial, non-household purpose. Residential products should not be used in a commercial environment.

Warranty Period: For all Product(s) properly registered with AMR, with proof of purchase and within ninety (90) days from the date of purchase, a two year warranty* is in effect subject to the terms and conditions herein.

However, in the event that Owner fails to promptly register the Product(s) with AMR within ninety (90) days of the date of purchase, the Warranty period shall be strictly limited to a period of one year for parts and labor, from the date of purchase. Proof of purchase is required for all claims under this Warranty.

*Igniters limited to a one year warranty, from the date of purchase. Proof of purchase is required for all claims under this Warranty. Two Year Warranty applies only to purchases made after May 1, 2018, with a serial number of 180101-100 or higher.

Exceptions to the Warranty: Rubber seals, light bulbs, and gaskets are covered for a period of ninety (90) days only. Oven glass, porcelain, and Products that are not defective, but that require adjustments for normal wear and tear are expressly excluded from this Warranty.

Warranty Claims: In the event of a claim for repair of the Product(s), and to obtain warranty service, Owner must contact either (i) the dealer from whom the product was purchased; (ii) an authorized AMR service agent; or (iii) AMR Residential service support at 1-888-753-9898. You will be asked to provide a model and serial number, and date of original purchase.

AMR shall provide all new replacement parts and all repair labor under the Warranty.

Under the terms of this Warranty, service must be performed by a factory authorized AMR service agent/representative, and approved in advance by AMR. AMR shall not be responsible for labor costs that have not been pre-approved, with written confirmation by AMR. Note that service providers are independent entities and not affiliated with AMR. Travel expenses from the factory authorized service agent to the product location are limited to 25 miles each way. For greater distances, either have the product delivered to the servicer; make separate travel arrangements, or pay for the additional servicer travel. All repair services shall be provided during normal business hours. AMR will not be responsible for premium time or overtime charges for labor covered under this warranty or for repairs made without AMR authorization. Such charges shall be the responsibility of the Owner.

Limitation of Warranty: AMR shall have no obligation under this Warranty as to any Product(s) which have been misapplied, mishandled, abused, misused, modified, altered, subject to improper cleaning methods, subject to harsh chemical action, modified by unauthorized service personnel, damaged by accidents, flood, fire, smoke, public unrest, earthquake, tornado, hurricane, other acts of God, Owner negligence, reasons beyond the control of AMR, failures due to improper installation, insufficient gas or electrical supply, problems due to improper ventilation, or removed/altered serial numbers. Any damage due to water, chemical, or direct contact to infrared burners will also not be covered under this Warranty. This Warranty shall be void if the Product(s) are not properly installed by a licensed plumber, and not properly calibrated for electrical and gas connectivity, gas line size, correct pressure, and properly leveled. Additionally, AMR factory recommended cleaning instructions must be followed by Owner at all times or this Warranty shall be voided by AMR. All delivery, installation, labor costs and other service costs are the responsibility of the purchaser.

Dealer display, model home display and products sold "as-is" have the following warranty:

- 1 year parts only warranty, if the manufacture date is less than 3 years old.
- Excludes items that are: missing; cracked; aesthetic; broken; dented; frayed.

Except as stated herein-above the dealer display and model home display goods are being sold on an 'as-is' or 'with all faults' basis. Except as stated, the entire risk as to the quality and performance of the goods is with the buyer. Additionally, except as stated, should the goods prove defective following their purchase, the buyer and not the manufacturer, distributor, or retailer assumes the entire cost of all necessary servicing or repair.

THIS WARRANTY IS LIMITED AND MADE IN LIEU OF ANY AND ALL OTHER SUCH WARRANTIES EXPRESSED OR IMPLIED, INCLUDING WITHOUT LIMITATION, ANY IMPLIED WARRANTY OF MERCHANTABILITY OR FITNESS FOR A PARTICULAR PURPOSE. THE ENTIRE LIABILITY OF AMR IS SET FORTH HEREIN THIS WARRANTY. OWNER SPECIFICALLY UNDERSTANDS AND ACKNOWLEDGES THAT THERE ARE NO WARRANTIES, EITHER EXPRESSED OR IMPLIED HEREUNDER OTHER THAN THE WARRANTIES WHICH ARE SPECIFICALLY STATED HEREIN. SAID OWNER SHALL NOT RELY ON ANY OTHER ASSERTIONS, REPRESENTATIONS OR STATEMENTS BY AMR OR ITS AGENTS, OTHER THAN THOSE SPECIFICALLY EXPRESSED IN THIS WARRANTY.

AMR'S LIABILITY ON ANY CLAIM OF ANY KIND IS EXPRESSLY LIMITED AND SHALL NOT EXCEED THE WHOLESALE PRICE OF THE PRODUCT(S) OR PART(S) THEREOF THAT GIVE RISE TO SUCH CLAIM.

Failure by AMR to enforce any of its rights under this Warranty shall not be construed as a waiver of those rights. AMR specifically reserves the right to investigate and verify all claims to determine the validity of the claim and the claimant's qualifications under this Warranty. AMR reserves the right to refuse Warranty service in the event that AMR determines that a claimant's right to the Warranty is inapplicable under the terms and conditions herein.

AMR is not responsible for consequential or incidental damage whether arising out of breach of warranty, breach of contract, tort, or any other legal theory, including without limitation, property damage, bodily injury, loss of use, and/or lost profits. This Warranty gives the Customer certain legal rights. The customer may also have other legal rights which vary from state to state. Some states do not allow limitations on how long an implied warranty lasts, or do not allow the exclusion or limitation of incidental or consequential damages. If such laws apply, the limitations or exclusions contained in the terms and conditions of this Warranty may not apply to all such Owners.

AMR expressly reserves the right to make changes to their Warranty policy before or after purchase by the Owner.

	LEGACY SERIES - GAS WALL OVENS				
DESCRIPTION	SEF-30	SEC-30	DEF-30	DEC-30	DEFC-30
Oven Racks (STD / SLIDE)	1/1	1/1	2/2	2/2	2/2
Control Knobs	2	2	4	4	4
Regis. Card	1	1	1	1	1
U&C Manual	1	1	1	1	1

HOW AND WHEN TO COOK ON STANDARD BAKE MODE

1. Bake - The standard Bake mode is best used for roasting, or single rack applications. If you wish to cook on multiple racks, use convection for terrific results.

OPERATING INSTRUCTIONS

WHAT IS THE CONVECTION COOKING PROCESS?

- Convection is the process of cooking with hot air that is mechanically circulated by a fan in a continuous pattern around the food.
- Cooking results can be faster than cooking charts suggest and food should be checked for doneness perhaps five to fifteen minutes early.
- Oven temperatures should be lowered 25°F in most cases.
- Multiple racks of food can be cooked at the same time with even browning and even cooking times.

Other Features:

- This oven can be used at low temperatures to dehydrate food, warm plates or for very slow cooking at a low heat.

Oven Racks: Each oven is supplied with two heavy chrome-plated adjustable oven racks.

Rack Supports: On each side of the oven, heavy chrome-plated rack supports allow five positions, numbered from the bottom up.

Oven Control Knob: The oven control knob is used to set the Baking temperature or to select the Broil function. During baking, the convection fan may be activated.

Broil Burner Igniter: The igniter glows a very hot, bright red-orange color, reaching proper ignition temperature to light the Ceramic Tile Infrared Broil Burner.

ELECTRIC OVENS

Broil: Ribbon element located in the oven ceiling, becomes red hot in just a few seconds.

Bake: A ribbon element, below the floor of the oven when the element cycles "ON."

Selector Switch and Indicator Light: Rotate this knob from the OFF position and select Convection Bake, Standard Bake, Fan-Only, or Broil modes. In any mode position, the Indicator Light glows indicating the Oven is ready to operate. When you're done, always rotate the knob to the OFF position.

Oven Thermostat Knob: Thermostat Temperature Selection - Select your desired temperature.

On Indicator Light: Whenever an oven heat source is activated (either Bake or Broil), the "on" indicator will glow. It is normal for the indicator light to cycle off and on during baking or broiling – showing that more heat is being applied.

Door Gasket: The door gasket is made from high temperature materials and creates a seal between the hot oven and the cool kitchen.

Convection Fan and Switch: Operated by the front panel switch, the convection fan circulates oven air, removing the "thermal boundary layer" on items being baked – and in doing so – speeding up heat transfer and cook time by as much as 25%. Convection is active only during baking.

Oven Light and Switch: A single lamp is provided in the oven to illuminate baked and broiled food items, as well as shed some light on the wall to help during clean-up – activated by the front panel switch.

OVENS 101

The oven is a temperature controlled cooking cavity which is highly insulated to keep the kitchen cool and the food hot. The oven contains two heat sources: Bake, positioned below the oven floor; and Broil, located in the ceiling of the oven. Bake and Broil are very different cooking operations and the burners are designed to deliver energy in a way appropriate to the task.

There are two types of baking - called Standard Bake (or conventional) and Convection Bake. Standard baking make the best use of Grandma's cookie, cake or pie recipes – such as Bake at 350°F for forty-five minutes – to get the job done. These recipes are tried and true – conventional or standard bake will deliver wonderful performance for roasting.

In convection cooking, not only is the cook time faster; but also, the oven temperature is more even, top to bottom and side to side - so cookies on several racks will have the same brown color and texture. Food does not need to be rotated to get uniform color. However, to best take advantage of convection, use low, shallow bake ware so that moving air can get over the sides and up to the food surface.

TO USE THE "PROOF" FEATURE:

- The lower oven of a double oven unit is equipped with a "Proof" feature. When placed in the proof mode the oven maintains a warm, non-drafty environment useful for proofing yeast-leavened baking products. The oven is heated by a ceiling mounted electric heating element and specially designed reflector assembly.
- It is recommended to proof on the lowest rack position, so place an oven rack on the bottom rack position before turning the oven to "Proof."
- To set the lower oven for proofing, simply rotate the lower oven selector switch to the "Proof" setting. The indicator lights above the selector switch and the thermostat dial will turn on. Turn the lower oven thermostat dial to "Proof".
- The ideal temperature for proofing will be maintained until the selector switch is rotated to the OFF position.
- Set a minute timer for the minimum proof time and place the product to be proofed on the lower rack. Do not open the oven door unnecessarily, as doing so will lower the oven temperature and increase proofing time.
- Do not use the "Proof" mode for warming food or keeping food hot. The proofing feature will not keep the oven hot enough to hold foods at safe temperatures (above 140°F).
- If the "Proof" temperatures are too high, the oven cavity lamps can be used to create even lower temperatures - ranging from room temperature to 80°F - 85°F. Simply turn on the lamp and close the door.

COOKING CHARTS

BAKING CHART

FOOD	TRADITIONAL TEMPERATURE	TRADITIONAL TIME	INNOVECTION CONVECTION TEMPERATURE	INNOVECTION CONVECTION TIME
Yeast bread	375°F	30 - 35 minutes	350°F	25 - 35 minutes
Quick bread	375°F	30 - 35 minutes	350°F	20 - 25 minutes
Muffins	375°F	15 - 20 minutes	350°F	12 - 15 minutes
Angel food cake	375°F	35 - 45 minutes	350°F	30 - 35 minutes
Bundt cake	350°F	45 - 50 minutes	325°F	35 - 40 minutes
Sheet layer 9"x13"	350°F	40 - 50 minutes	325°F	30 - 35 minutes
Cake, layer round 8" or 9"	350°F	30 - 35 minutes	325°F	25 - 30 minutes
Cookies/choc chip	375°F	10 - 12 minutes	350°F	8 - 10 minutes
Pie shell	425°F	10 - 12 minutes	400°F	7 - 9 minutes
2 crusts fruit pie	375°F	55 - 60 minutes	350°F	50 - 55 minutes
Custard	350°F	35 - 40 minutes	Not recommended	--
Baked potato	375°F	60 - 75 minutes	350°F	50 - 55 minutes
Lasagna	375°F	55 - 60 minutes	350°F	45 - 50 minutes
Soufflé	350°F	45 - 50 minutes	325°F	35 - 45 minutes
Quiche	400°F	25 - 30 minutes	Not recommended	--

ROASTING CHART				
FOOD	TRADITIONAL SETTING	INNOVECTION CONVECTION SETTING	ROAST TIME MIN./LB.	INTERNAL TEMPERATURE
Beef rib roast	325°F	300°F	20 min. / lb. 25 min. / lb. 30 min. / lb.	Rare - 140°F Med. - 155°F Well - 170°F
Beef tri tip	325°F	300°F	30 min. / lb.	Med. - 155°F
Leg of lamb	325°F	300°F	30 min. / lb.	Med. - 145°F
Pork loin	325°F	300°F	35 min. / lb.	Med. - Well 170°F
Chicken - whole	350°F	325°F	25 min. / lb.	170°F breast 175°F thigh
Stuffing				165°F
Turkey - unstuffed	325°F	300°F	9-12 min. / lb.	165°F breast 175°F thigh

Whole, unstuffed poultry such as chicken and turkey should be placed on rack one or two with the legs and cavity opening, pointing towards the back of the oven.

TO USE THE BROILER:

- When using broil, the rack position depends on the food, and the thickness of the meat. Rack position one is at the bottom of the oven, and the positions number up as a ladder with six being at the top.
- The oven door remains closed during broil.
- Most broiling uses rack positions three or four counting from the bottom.
- Turn selector to broil.
- Push in oven knob and turn to the broil setting, the blue indicator light will come on.
- When the broiler is hot the light turns off.
- When inspecting the food, open the oven door no more than two inches. For best results, broil small, flat cuts of meat such as steaks, hamburgers, chops or boneless chicken breasts.

BROILING CHART			
FOOD	WEIGHT & SIZE	RACK	TIME
Steak	12 oz. and 1"	3	Rare - 10 minutes Med. - 12 minutes Well - 15 minutes
Hamburger	4 oz. and 1/2"	4	10 minutes
Chicken pieces	1 lb.	3	15 to 20 minutes
Pork chops	1 lb. and 3/4"	3	14 minutes
Salmon steak	1 lb.	4	8 to 10 minutes

DRYING AND DEHYDRATING

The United States Department of Agriculture advises: DO NOT hold foods at temperature between 40°F to 140°F more than two hours – and cooking raw foods below 275°F is not recommended. The low setting of the oven (ranging from 150°F to 225°F) may be used to keep food hot and in special recipes, used to dehydrate fruits and vegetables.

During dehydration, the convection fans circulates hot air over the food, causes moisture to escape from the food surface – generally drying it out. This removal of water inhibits growth of microorganisms and slows down the activity of enzymes. Starting with only the freshest, best quality food items, prepare as directed and:

- Place the food on drying racks spaced evenly in the oven cavity.
- Set the temperature control to 200°F and switch on the convection fan.
- Remember to periodically check the food items for dryness state.

DEFROST

It is best to defrost in the refrigerator, but sometimes it becomes an issue of speed.

TROUBLESHOOTING GUIDE		
PROBLEM	POSSIBLE CAUSE	WHAT TO DO
Oven will not heat	No electrical power to the oven	Check circuit breakers in house
Oven light does not work	Light switch is in the off position Light is burned out	Try switching the light on Locate and test a new replacement light, unscrew glass lens, remove bad light, replace
Convection fan does not turn	Switch the fan on Unit in broil mode Bad fan	Adjust oven selector switch to Convection. Turn thermostat to bake temperatures. Call for service
Condensation on the oven window	Cold appliance	It is normal for some condensation to appear on the window; it will disappear in about ten minutes.
Foods over-cook	Incorrect temperature cooking time, or rack position. Temperature differs from your previous oven. Oven not pre-heated	Reduce cooking time, or temperature. This modern appliance operates at the set temperature. You may want to reduce the set temperature until you become more familiar with your new oven. Allow pre-heat cycle to complete.
Foods under-cook	Incorrect temperature, cooking time or rack position	Adjust accordingly
Baked goods dark on bottom	Dark colored cookie sheets	Use light-colored cookie sheets

CARE AND CLEANING

It is always easier to clean as you go – and while some evenings you'd rather sit down with a good book instead of a Scrubbie, keeping your appliance in a ready-to-go state for the next meal makes everything a little more tolerable.

When cleaning the extension:

- Use the mildest procedure that will do the job efficiently and effectively – and since some cleaners are harsher than others, it is best to try them on a small, inconspicuous area first.
- Use only clean, soft cloths, sponges, paper towels, plastic brushes, non-metal soap pads for cleaning and scouring.
- When cleaning the oven door, control panel, curved sections or the flat top area – always pretend it is made of wood – and rub the finish in the direction of the grain. This is the most effective cleaning direction, to prevent marring the surface.
- Any part of this appliance can be cleaned with hot, sudsy water. When rinsing is required, rinse thoroughly.
- Always wipe dry immediately to reduce the appearance of water marks.

TO CLEAN THE OVEN INTERIOR

The oven cavity is porcelainized with Chrome rack guides and racks. The infrared broiler does not need to be cleaned. Any soil is burned off by the intense heat.

- Place a medium glass baking dish filled with one quart of water, in the oven. Close the door and bake at 225°F for an hour or two. Allow to cool until safe, wipe with a damp cloth, then dry. This process softens the soil for easier removal.
- Wash the interior of the oven with soap and water. Make a paste with baking soda and water; and using a sponge or nylon pad, rub away stubborn stains.
- Use mild scrubbing compounds such as Bon Ami or Cameo, if necessary.
- Do not use steel wool pads or abrasive sponges or scrubbers.
- If necessary, spray on oven cleaner can be used.
DO NOT SPRAY OVEN CLEANER INTO THE CONVECTION FANS OR UP ONTO THE INFRARED BROILER.
DO NOT LET SPRAY CONTACT THE STAINLESS STEEL EXTERIOR.
- When spray on oven cleaners are used, follow using a 1/4 cup vinegar mixed with one quart of water to rinse the oven.
- Do not use scouring powders on the glass window; oven spray may be used on the window. Rinse with vinegar and water solution.

RETAIN THIS MANUAL FOR FUTURE REFERENCE.
This equipment is design engineered for residential use only.

Model Number: _____

Serial Number: _____

Purchase Date: _____

Installed By: _____ Install Date: _____

Gas Type: _____

Electrical Information: _____



13592 Desmond St., Pacoima, CA 91331
818.897.0808 - 888.753.9898