

# AMANA®

---

## Dehumidifier Use and Care Guide

For questions about features, operation/performance, parts, or service, call 1-800-207-1156.  
In Canada, for assistance, installation, or service, call 1-800-207-1156.

### Table of Contents

DEHUMIDIFIER SAFETY .....	2	TROUBLESHOOTING .....	8
INSTALLATION REQUIREMENTS .....	3	ASSISTANCE OR SERVICE .....	9
PARTS AND FEATURES .....	4	XLS PRODUCTS WARRANTY FOR	
USING YOUR DEHUMIDIFIER .....	5	AMANA™ DEHUMIDIFIERS .....	10
CARE AND CLEANING .....	7		

---

## Deshumidificateur Guide d'utilisation et d'entretien

Au Canada, pour assistance, installation ou service, composez le : 1-800-207-1156

### Table des matières

SÉCURITÉ DU DÉSHUMIDIFICATEUR .....	11	DÉPANNAGE .....	17
EXIGENCES D'INSTALLATION .....	12	ASSISTANCE OU SERVICE .....	18
PIÈCES ET CARACTÉRISTIQUES .....	13	GARANTIE DE XLS PRODUCTS POUR	
UTILISATION DE VOTRE DÉSHUMIDIFICATEUR .....	14	LES DÉSHUMIDIFICATEURS AMANA™ .....	19
ENTRETIEN ET NETTOYAGE .....	16		

---

## Deshumedeceador Manual de uso y cuidado

Si tiene preguntas con respecto a características, funcionamiento, rendimiento, piezas o servicio técnico, llame al 1-800-207-1156

### Índice

SEGURIDAD DEL DESHUMEDECADOR .....	20	SOLUCIÓN DE PROBLEMAS .....	26
REQUISITOS DE INSTALACIÓN .....	21	AYUDA O SERVICIO TÉCNICO .....	27
PIEZAS Y CARACTERÍSTICAS .....	22	GARANTÍA DE XLS PRODUCTS	
USO DEL DESHUMEDECADOR .....	23	PARA LOS DESHUMEDECADORES AMANA™ .....	28
CUIDADO Y LIMPIEZA .....	25		

# DEHUMIDIFIER SAFETY

## Your safety and the safety of others are very important.

We have provided many important safety messages in this manual and on your appliance. Always read and obey all safety messages.



This is the safety alert symbol.

This symbol alerts you to potential hazards that can kill or hurt you and others.

All safety messages will follow the safety alert symbol and either the word "DANGER" or "WARNING." These words mean:

**! DANGER**

**You can be killed or seriously injured if you don't immediately follow instructions.**

**! WARNING**

**You can be killed or seriously injured if you don't follow instructions.**

All safety messages will tell you what the potential hazard is, tell you how to reduce the chance of injury, and tell you what can happen if the instructions are not followed.

## IMPORTANT SAFETY INSTRUCTIONS

**WARNING: To reduce the risk of fire, electric shock, injury or sickness when using your dehumidifier, follow these basic precautions:**

- Plug into a grounded 3 prong outlet.
- Do not remove ground prong.
- Do not use an adapter.
- This appliance is not intended for use by persons (including children) with reduced physical, sensory, or mental capabilities, or lack experience and knowledge, unless they have been given supervision or instruction concerning the use of appliance by a person responsible for their safety.
- Do not use an extension cord.
- Unplug dehumidifier before servicing.
- Do not drink water collected in the water bucket.
- Children should be supervised to ensure that they do not play with the appliance.

**SAVE THESE INSTRUCTIONS**

State of California Proposition 65 Warnings:

WARNING: This product contains one or more chemicals known to the State of California to cause cancer.

WARNING: This product contains one or more chemicals known to the State of California to cause birth defects or other reproductive harm.

### Disposing of the unit:

- When you need to dispose of the unit, consult with your local dealer or local recycling center for information on how to dispose of the unit in an environmentally responsible manner.
- Please recycle or dispose of the packaging material for the product in an environmentally responsible manner.

# INSTALLATION REQUIREMENTS

## Electrical Requirements—All Models

### **⚠ WARNING**



#### **Electrical Shock Hazard**

**Plug into a grounded 3 prong outlet.**

**Do not remove ground prong.**

**Do not use an adapter.**

**Do not use an extension cord.**

**Failure to follow these instructions can result in death, fire, or electrical shock.**

The electrical ratings for your dehumidifier are listed on the model and serial number label. The model and serial number label is located on the right-hand side of the dehumidifier cabinet.

## Electrical Requirements

- 115 Volts (103.5 min.-126.5 max.)
- 0-12 amps
- 15-amp time-delay fuse or circuit-breaker
- If there is a “Single Circuit Only” label on the unit, use on a dedicated single-outlet circuit only. If a dedicated single-outlet circuit is not available, then it is the customer’s responsibility to have a single-outlet circuit installed by a qualified electrician.
- If there is no “Single Circuit Only” label on the unit, the unit may be used on any branch circuit of correct voltage and adequate current protection rating.

## Recommended Grounding Method

This dehumidifier must be grounded. This dehumidifier is equipped with a power supply cord having a grounded 3 prong plug. To minimize possible shock hazard, the cord must be plugged into a mating, grounded 3 prong outlet, grounded in accordance with all local codes and ordinances. If a mating outlet is not available, it is the customer’s responsibility to have a properly grounded 3 prong outlet installed by a qualified electrical installer. It is also the customer’s responsibility:

- to contact a qualified electrical installer.
- to assure that the electrical installation is adequate and in conformance with National Electrical Code, ANSI/NFPA 70 - latest edition, and all local codes and ordinances.

Copies of the standards listed may be obtained from:

National Fire Protection Association  
1 Batterymarch Park  
Quincy, MA 02269

## Installation Instructions

### **⚠ WARNING**

#### **Excessive Weight Hazard**

**Use two or more people to move and install dehumidifier.**

**Failure to do so can result in back or other injury.**

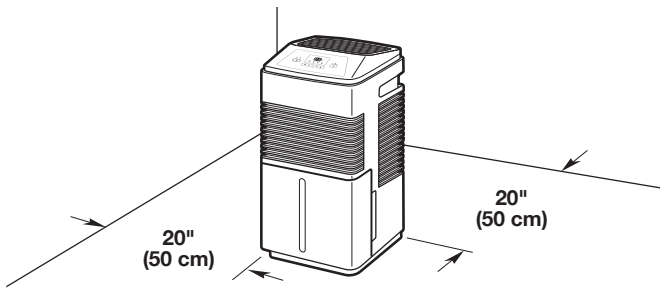
#### **Remove Packaging Materials:**

- Handle the dehumidifier gently while unpacking the unit.
- Remove the carton top and lift the dehumidifier from the base pad.
- Remove tape and glue residue from surfaces before turning on the dehumidifier. Rub a small amount of liquid dish soap over the adhesive with your fingers. Wipe with a damp cloth and dry.
- Do not use sharp instruments, rubbing alcohol, flammable fluids, or abrasive cleaners to remove tape or glue. These products can damage the surface of your dehumidifier.
- Dispose of/recycle packaging materials in an appropriate way.

## Placement

This dehumidifier may be placed on a stable, level, and solid floor that will support its weight with a full bucket of water. Allow at least 12-18" (30-45 cm) of clearance from walls and furniture. Do not allow the air inlet or outlet to be covered by drapes or curtains, as it will reduce performance.

- Use the dehumidifier in an area where the temperature will not fall below 41° F (5° C). At temperatures below 41° F (5° C), the coils can become covered with frost, resulting in reduced performance.
- Use the dehumidifier in cooking, laundry, bathing, and dishwashing areas that have excessive moisture.
- Use the dehumidifier to prevent moisture damage anywhere books or valuables are stored.
- Use the dehumidifier in a basement to help prevent moisture.
- The dehumidifier must be operated in an enclosed area to be most effective.
- Close all doors, windows, and other outside openings in the room.



## Electrical Connection

### ⚠ WARNING



#### Electrical Shock Hazard

**Plug into a grounded 3 prong outlet.**

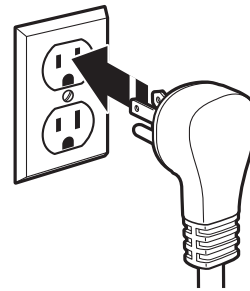
**Do not remove ground prong.**

**Do not use an adapter.**

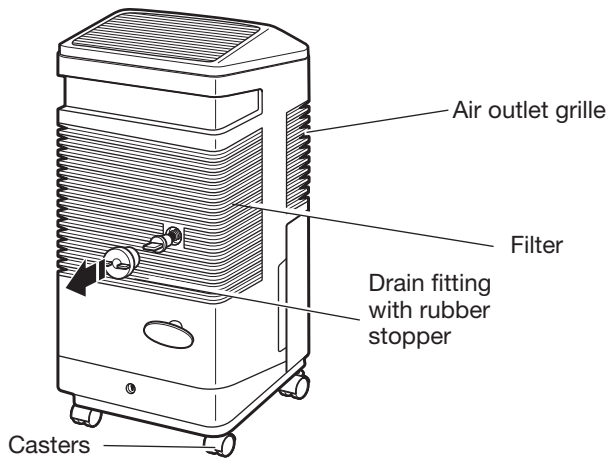
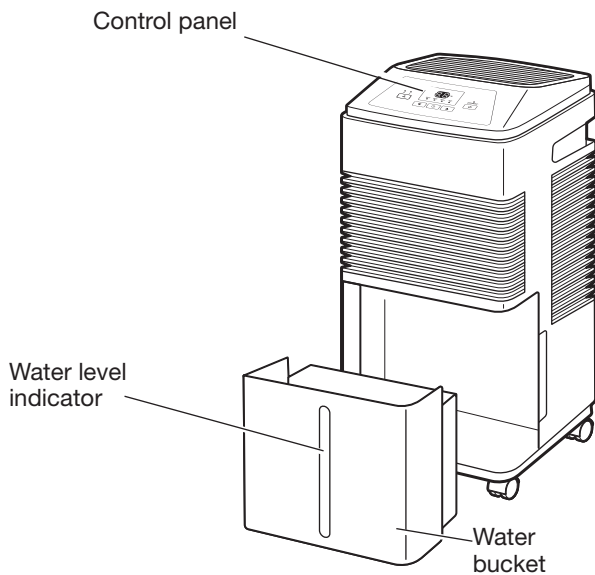
**Do not use an extension cord.**

**Failure to follow these instructions can result in death, fire, or electrical shock.**

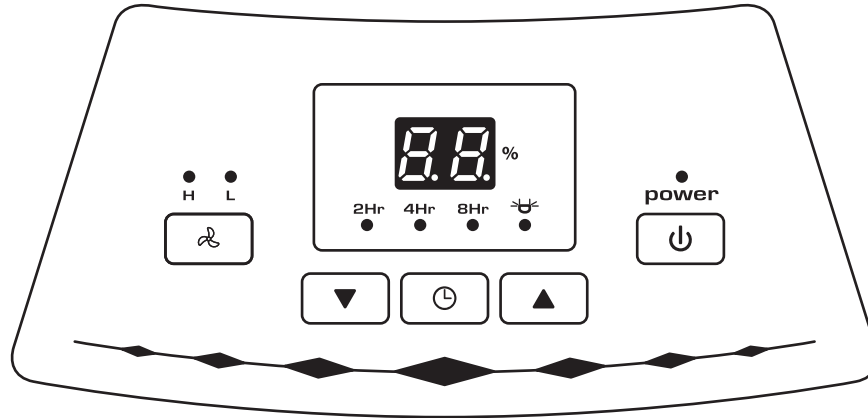
### Plug into grounded 3 prong outlet



## PARTS AND FEATURES



# USING YOUR DEHUMIDIFIER



## Turning the Dehumidifier on or off

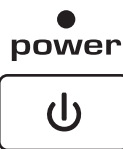
When you first plug in the dehumidifier, it will beep once and the display will show the current temperature and relative humidity level.

Press POWER to turn the dehumidifier on or off.

### IMPORTANT:

- When first operating the dehumidifier, run it in Continuous mode for 24 hours.
- If you turn off the dehumidifier, wait at least 3 minutes before turning it back on.
- Do not try to operate your dehumidifier if the temperature in the room is below 41°F (5°C) or above 95°F (35°C).

**NOTE:** In the event of a power failure, your dehumidifier will operate at the previous settings when the power is restored.



## Using the Timer

### Auto Shut-Off

You can set the dehumidifier to shut off automatically after a set amount of time, up to 14 hours.

### To set Auto Shut-Off:

1. With the dehumidifier on, press TIMER.
2. Press the Timer button to increase the timer in 2-hour increments (2 hours) up to 14 hours. After 14 hours, press the Timer button again to cancel timing function.
3. After the set time, the dehumidifier will turn off automatically.

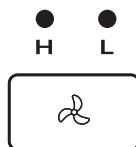


## Selecting the Fan Speed

The Fan Speed has two settings:

- High Wind (H)
- Low Wind (L)

Press the Wind button until the indicator light for the desired setting is lit.



## Bucket Full Indicator

When the water bucket is full of water, the unit will automatically shut off, make a beeping noise, and the Bucket Full Indicator will light up. See the "Emptying the Water Bucket" section for more information.

## Automatic Defrost

If the dehumidifier operates for an extended time in low temperatures, ice may form on the cooling coils. If this happens, the dehumidifier compressor will turn off and the fan will run until the accumulated ice has melted. When the coils are completely defrosted, the compressor or fan (depending on the model) will automatically restart and dehumidification will resume.

## Selecting the Humidity Level

Press the up or down arrow button to increase or decrease the humidity setting. The relative humidity level can be adjusted between 30% and 80%.

Each press of the button will change the desired room humidity by 5%. The unit will cycle on and off to maintain the humidity level chosen on the digital display.

## Emptying the Water Bucket

### **! WARNING**

#### Sickness Hazard

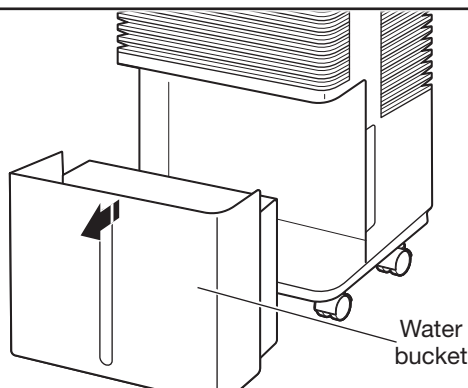
**Do not drink water collected in water bucket.**

**Doing so can result in sickness.**

When the water collection bucket is full, the Water Bucket Full indicator will light and the dehumidifier will turn off. The dehumidifier will not function until the water bucket is emptied and replaced.

When the bucket is removed from the machine, the compressor and fan will both turn off, but the fan will continue to run for a few seconds. This is normal. The dehumidifier will not be removing moisture from the air at this time.

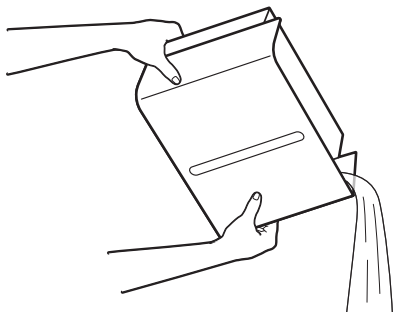
### 1. Remove water bucket



Remove the water bucket by pulling straight out from the bottom front of the dehumidifier. The bucket features a convenient carry handle for easier transport.

**NOTE:** Do not place a full bucket on the floor, as the bottom is uneven and the bucket may tip.

### 2. Empty water bucket



**NOTE:** Hold the water bucket with both hands when emptying. Empty the water bucket into a sink or drain.

Slide the water bucket back into the dehumidifier.

## Continuous Mode and Drain Hose Connection (optional)

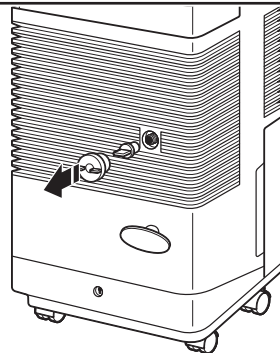
The Continuous mode allows the unit to run continuously (depending on the selected humidity level) without having to empty the water bucket.

To drain continuously, attach a hose (not included) for water drainage into a floor drain.

The drain fitting uses a standard garden hose connector. The drain hose must be below the drain port on the back of the dehumidifier to ensure proper drainage.

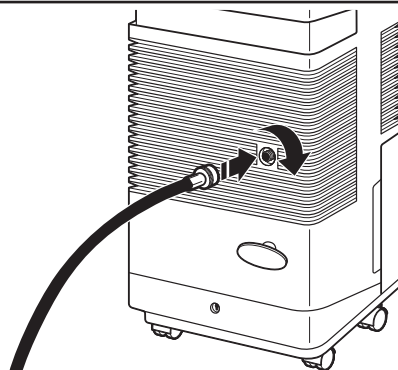
**NOTE:** Use a GHT or "garden hose thread", which has an outer diameter of 1<sup>1</sup>/<sub>16</sub>" (27 mm) and a pitch of 11.5 TPI (threads per inch).

### 1. Remove drain fitting plug



Place the dehumidifier on a level surface. Unscrew the cap on the back of the unit to access the drain fitting.

### 2. Install drain hose



**IMPORTANT:** In order to connect the drain hose, you must remove the drain plug from the unit and pull the internal connection pipe out until you hear or feel it click twice.

Thread the drain hose (not included) onto the drain fitting on the dehumidifier. Lead the rest of the hose to a floor drain and cut to length (no longer than 6' [1,82 m] long). Make sure water is draining through the hose and not the bucket and that there are no kinks or knots in the garden hose. Turn on the unit and press the Mode button until set to Continuous mode.

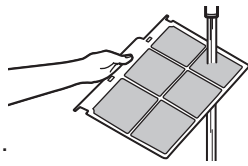
**NOTE:** The unit will automatically revert back to the drainage bucket if the hose has not been installed properly.

## CARE AND CLEANING

Your new dehumidifier is designed to give you many years of dependable service. This section tells you how to clean and care for your dehumidifier properly.

### Cleaning the Filter

The filter is removable for easy cleaning. A clean filter helps remove dust, lint, and other particles from the air and is important for best operating efficiency. Check the filter every two weeks to see whether it needs cleaning.

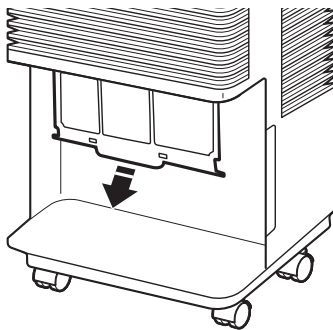


**NOTE:** For best performance, do not operate the dehumidifier without the filter in place.

Rinse the filter under the faucet. If the filter is very dirty, wash it in warm water with a mild detergent.

**NOTE:** Do not wash the filter in the dishwasher or use any chemical cleaners; it may damage the filter. Air dry the filter completely before replacing to ensure maximum efficiency.

### Remove the filter



Remove the filter from back of the unit by using your thumbs to press down on the tabs directly above the filter.

#### Reinstalling the filter:

1. Wait until the filter is completely dry.
2. Reinstall the filter in the dehumidifier.

### Cleaning the Dehumidifier Cabinet

1. Turn off the dehumidifier.
2. Wipe the dehumidifier cabinet with a soft, damp cloth.
3. Wipe dry with soft cloth.

### Cleaning the Water Bucket

The water bucket should be cleaned every few weeks to prevent mold and mildew growth.

1. Remove the water bucket.
2. Wash the bucket with a mixture of warm water and a mild detergent.
3. Rinse well, then reinstall water bucket.

## ⚠ WARNING

### Excessive Weight Hazard

**Use two or more people to move and install dehumidifier.**

**Failure to do so can result in back or other injury.**

### Storing the Dehumidifier


If the dehumidifier will not be used for an extended period of time, prepare it for storage with the following steps.

1. Turn off the dehumidifier and unplug it.
2. Empty the bucket.
3. Remove, clean, and reinstall the filter.

# TROUBLESHOOTING

Before calling for service, try the suggestions below to see whether you can solve your problem without outside help.

**⚠ WARNING**



**Electrical Shock Hazard**

**Plug into a grounded 3 prong outlet.**

**Do not remove ground prong.**

**Do not use an adapter.**

**Do not use an extension cord.**

**Failure to follow these instructions can result in death, fire, or electrical shock.**

PROBLEM	POSSIBLE CAUSES	RECOMMENDED SOLUTIONS
<b>The Dehumidifier Will Not Start</b>	The dehumidifier is unplugged.	Make sure the power supply cord is plugged into a grounded 3 prong outlet. See the “Electrical Requirements” section.
	The fuse is blown/circuit breaker is tripped.	Check the house fuse/circuit breaker box and replace the fuse or reset the breaker. See the “Electrical Requirements” section.
	Power failure	The unit will automatically restart when power is restored. There is a protective time delay (approximately 3 minutes) to prevent tripping of the compressor overload. The unit may not start normal cooling for 3 minutes after it is turned back on.
	The dehumidifier has reached a set humidity level or the bucket is full.	The dehumidifier automatically turns off when either condition occurs. Change to a lower humidity level or empty the water bucket and replace properly.
	The bucket is not in the proper position.	Securely seat the bucket in place.
<b>The Dehumidifier Is Not Drying the Air As It Should</b>	Airflow is restricted.	Make sure there are no curtains, blinds, or furniture blocking the front of the dehumidifier.
	The temperature control is not set correctly.	Lower the set thermostat temperature.
	The humidity control may be set too high.	For drier air, press the down arrow button to lower the percent humidity desired in the room, or set the dehumidifier to CO for maximum dehumidification.
	The room is too cool.	Moisture removal works best at higher room temperatures. Lower room temperatures will reduce the moisture removal rate. Your dehumidifier is designed to operate at temperatures above 41° F (5° C).
	Doors and windows are not closed tightly.	Check that all doors, windows, and other openings are securely closed.
	A clothes dryer or other appliance is generating more moisture than the dehumidifier can remove from the air.	Be sure that the clothes dryer or other appliance is vented to the outdoors, or turn it off during periods of high humidity.
	The dehumidifier has just been installed.	When first installed, allow at least 24 hours to reach the desired dryness.
<b>The Dehumidifier Runs Too Much</b>	The area to be dehumidified is too large.	The capacity of your dehumidifier may not be adequate for the room size.
	Doors and windows are open.	Close all doors and windows to the outside.



<b>Frost Appears On the Coils</b>	The dehumidifier has recently been turned on or the room temperature is below 41° F (5° C).	This is normal. Frost will usually disappear within 60 minutes.
<b>Controls Cannot Be Set</b>	The compressor will turn off and the fan will automatically continue to run for approximately 3 minutes at a fixed setting.	This is normal. Wait approximately 3 minutes and set the fan speed at the desired level.
	Air is moving through the unit.	This is normal.
<b>There Is Water On the Floor</b>	Hose connection may be loose.	Check the hose connection and make sure it is tight. See the “Continuous Mode and Drain Hose Connection” section for more information.
	Hose is attached but not draining.	Make sure the hose is placed so that the water will flow into a drain. See the “Continuous Mode and Drain Hose Connection” section for more information.
<b>E1, E2, or E3 In Display</b>	Your dehumidifier is showing an error code.	Contact XLS for assistance.

## ASSISTANCE OR SERVICE

Before calling for assistance or service, please check “Troubleshooting.” It may save you the cost of a service call. If you still need help, follow the instructions below.

When calling, please know the purchase date and the complete model and serial number of your appliance. This information will help us to better respond to your request.

---

### In the USA

Call XLS Products Customer Service toll free at 1-800-207-1156.

Our consultants provide assistance with:

- Features and specifications on our full line of appliances.
- Installation information.
- Use and maintenance procedures.
- Accessory and repair parts.
- Specialized customer assistance.
- Referrals to local dealers, repair parts distributors and service companies. XLS Products designated service technicians are trained to fulfill the product warranty and provide after-warranty service, anywhere in the United States.

**For further assistance:**

If you need further assistance, you can write to XLS Products with any questions or concerns at

XLS Products, Inc.  
Customer Service  
P.O. Box 16262  
Philadelphia, PA 19114-0262

Please include a daytime phone number in your correspondence.

---

### In Canada

Call the XLS Products Customer Service toll free at 1-800-207-1156.

Our consultants provide assistance with:

- Features and specifications on our full line of appliances.
- Use and maintenance procedures.
- Accessory and repair parts.
- Referrals to local dealers, repair parts distributors, and service companies. XLS Products designated service technicians are trained to fulfill the product warranty and provide after-warranty service, anywhere in Canada.

**For further assistance:**

If you need further assistance, you can write to XLS Products with any questions or concerns at

XLS Products, Inc.  
Customer Service  
P.O. Box 16262  
Philadelphia, PA 19114-0262

Please include a daytime phone number in your correspondence.

# XLS PRODUCTS WARRANTY FOR AMANA™ DEHUMIDIFIERS

---

## ONE YEAR LIMITED WARRANTY

For one year from the date of purchase, when this product is operated and maintained according to instructions attached to or furnished with the product, XLS Products will pay for replacement parts and repair labor to correct defects in materials or workmanship or replace the product at our discretion. Service must be provided by a XLS Products designated service company. This warranty does not cover the air filter.

### ITEMS XLS PRODUCTS WILL NOT PAY FOR

1. Service calls to correct the installation of your product, instruct you how to use your product, to replace house fuses or reset circuit breakers, replace or clean filters, or correct house wiring.
2. Service calls to repair or replace air filters. Those consumable parts are excluded from warranty coverage.
3. Repairs when your product is used for other than normal, single-family household use.
4. Damage resulting from accident, alteration, misuse, abuse, fire, flood, acts of God, improper installation, installation not in accordance with electrical or plumbing codes, or use of products not approved by XLS Products.
5. Replacement parts or repair labor costs for units operated outside the United States or Canada
6. Pickup and delivery. This product is designed to be repaired in the home.
7. Repairs to parts or systems resulting from unauthorized modifications made to the appliance.
8. Expenses for travel and transportation for product service in remote locations.
9. The removal and reinstallation of your appliance if it is installed in an inaccessible location or is not installed in accordance with published installation instructions.

### DISCLAIMER OF IMPLIED WARRANTIES; LIMITATION OF REMEDIES

CUSTOMER'S SOLE AND EXCLUSIVE REMEDY UNDER THIS LIMITED WARRANTY SHALL BE PRODUCT REPAIR AS PROVIDED HEREIN. IMPLIED WARRANTIES, INCLUDING WARRANTIES OF MERCHANTABILITY OR FITNESS FOR A PARTICULAR PURPOSE, ARE LIMITED TO ONE YEAR OR THE SHORTEST PERIOD ALLOWED BY LAW. XLS PRODUCTS SHALL NOT BE LIABLE FOR INCIDENTAL OR CONSEQUENTIAL DAMAGES. SOME STATES AND PROVINCES DO NOT ALLOW THE EXCLUSION OR LIMITATION OF INCIDENTAL OR CONSEQUENTIAL DAMAGES, OR LIMITATIONS ON THE DURATION OF IMPLIED WARRANTIES OF MERCHANTABILITY OR FITNESS, SO THESE EXCLUSIONS OR LIMITATIONS MAY NOT APPLY TO YOU. THIS WARRANTY GIVES YOU SPECIFIC LEGAL RIGHTS AND YOU MAY ALSO HAVE OTHER RIGHTS, WHICH VARY, FROM STATE TO STATE OR PROVINCE TO PROVINCE.

Outside the 50 United States and Canada, this warranty does not apply. Contact your authorized XLS Products dealer to determine if another warranty applies.

If you need service, first see the "Troubleshooting" section of the Use & Care Guide. After checking "Troubleshooting," additional help can be found by checking the "Assistance or Service" section or by calling XLS Products. In the U.S.A., call 1-800-207-1156. In Canada, call 1-800-207-1156.

Keep this book and your sales slip together for future reference. You must provide proof of purchase or installation date for in-warranty service.

Write down the following information about your dehumidifier to better help you obtain assistance or service if you ever need it. You will need to know your complete model number and serial number. You can find this information on the model and serial number label located on the product.

Dealer name \_\_\_\_\_  
Address \_\_\_\_\_  
Phone number \_\_\_\_\_  
Model number \_\_\_\_\_  
Serial number \_\_\_\_\_  
Purchase date \_\_\_\_\_

# SÉCURITÉ DU DÉSHUMIDIFICATEUR

## Votre sécurité et celle des autres est très importante.

Nous donnons de nombreux messages de sécurité importants dans ce manuel et sur votre appareil ménager. Assurez-vous de toujours lire tous les messages de sécurité et de vous y conformer.



Voici le symbole d'alerte de sécurité.

Ce symbole d'alerte de sécurité vous signale les dangers potentiels de décès et de blessures graves à vous et à d'autres.

Tous les messages de sécurité suivront le symbole d'alerte de sécurité et le mot "DANGER" ou "AVERTISSEMENT". Ces mots signifient :

**! DANGER**

**Risque possible de décès ou de blessure grave si vous ne suivez pas immédiatement les instructions.**

**! AVERTISSEMENT**

**Risque possible de décès ou de blessure grave si vous ne suivez pas les instructions.**

Tous les messages de sécurité vous diront quel est le danger potentiel et vous disent comment réduire le risque de blessure et ce qui peut se produire en cas de non-respect des instructions.

## IMPORTANTES INSTRUCTIONS DE SÉCURITÉ

**AVERTISSEMENT : Pour réduire les risques d'incendie, de choc électrique, de blessures ou maladies lors de l'utilisation du déshumidificateur, prendre quelques précautions fondamentales, y compris les suivantes :**

- Brancher l'appareil sur une prise à 3 alvéoles reliée à la terre.
- Ne pas enlever la prise de liaison à la terre.
- Ne pas utiliser d'adaptateur.
- Cet appareil ne convient pas à une utilisation par des personnes (y compris des enfants) à capacités physiques, sensorielles ou mentales réduites, ou possédant un manque d'expérience et de connaissances, à moins qu'elles ne soient placées sous supervision ou qu'elles aient reçu des instructions concernant l'utilisation de l'appareil par une personne responsable de leur sécurité.
- Ne pas utiliser de rallonge.
- Débrancher le déshumidificateur avant l'entretien.
- Ne pas boire l'eau recueillie dans le bac.
- Les enfants doivent être placés sous surveillance afin de s'assurer qu'ils ne jouent pas avec l'appareil.

CONSERVER CES INSTRUCTIONS

Avertissements de la proposition 65 de l'État de Californie :

**AVERTISSEMENT :** Ce produit contient au moins un produit chimique connu par l'État de Californie pour être à l'origine de cancers.

**AVERTISSEMENT :** Ce produit contient au moins un produit chimique connu par l'État de Californie pour être à l'origine de malformations et autres déficiences de naissance.

### Jeter l'appareil :

- Avant de jeter l'appareil, consulter votre détaillant local ou le centre de recyclage de votre région pour obtenir des renseignements sur la façon de le jeter de façon responsable pour l'environnement.
- Jeter ou recycler les matériaux d'emballages de façon responsable pour l'environnement.

# EXIGENCES D'INSTALLATION

## Exigences électriques – tous les modèles

### **⚠ AVERTISSEMENT**



#### **Risque de choc électrique**

**Brancher sur une prise à 3 alvéoles reliée à la terre.**

**Ne pas enlever la broche de liaison à la terre.**

**Ne pas utiliser un adaptateur.**

**Ne pas utiliser un câble de rallonge.**

**Le non-respect de ces instructions peut causer un décès, un incendie ou un choc électrique.**

Les caractéristiques électriques du déshumidificateur sont indiquées sur la plaque signalétique. La plaque signalétique des numéros de modèle et de série est située du côté droit de la caisse du déshumidificateur.

### **Spécifications électriques**

- 115 V (103,5 min-126,5 max)
- 0 à 12 A
- Fusible temporisé 15 A ou disjoncteur
- Si une étiquette "Circuit indépendant seulement" est apposée sur l'appareil, utiliser l'appareil sur un circuit où rien d'autre n'est branché. Si ce n'est pas possible, il incombe à l'utilisateur de faire installer par un électricien qualifié un circuit où l'appareil pourra être branché seul.
- Si aucune étiquette "Circuit indépendant seulement" n'est apposée sur l'appareil, l'appareil peut être branché à toute prise offrant la bonne tension et la protection adéquate.

## Méthode de liaison à la terre recommandée

Ce déshumidificateur doit être relié à la terre. Ce déshumidificateur est équipé d'un cordon d'alimentation électrique à 3 alvéoles, pour la liaison à la terre. Pour minimiser les risques de choc électrique, on doit brancher le cordon sur une prise de courant de configuration correspondante, à 3 alvéoles, reliée à la terre et installée conformément à tous les codes et règlements locaux. Si une prise de courant compatible n'est pas disponible, il incombe au client de faire installer par un électricien qualifié une prise de courant à 3 alvéoles convenablement reliée à la terre. Il incombe au client de :

- Contacter un électricien qualifié.
- Veiller à ce que l'installation électrique soit réalisée de façon adéquate et en conformité avec le code national de l'électricité, ANSI/NFPA 70 – plus récente édition, et tous les codes et règlements locaux en vigueur.

On peut obtenir des exemplaires des normes mentionnées à l'adresse suivante :

National Fire Protection Association  
1 Batterymarch Park  
Quincy, MA 02269

## Instructions d'installation

### **⚠ AVERTISSEMENT**

#### **Risque du poids excessif**

**Utiliser deux ou plus de personnes pour déplacer et installer le climatiseur.**

**Le non-respect de cette instruction peut causer une blessure au dos ou d'autre blessure.**

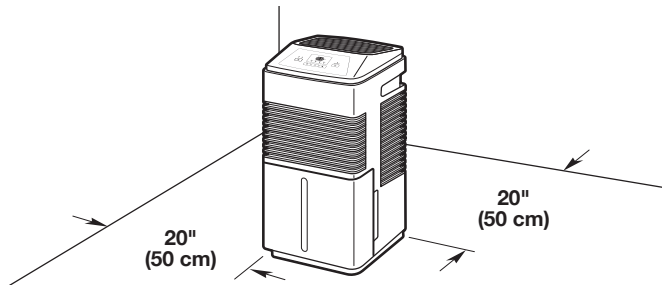
#### **Enlever les matériaux d'emballage :**

- Manipuler le déshumidificateur avec soin pendant le déballage.
- Enlever le carton du dessus et soulever le déshumidificateur du socle.
- Enlever tout résidu de ruban adhésif et de colle des surfaces du déshumidificateur avant de le mettre en marche. Frotter une petite quantité de savon liquide à vaisselle sur l'adhésif avec les doigts. Essuyer avec un linge propre et sécher.
- Ne pas utiliser d'instruments coupants, d'alcool à friction, de liquides inflammables ou de nettoyants abrasifs pour enlever le ruban adhésif ou la colle. Ces produits peuvent endommager la surface du déshumidificateur.
- Jeter ou recycler les matériaux d'emballages de façon convenable.

## Emplacement

Le déshumidificateur doit être installé sur une surface solide, stable, de niveau et capable d'en supporter le poids lorsque le bac est plein d'eau. Laisser au moins 12-18 po (30-45 cm) d'espace entre l'appareil et les murs ou meubles. Ne pas positionner le déshumidificateur de telle façon que l'entrée ou la sortie d'air soit obstruée par des rideaux ou draperies, ceci pourrait en réduire la performance.

- Installer l'appareil dans un endroit où la température ne descend pas en dessous de 41 °F (5 °C). À une température inférieure à 41 °F (5 °C), les serpentins peuvent se couvrir de givre, ce qui réduit la performance de l'appareil.
- Utiliser le déshumidificateur dans les zones où il y a production excessive d'humidité comme la cuisine, la buanderie, la salle de bain et près du lave-vaisselle.
- Utiliser le déshumidificateur dans les espaces où sont rangés des livres et autres objets de valeur pour prévenir les dégâts causés par l'humidité.
- Utiliser le déshumidificateur au sous-sol pour prévenir l'accumulation d'humidité.
- Le déshumidificateur est plus efficace lorsqu'il est utilisé dans une pièce fermée.
- Fermer toutes les portes, fenêtres et autres ouvertures vers l'extérieur de la pièce.



## Raccordement électrique

### ⚠ AVERTISSEMENT



#### Risque de choc électrique

**Brancher sur une prise à 3 alvéoles reliée à la terre.**

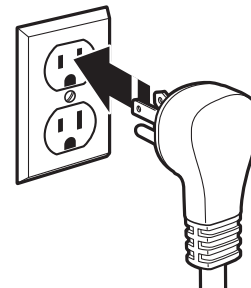
**Ne pas enlever la broche de liaison à la terre.**

**Ne pas utiliser un adaptateur.**

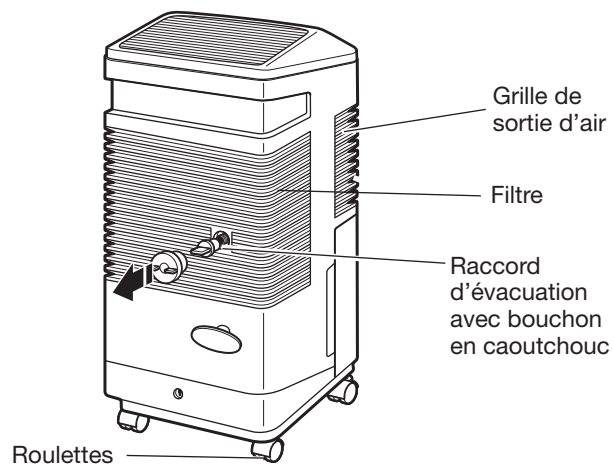
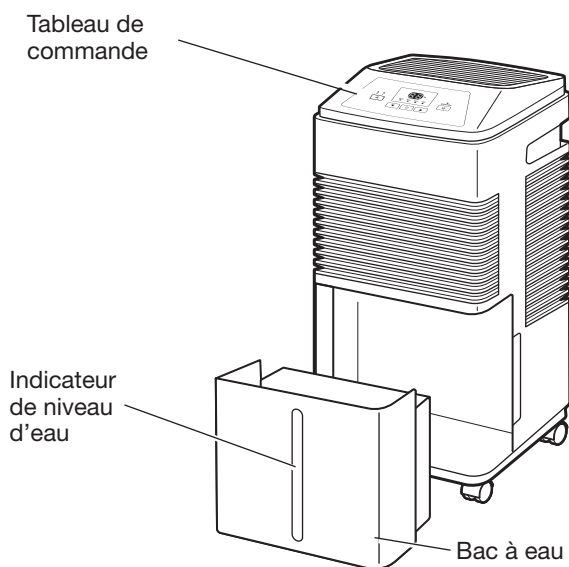
**Ne pas utiliser un câble de rallonge.**

**Le non-respect de ces instructions peut causer un décès, un incendie ou un choc électrique.**

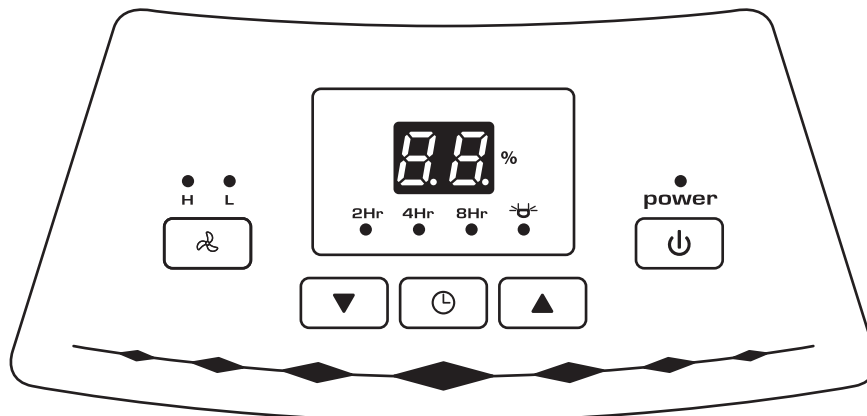
### Brancher à une prise à trois alvéoles reliée à la terre



## PIÈCES ET CARACTÉRISTIQUES



# UTILISATION DE VOTRE DÉSHUMIDIFICATEUR



## Mettre en marche/arrêter le déshumidificateur

Lorsque le déshumidificateur est branché pour la première fois, il émet une tonalité et affiche la température actuelle et l'humidité relative.

Appuyer sur POWER pour allumer ou éteindre le déshumidificateur.

### IMPORTANT :

- Lorsque le déshumidificateur est utilisé pour la première fois, il faut le faire fonctionner en Continu pendant 24 heures.
- Si on doit éteindre le déshumidificateur, attendre au moins 3 minutes avant de le rallumer.
- Ne pas essayer de faire fonctionner le déshumidificateur si la température de la pièce est inférieure à 41 °F (5 °C) ou supérieure à 95 °F (35 °C).

**REMARQUE :** En cas de panne de courant, votre déshumidificateur fonctionnera aux réglages précédents une fois le courant rétabli.



## Utiliser la minuterie

### Arrêt automatique

Il est possible de régler le déshumidificateur pour qu'il s'arrête automatiquement après un certain nombre d'heures, au maximum 14 heures.



### Pour configurer l'arrêt automatique :

1. Mettre le déshumidificateur en marche, puis appuyer sur TIMER (minuterie).
2. Appuyer sur le bouton Timer pour augmenter la durée de la minuterie par tranche de 2 heures, jusqu'à un maximum de 14 heures. Après 14 heures, appuyer de nouveau sur la touche Timer pour annuler la fonction de minuterie.
3. Une fois le délai écoulé, le déshumidificateur s'arrête automatiquement.

## Témoin de bac plein

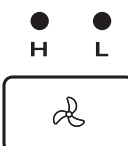
Lorsque le bac est plein, l'appareil cesse automatiquement de fonctionner, produit une tonalité sonore et allume le témoin de bac plein. Voir la section "Vider le bac à eau" pour plus d'informations.

## Sélectionner la vitesse du ventilateur

Le ventilateur peut être réglé à 2 vitesses :

- Forte (H)
- Faible (L)

Appuyer sur le bouton de vitesse de l'air jusqu'à ce que le témoin lumineux s'arrête sur le réglage souhaité.



## Sélection du niveau d'humidité

Appuyer sur les boutons vers le haut ou vers le bas pour augmenter ou réduire le réglage d'humidité. Le niveau d'humidité relative peut être réglé entre 30 % et 80 %.

Le taux d'humidité désiré pour la pièce change de 5 % chaque fois que l'on appuie sur le bouton. L'appareil se met en marche et s'arrête par intermittence pour maintenir le taux d'humidité sélectionné sur l'affichage numérique.

## Dégivrage automatique

Si le déshumidificateur fonctionne pendant une période prolongée à basse température, du givre peut se former sur les serpentins de refroidissement. Dans ce cas, le compresseur du déshumidificateur s'éteindra et le ventilateur fonctionnera jusqu'à ce que le givre accumulé ait fondu. Lorsque les bobines sont complètement décongelées, le compresseur ou le ventilateur (selon le modèle) redémarre automatiquement et la déshumidification reprend.

## Vidage du bac à eau

### **AVERTISSEMENT**

#### Risque de maladie

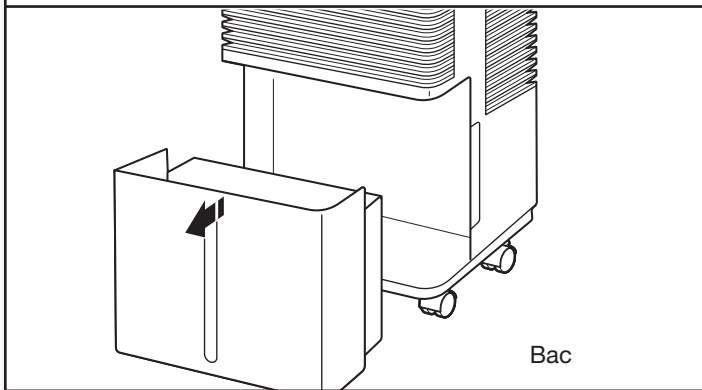
**Ne pas boire l'eau recueillie dans le bac.**

**Le non-respect de cette instruction peut causer des maladies.**

Lorsque le bac est plein, le témoin de bac plein s'allume et le déshumidificateur s'éteint. Le déshumidificateur ne redémarre pas avant que le bac soit vidé et remis en place.

Le compresseur cesse de fonctionner quand le bac est retiré, mais le ventilateur continu de fonctionner quelques minutes. Ceci est normal. L'appareil ne déshumidifie pas l'air à ce stade.

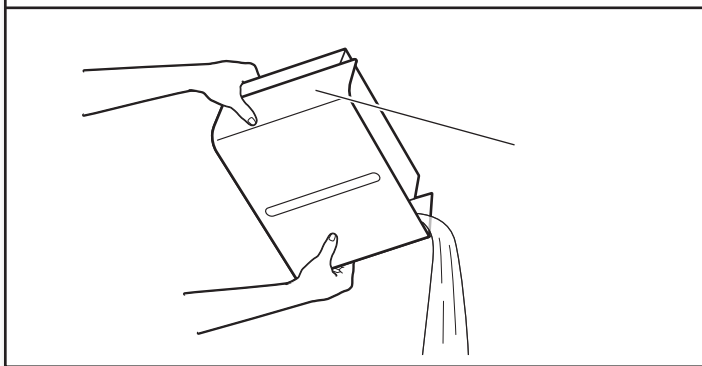
## 1. Enlever le bac à eau



Enlever le bac en le tirant par le bas et l'avant. Le bac est muni d'une pratique poignée de transport.

**REMARQUE :** Ne pas placer un bac plein sur le sol puisque sa base est irrégulière et pourrait faire verser le contenant.

## 2. Vider le bac à eau



**REMARQUE :** Tenir le bac à deux mains pour le vider. Vider le bac à eau dans un évier ou un drain.

Remettre en place le bac à eau en le faisant glisser dans le déshumidificateur.

## Mode continu et raccord du tuyau de vidange (optionnel)

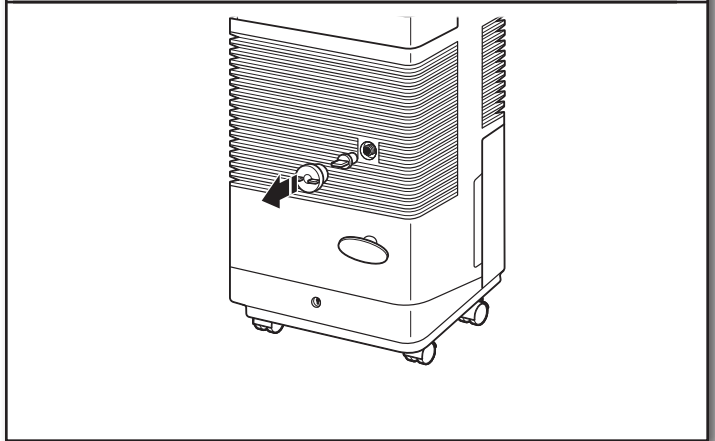
Le mode continu permet à l'appareil de fonctionner en continu (selon le niveau d'humidité sélectionné), sans avoir besoin de vider le bac.

Un tuyau de vidange continu (vendu séparément) peut être fixé pour vider l'eau dans un drain de plancher.

Utiliser un boyau d'arrosage sur le raccord de vidange. Le tuyau de vidange doit être positionné plus bas que l'orifice de vidange situé à l'arrière du déshumidificateur pour une vidange appropriée.

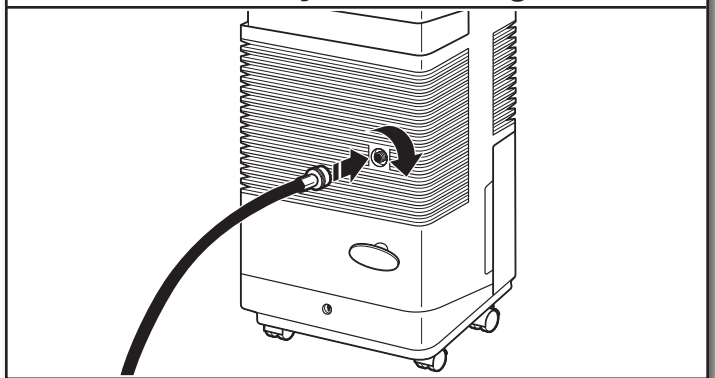
**REMARQUE :** Utiliser un filet "de boyau de jardin" avec diamètre externe de 1<sup>1</sup>/<sub>16</sub> po (27 mm) et pas de vis de 11,5 TPI (filets par pouce).

## 1. Enlever le bouchon du raccord de tuyau de vidange



Placer le déshumidificateur sur une surface de niveau. Dévisser le bouchon situé à l'arrière de l'appareil pour accéder au raccord de vidange.

## 2. Installer le tuyau de vidange



**IMPORTANT :** Pour raccorder le tuyau de vidange, retirer le bouchon de vidange de l'appareil et tirer pour faire sortir le raccord interne jusqu'à ce que deux déclics retentissent.

Insérer le tuyau de vidange (vendu séparément) dans le raccord de tuyau du déshumidificateur. Dérouler le reste du tuyau vers le drain de plancher et couper la longueur (pas plus de 6 pi [1,82 m] de long). S'assurer que l'eau est évacuée par le tuyau et non dans le bac et que le tuyau n'est pas déformé. Mettre en marche l'appareil et appuyer sur le bouton Mode jusqu'à atteindre le mode continu.

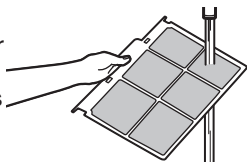
**REMARQUE :** L'appareil recommence automatiquement à vidanger dans le bac si le tuyau n'est pas bien installé.

# ENTRETIEN ET NETTOYAGE

Votre nouveau déshumidificateur est conçu pour vous donner de nombreuses années de service. Cette section vous expliquera comment nettoyer et entretenir votre déshumidificateur correctement.

## Nettoyage du filtre

Le filtre est amovible pour faciliter le nettoyage. Un filtre propre aide à retenir les particules de poussière, la charpie et les autres débris en suspension dans l'air et il est important pour obtenir une efficacité de fonctionnement de grande qualité. Vérifier le filtre toutes les 2 semaines pour déterminer si un nettoyage est nécessaire.

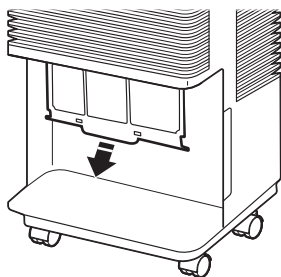


**REMARQUE :** Pour obtenir le meilleur rendement, ne pas faire fonctionner le déshumidificateur si le filtre n'est pas en place.

Rincer le filtre sous l'eau du robinet. Si le filtre est très sale, le laver avec de l'eau tiède et un détergent doux.

**REMARQUE :** Ne pas laver le filtre au lave-vaisselle ni utiliser de produits nettoyants chimiques pour ne pas l'endommager. Faire sécher complètement le filtre à l'air libre avant de le réinstaller, afin d'assurer une efficacité maximale.

## Retrait du filtre



Enlever le filtre de l'arrière de l'appareil en appuyant avec les pouces sur les onglets situés directement au-dessus du filtre.

### Réinstallation du filtre :

1. Attendre que le filtre soit entièrement sec.
2. Réinstaller le filtre dans le déshumidificateur.

## Nettoyage du boîtier du déshumidificateur

1. Éteindre le déshumidificateur.
2. Essuyer le boîtier du déshumidificateur avec un linge doux et humide.
3. Sécher parfaitement avec un linge doux.

## Nettoyage du bac à eau

Le bac à eau devrait être nettoyé aux quelques semaines pour prévenir la croissance des moisissures.

1. Enlever le bac à eau.
2. Laver le bac avec de l'eau chaude et savonneuse.
3. Bien rincer, puis replacer le bac à eau.

## **AVERTISSEMENT**

### Risque du poids excessif

**Utiliser deux ou plus de personnes pour déplacer et installer le déshumidificateur.**

**Le non-respect de cette instruction peut causer une blessure au dos ou d'autre blessure.**

## Rangement du déshumidificateur

Si le déshumidificateur n'est pas utilisé pendant une bonne période de temps, le préparer pour le rangement en suivant les étapes suivantes.

1. Arrêter le déshumidificateur et le débrancher.
2. Vider le bac.
3. Enlever, nettoyer, puis remettre en place le filtre.



# DÉPANNAGE

Avant de faire un appel de service, consulter les suggestions ci-dessous pour voir si le problème peut être résolu sans aide extérieure.

## ⚠️ AVERTISSEMENT



### Risque de choc électrique

**Brancher sur une prise à 3 alvéoles reliée à la terre.**

**Ne pas enlever la broche de liaison à la terre.**

**Ne pas utiliser un adaptateur.**

**Ne pas utiliser un câble de rallonge.**

**Le non-respect de ces instructions peut causer un décès, un incendie ou un choc électrique.**

PROBLÈME	CAUSES POSSIBLES	SOLUTIONS RECOMMANDÉES
<b>Le déshumidificateur ne fonctionne pas</b>	Le cordon d'alimentation électrique est débranché.	Brancher l'appareil sur une prise à 3 alvéoles reliée à la terre. Voir la section "Exigences électriques".
	Un fusible est grillé ou un disjoncteur s'est ouvert.	Remplacer le fusible ou réenclencher le disjoncteur. Voir la section "Exigences électriques".
	Panne de courant	L'appareil redémarrera au rétablissement de l'alimentation. Fusible temporisé (environ 3 minutes) pour prévenir le déclenchement du compresseur. L'appareil peut ne pas commencer à refroidir adéquatement avant 3 minutes de sa mise en marche.
	Le déshumidificateur a atteint le niveau d'humidité souhaité ou le bac est plein.	Le déshumidificateur s'arrête automatiquement lorsqu'une de ces deux situations se produit. Utiliser un niveau d'humidité inférieur ou vider le bac et le remettre correctement en place.
	Le bac n'est pas bien placé.	Bien placer le bac.
<b>Le déshumidificateur ne sèche pas l'air comme il devrait</b>	Circulation d'air limitée.	S'assurer que l'avant du climatiseur n'est pas bloqué par un rideau, un store ou un meuble.
	Les commandes de température peuvent ne pas être correctement réglées.	Baisser la température du thermostat.
	La commande d'humidité peut être réglée à un niveau trop élevé.	Pour obtenir de l'air plus sec, appuyer sur la flèche vers le bas pour réduire le pourcentage d'humidité souhaité dans la pièce ou utiliser le mode Continuous (en continu) pour une déshumidification maximale.
	La température de la pièce est trop basse.	La déshumidification est plus efficace lorsque la température de la pièce est élevée. Une température basse réduit le taux de déshumidification. Votre déshumidificateur est conçu pour fonctionner à une température au-dessus de 41 °F (5 °C).
	Les portes et fenêtres ne sont pas bien fermées.	Las puertas y ventanas no están herméticamente cerradas.
	Une sècheuse à linge ou un autre appareil génère plus d'humidité que ce que le déshumidificateur peut éliminer de l'air.	Vérifier que la sècheuse ou l'autre appareil évacue à l'extérieur, sinon éteindre l'un ou l'autre lors des périodes d'humidité élevée.
	Le déshumidificateur vient d'être installé.	Lors de la première installation, donner à l'appareil 24 heures pour qu'il atteigne le niveau d'humidité souhaité.

PROBLÈME	CAUSES POSSIBLES	SOLUTIONS RECOMMANDÉES
<b>Le déshumidificateur semble fonctionner excessivement</b>	La pièce à déshumidifier est trop grande.	La capacité de votre déshumidificateur peut être insuffisante pour la taille de la pièce.
	Des portes et fenêtres sont ouvertes.	Fermer les portes et fenêtres qui donnent sur l'extérieur.
<b>De la glace se forme sur les serpentins</b>	Le déshumidificateur a été mis en marche récemment ou la température dans la pièce est inférieure à 41 °F (5 °C).	Ceci est normal. Le givre disparaît habituellement dans les 60 minutes.
<b>Impossible de régler les commandes</b>	Le compresseur s'arrête et le ventilateur continu de fonctionner pendant environ 3 minutes à un réglage fixe.	Ceci est normal. Attendre environ 3 minutes et régler la vitesse du ventilateur au niveau souhaité.
	De l'air se déplace à travers l'appareil.	Ceci est normal.
<b>Il y a de l'eau sur le sol</b>	Raccords de tuyaux mal serrés.	Vérifiez le raccordement du flexible et assurez-vous qu'il est bien serré. Voir la section "Mode continu et raccord du tuyau de vidange".
	Le tuyau est fixé, mais il n'y a pas de vidange.	Vérifiez que le tuyau est placé de façon à ce que l'eau s'écoule dans un drain. Voir la section "Mode continu et raccord du tuyau de vidange" pour plus d'informations.
<b>E1, E2, ou E3 dans l'affichage</b>	Votre déshumidificateur affiche un code d'erreur.	Contactez XLS pour l'aide.

## ASSISTANCE OU SERVICE

Avant de faire un appel pour assistance ou service, vérifiez la section "Dépannage". Cette vérification peut vous faire économiser le coût d'une intervention de dépannage. Si vous avez encore besoin d'aide, suivez les instructions ci-dessous.

Avant d'appeler, vous devez connaître la date d'achat et les numéros de modèle et de série complets de votre appareil. Ces renseignements nous aideront à mieux répondre à votre demande.

---

### Aux É.-U.

Composer le numéro du service à la clientèle de XLS Products :  
1 800 207 1156

Nos consultants peuvent vous aider sur les points suivants :

- Caractéristiques et spécifications de notre gamme complète d'appareils ménagers.
- Renseignements sur l'installation.
- Procédures d'utilisation et d'entretien.
- Accessoires et pièces de rechange.
- Aide spécialisée à la clientèle.
- Orientation vers des concessionnaires, compagnies de service de réparation et distributeurs de pièces de rechange locaux. Les techniciens de service désignés de XLS Products sont formés pour remplir la garantie des produits et fournir un service après garantie partout aux États-Unis.

#### **Pour plus d'assistance :**

Si vous avez besoin de plus d'assistance, vous pouvez écrire à XLS Products en soumettant toute question ou tout problème à :

XLS Products, Inc.  
Customer Service  
P.O. Box 16262  
Philadelphia, PA 19114-0262

N'oubliez pas d'indiquer dans votre correspondance un numéro de téléphone où l'on peut vous joindre dans la journée.

---

### Au Canada

Composer le numéro du service à la clientèle de XLS Products :  
1 800 207 1156

Nos consultants peuvent vous aider sur les points suivants :

- Caractéristiques et spécifications de notre gamme complète d'appareils ménagers.
- Procédures d'utilisation et d'entretien.
- Accessoires et pièces de rechange.
- Orientation vers des concessionnaires, distributeurs de pièces de rechange et services de réparation locaux. Les techniciens de service désignés de XLS Products sont formés pour remplir la garantie des produits et fournir un service après la garantie, partout au Canada.

#### **Pour plus d'assistance :**

Si vous avez besoin de plus d'assistance, vous pouvez écrire à XLS Products en soumettant toute question ou tout problème à :

XLS Products, Inc.  
Customer Service  
P.O. Box 16262  
Philadelphia, PA 19114-0262

N'oubliez pas d'indiquer dans votre correspondance un numéro de téléphone où l'on peut vous joindre dans la journée.

# GARANTIE DE XLS PRODUCTS POUR LES DÉSHUMIDIFICATEURS AMANA™

## GARANTIE LIMITÉE DE UN AN

Pendant un an à compter de la date d'achat, lorsque ce produit est utilisé et entretenu conformément aux instructions jointes à ou fournies avec le produit, XLS Products paiera pour les pièces de rechange et la main-d'œuvre pour corriger les vices de matériaux ou de fabrication ou remplacera le produit à sa seule discrétion. L'entretien doit être fourni par une compagnie de service désignée par XLS Products. Cette garantie ne couvre pas le filtre à air.

### XLS PRODUCTS NE PRENDRA PAS EN CHARGE

1. Les visites de service pour rectifier l'installation de votre produit, pour vous montrer comment utiliser le produit, pour remplacer des fusibles de la maison, réenclencher les disjoncteurs, remplacer ou nettoyer les filtres ou rectifier le câblage électrique.
2. Les interventions de dépannage pour réparer ou remplacer des filtres à air. Ces pièces consommables ne sont pas couvertes par la garantie.
3. Les réparations lorsque le produit est utilisé à des fins autres que l'usage unifamilial normal.
4. Les dommages imputables à : accident, modification, usage impropre ou abusif, incendie, inondation, actes de Dieu, installation fautive ou installation non conforme aux codes d'électricité ou de plomberie, ou l'utilisation de produits non approuvés par XLS Products.
5. Le coût des pièces de rechange et de la main-d'œuvre de réparation pour les appareils utilisés hors des États-Unis ou du Canada.
6. Le ramassage et la livraison. Ce produit est conçu pour être réparé à domicile.
7. Les réparations aux pièces ou systèmes résultant d'une modification non autorisée faite à l'appareil.
8. Les frais de voyage et de transport pour le service d'un produit dans les régions éloignées.
9. L'enlèvement et la réinstallation de votre appareil si celui-ci est installé dans un endroit inaccessible ou n'est pas installé conformément aux instructions d'installation fournies.

### CLAUSE D'EXONÉRATION DE RESPONSABILITÉ AU TITRE DES GARANTIES IMPLICITES; LIMITATION DES RECOURS

LE SEUL ET EXCLUSIF RECOURS DU CLIENT DANS LE CADRE DE LA PRÉSENTE GARANTIE LIMITÉE CONSISTE EN LA RÉPARATION PRÉVUE CI-DESSUS. LES GARANTIES IMPLICITES, Y COMPRIS LES GARANTIES APPLICABLES DE QUALITÉ MARCHANDE OU D'APTITUDE À UN USAGE PARTICULIER, SONT LIMITÉES À UN AN OU À LA PLUS COURTE PÉRIODE AUTORISÉE PAR LA LOI. XLS PRODUCTS N'ASSUME AUCUNE RESPONSABILITÉ POUR LES DOMMAGES FORTUITS OU INDIRECTS. CERTAINES JURIDICTIONS NE PERMETTENT PAS L'EXCLUSION OU LA LIMITATION DES DOMMAGES FORTUITS OU INDIRECTS, OU LES LIMITATIONS DE LA DURÉE DES GARANTIES IMPLICITES DE QUALITÉ MARCHANDE OU D'APTITUDE ONT UN USAGE PARTICULIER, DE SORTE QUE CES EXCLUSIONS OU LIMITATIONS PEUVENT NE PAS S'APPLIQUER DANS VOTRE CAS. CETTE GARANTIE VOUS CONFÈRE DES DROITS JURIDIQUES SPÉCIFIQUES ET VOUS POUVEZ ÉGALEMENT JOUIR D'AUTRES DROITS QUI PEUVENT VARIER D'UNE JURIDICTION À UNE AUTRE.

À l'extérieur du Canada et des 50 États des États-Unis, cette garantie ne s'applique pas. Contacter votre marchand XLS Products autorisé pour déterminer si une autre garantie s'applique.

Si vous avez besoin de service, voir d'abord la section "Dépannage" du Guide d'utilisation et d'entretien. Après avoir vérifié la section "Dépannage", de l'aide supplémentaire peut être trouvée en vérifiant la section "Assistance ou service" ou en appelant XLS Products. Aux États-Unis, composer le 1 800 207-1156. Au Canada, composer le 1 800 207-1156.

Conservez ce manuel et le reçu de vente au même endroit pour référence ultérieure. Pour un entretien ou une réparation sous garantie, un document attestant de la date d'achat ou d'installation doit être fourni.

Inscrivez les renseignements (relatifs à votre déshumidificateur) suivants pour vous aider à obtenir de l'aide ou une intervention de dépannage en cas de besoin. Vous devrez fournir le numéro de modèle et le numéro de série au complet. Vous trouverez ces renseignements sur la plaque signalétique située sur le produit.

Nom du revendeur \_\_\_\_\_

Adresse \_\_\_\_\_

Numéro de téléphone \_\_\_\_\_

Numéro de modèle \_\_\_\_\_

Numéro de série \_\_\_\_\_

Date d'achat \_\_\_\_\_

# SEGURIDAD DEL DESHUMEDECEDOR

## Su seguridad y la seguridad de los demás es muy importante.

Hemos incluido muchos mensajes importantes de seguridad en este manual y en su electrodoméstico. Lea y obedezca siempre todos los mensajes de seguridad.



Este es el símbolo de alerta de seguridad.

Este símbolo le llama la atención sobre peligros potenciales que pueden ocasionar la muerte o una lesión a usted y a los demás.

Todos los mensajes de seguridad irán a continuación del símbolo de advertencia de seguridad y de la palabra "PELIGRO" o "ADVERTENCIA". Estas palabras significan:

 **PELIGRO**

**Si no sigue las instrucciones de inmediato, usted puede morir o sufrir una lesión grave.**

 **ADVERTENCIA**

**Si no sigue las instrucciones, usted puede morir o sufrir una lesión grave.**

Todos los mensajes de seguridad le dirán el peligro potencial, le dirán cómo reducir las posibilidades de sufrir una lesión y lo que puede suceder si no se siguen las instrucciones.

## INSTRUCCIONES IMPORTANTES DE SEGURIDAD

**ADVERTENCIA: Para reducir el riesgo de incendio, descarga eléctrica, o lesiones personales al usar el deshumecedor siga estas precauciones básicas:**

- Enchufe en un tomacorriente de 3 terminales con conexión a tierra.
- No quite la terminal de conexión a tierra.
- No use un adaptador.
- Este aparato no ha sido diseñado para ser usado por personas (incluidos niños) con capacidades físicas, sensoriales o mentales reducidas, o con falta de experiencia y conocimiento, a menos que lo hagan bajo supervisión o siguiendo las instrucciones relativas al uso del aparato, a cargo de una persona responsable por su seguridad.
- No use un cable eléctrico de extensión.
- Desenchufe el deshumecedor antes de darle servicio.
- No beba el agua acumulada en el balde.
- Los niños pequeños deberán estar bajo supervisión para garantizar de que no jueguen con el aparato.

**GUARDE ESTAS INSTRUCCIONES**

State of California Proposition 65 Warnings:

WARNING: This product contains one or more chemicals known to the State of California to cause cancer.

WARNING: This product contains one or more chemicals known to the State of California to cause birth defects or other reproductive harm.

### Cómo desechar la unidad:

- Cuando necesite desechar la unidad, consulte con el distribuidor local o el centro de reciclaje local para pedir información sobre cómo desecharla de manera responsable para el medio ambiente.
- Recicle o deseche el material de embalaje del producto de manera responsable para el medio ambiente.

# REQUISITOS DE INSTALACIÓN

## Requisitos eléctricos— Todos los modelos

### **ADVERTENCIA**



#### **Peligro de Choque Eléctrico**

**Conecte a un contacto de pared de conexión a tierra de 3 terminales.**

**No quite la terminal de conexión a tierra.**

**No use un adaptador.**

**No use un cable eléctrico de extensión.**

**No seguir estas instrucciones puede ocasionar la muerte, incendio o choque eléctrico.**

Las clasificaciones eléctricas para su deshumecedor de aire están enumeradas en la etiqueta del número de modelo y de serie. La etiqueta con el número de serie y modelo está ubicada en el lado derecho del gabinete del deshumecedor.

## Requisitos eléctricos

- 115 voltios (103,5 mín. a 126,5 máx.)
- 0 a 12 amperios
- Disyuntor o fusible retardador de 15 amperios
- Si la unidad tiene una etiqueta que indica “Circuito simple solamente”, úsela solo con un circuito de tomacorriente único exclusivo. Si no hay disponible un circuito de tomacorriente único exclusivo, es responsabilidad del cliente hacer instalar un circuito de tomacorriente único por un electricista competente.
- Si la unidad no tiene la etiqueta “Circuito simple solamente”, se puede usar en cualquier circuito secundario con la tensión correcta y la clasificación adecuada de protección de corriente.

## Método de conexión a tierra recomendado

Este deshumecedor de aire debe estar conectado a tierra. El aparato está equipado con un cable de suministro eléctrico provisto de un enchufe con tres terminales. Para reducir al mínimo el peligro de posibles choques eléctricos, el cable debe estar enchufado en un tomacorriente de 3 terminales, conectado a tierra de acuerdo con los códigos y las ordenanzas locales. Si no hay disponible un tomacorriente concordante, es responsabilidad del cliente hacer instalar un tomacorriente de 3 terminales con conexión a tierra por un instalador eléctrico competente. También es responsabilidad del cliente:

- ponerse en contacto con un instalador eléctrico competente.
- asegurarse de que la instalación eléctrica sea adecuada y de conformidad con el Código Nacional Eléctrico, ANSI/NFPA 70, última edición, y con todos los códigos y las ordenanzas locales.

Pueden obtenerse copias de las normas señaladas en:

National Fire Protection Association  
1 Batterymarch Park  
Quincy, MA 02269

## Instrucciones de instalación

### **ADVERTENCIA**

#### **Peligro de Peso Excesivo**

**Use dos o más personas para mover e instalar el acondicionador de aire.**

**No seguir esta instrucción puede ocasionar una lesión en la espalda u otro tipo de lesiones.**

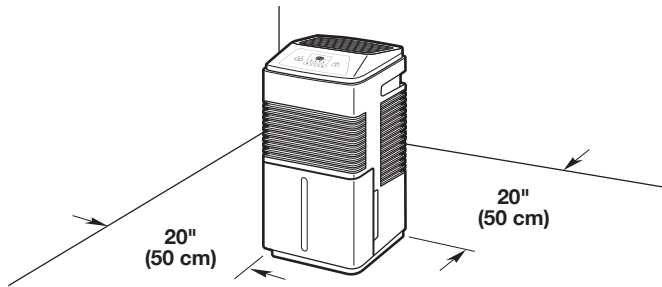
#### **Retire los materiales de empaque:**

- Manipule el deshumecedor de aire con cuidado mientras lo desempaca.
- Retire la parte superior de la caja y levante el deshumecedor de la plataforma de la base.
- Quite los restos de cinta y pegamento de las superficies de su deshumecedor antes de encenderlo. Frote un poco de detergente líquido para vajilla sobre el adhesivo con los dedos.
- No use instrumentos filosos, alcohol medicinal, líquidos inflamables o productos de limpieza abrasivos para eliminar los restos de cinta o adhesivo. Estos productos pueden dañar la superficie del deshumecedor de aire.
- Deseche o recicle el material de empaque de manera adecuada.

## Colocación

Este deshumecedor puede colocarse sobre un piso sólido, nivelado y estable que soporte su peso con un balde lleno de agua. Deje al menos 12-18" (30 a 45 cm) de separación con respecto a las paredes y los muebles. No permita que se cubra la entrada de aire con cortinas o paños, ya que se disminuirá el desempeño del aparato.

- Use el deshumecedor en una zona donde la temperatura no descienda a menos de 41°F (5°C). A temperaturas inferiores a 41°F (5°C), los serpentines pueden cubrirse de escarcha y el rendimiento puede disminuir.
- Use el deshumecedor en zonas de cocina, lavadero, baño y lavado de vajilla que tengan exceso de humedad.
- Use el deshumecedor para prevenir daños por la humedad en cualquier lugar donde se almacenen libros u objetos valiosos.
- Use el deshumecedor en un sótano para ayudar a prevenir la humedad.
- El deshumecedor debe funcionar en un lugar cerrado para que sea más efectivo.
- Cierre todas las puertas, ventanas y otras aberturas que comuniquen la habitación con el exterior.



## Conexión eléctrica

### ⚠ ADVERTENCIA



#### Peligro de Choque Eléctrico

**Conecte a un contacto de pared de conexión a tierra de 3 terminales.**

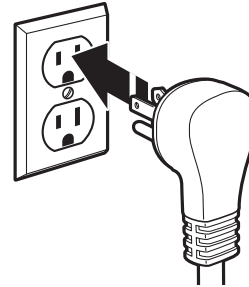
**No quite la terminal de conexión a tierra.**

**No use un adaptador.**

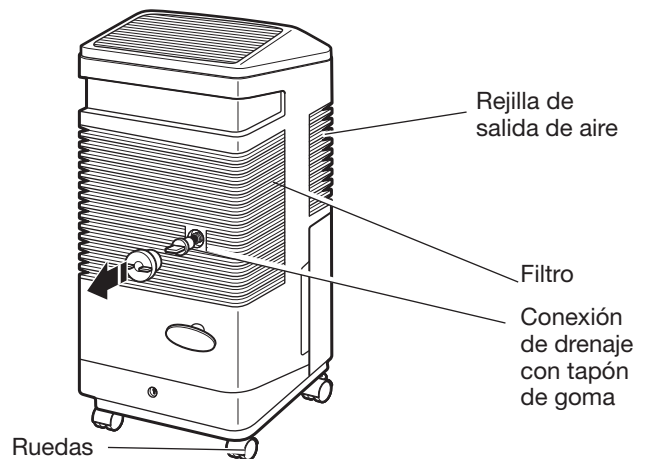
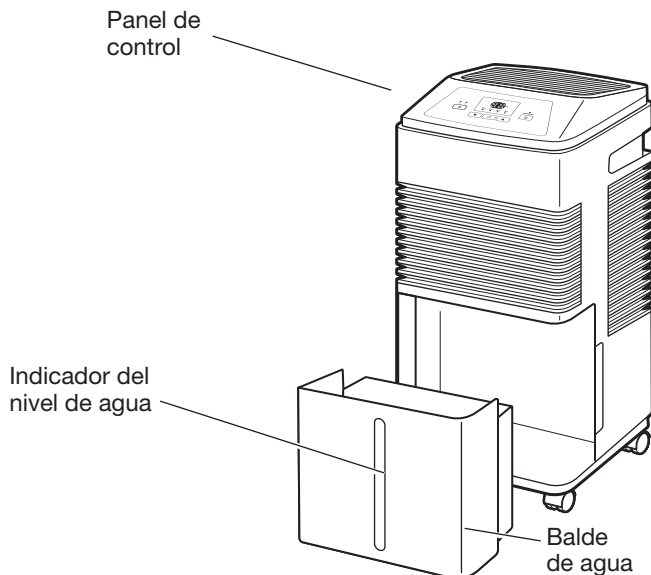
**No use un cable eléctrico de extensión.**

**No seguir estas instrucciones puede ocasionar la muerte, incendio o choque eléctrico.**

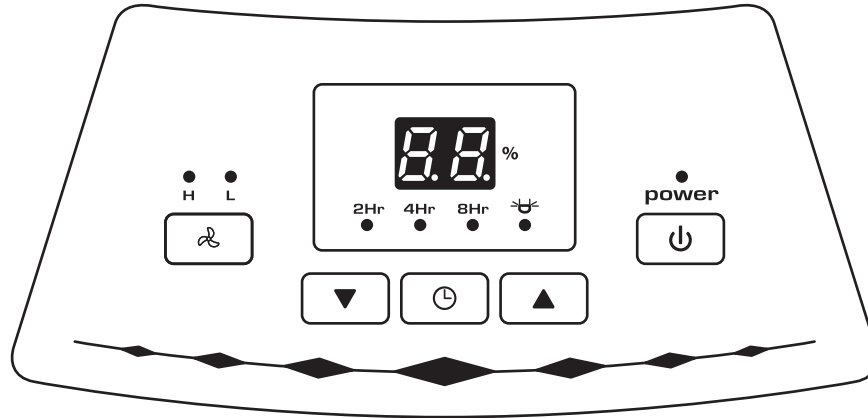
### Enchufe en un tomacorriente de 3 terminales con conexión a tierra



## PIEZAS Y CARACTERÍSTICAS



# USO DEL DESHUMEDECEDOR



## Cómo encender o apagar el deshumecedor de aire

Cuando conecte el deshumecedor por primera vez, emitirá un sonido y la pantalla mostrará la temperatura actual y el nivel de humedad relativa.

Presione POWER (Encendido) para encender o apagar el deshumecedor.

### IMPORTANTE:

- Cuando opere por primera vez el deshumidificador, hágalo funcionar en modo continuo durante 24 horas.
- Si apaga el deshumecedor de aire, espere al menos 3 minutos antes de volver a encenderlo.
- No intente usar el deshumecedor si la temperatura en la habitación es menor que 41°F (5°C) o mayor que 95°F (35°C).

**NOTA:** en caso de un corte de electricidad, el deshumecedor de aire funcionará con los ajustes previos cuando se restablezca la electricidad.

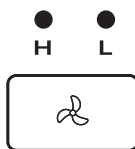


## Cómo seleccionar la velocidad del ventilador

La velocidad del ventilador tiene 2 ajustes:

- Alta (H)
- Baja (L)

Presione el botón Ventilación hasta que se ilumine la luz indicadora del ajuste deseado.



## Selección del nivel de humedad

Presione los botones con las flechas hacia arriba o hacia abajo para aumentar o disminuir la configuración de humedad. El nivel de humedad relativa se puede fijar entre 30% y 80%.

Cada vez que se presione el botón, la humedad deseada de la habitación cambiará un 5%. La unidad se encenderá y se apagará para mantener el nivel de humedad seleccionado en la pantalla digital.

## Uso del temporizador

### Apagado automático

Se puede ajustar el deshumecedor para que se apague automáticamente después de un número de horas establecido, hasta 14 horas.



### Para ajustar el apagado automático:

1. Con el deshumecedor encendido, presione TIMER (Temporizador).
2. Presione el botón Timer (Temporizador) para aumentar el tiempo del temporizador en incrementos de 2 horas hasta 14 horas. Después de 14 horas, presione el botón Timer (Temporizador) nuevamente para cancelar la función del temporizador.
3. Después del tiempo ajustado, el deshumecedor se apagará automáticamente.

## Indicador de balde lleno

Cuando el balde de agua está lleno, la unidad se apaga automáticamente, emite un pitido y el indicador Bucket Full (Balde lleno) se ilumina. Vea la sección "Cómo vaciar el balde de agua" para más información.

## Descongelado automático

Si el deshumecedor funciona durante un tiempo prolongado en temperaturas bajas, puede formarse hielo en los serpentines de enfriamiento. Si esto ocurre, el compresor del deshumecedor se apagará y el ventilador funcionará hasta que el hielo acumulado se haya fundido. Cuando los serpentines están completamente libres de escarcha, el compresor o el ventilador (dependiendo del modelo) se reiniciará automáticamente y la deshumidificación se reanudará.

## Cómo vaciar del balde de agua

### ⚠️ ADVERTENCIA

#### Peligro de enfermedad

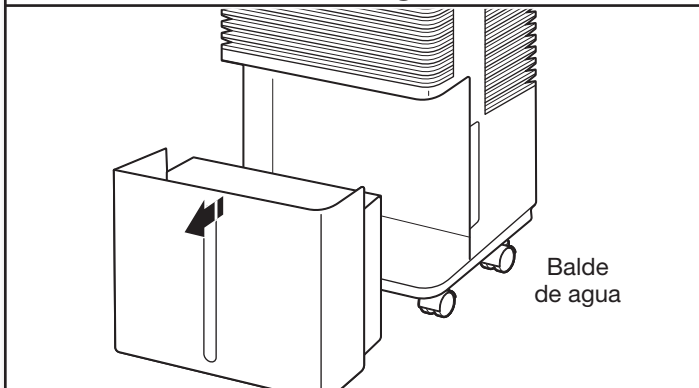
No tome el agua acumulada en el balde.

No seguir esta instrucción puede ocasionar una enfermedad.

Cuando el balde de recolección de agua se llena, el indicador Bucket Full (Balde lleno) se ilumina y el deshumecedor se apaga. El deshumecedor no funcionará hasta que el balde de agua sea vaciado y vuelto a colocar.

Cuando el balde se retira de la máquina, el compresor se apaga, pero el ventilador sigue funcionando durante algunos minutos. Eso es normal. El deshumecedor no estará extrayendo humedad del aire en ese momento.

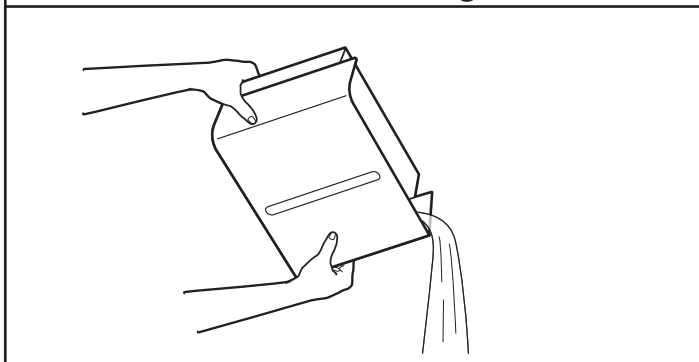
### 1. Quite el balde de agua



Para retirar el balde de agua, tire recto hacia afuera desde la parte inferior del frente del deshumecedor. El balde tiene una manija para facilitar el transporte.

**NOTA:** No coloque un balde lleno sobre el piso, ya que la base no es pareja y el balde puede volcarse.

### 2. Vaciado del balde de agua



**NOTA:** Sostenga el balde de agua con las dos manos cuando lo vacíe. Vacíe el balde de agua en un lavabo o desagüe. Deslice el balde de agua para volver a colocarlo en el deshumecedor.

## Modo continuo y conexión de manguera de desagüe (opcional)

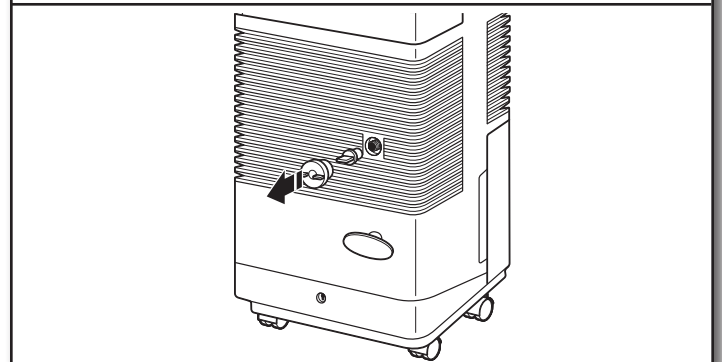
El modo continuo permite que la unidad funcione continuamente (según el nivel de humedad seleccionado) sin tener que vaciar el balde de agua.

Para el desagüe continuo, conecte una manguera (no se incluye) para drenar el agua hacia un desagüe de piso.

La conexión de desagüe usa un conector de manguera de jardín estándar. La manguera de desagüe debe estar por debajo del puerto de desagüe en la parte posterior del deshumecedor para asegurar el drenaje adecuado.

**NOTA:** Use una GHT o "rosca de manguera de jardín", que tiene un diámetro externo de 1<sup>1</sup>/<sub>16</sub>" (27 mm) y 11,5 TPI (roscas por pulgada).

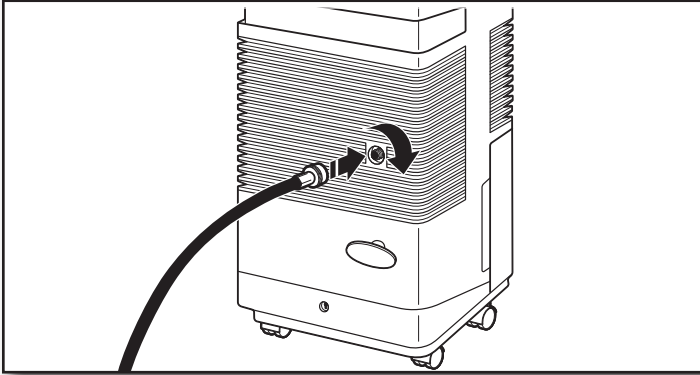
### 1. Retire el tapón de la conexión de desagüe



Coloque el deshumecedor sobre una superficie nivelada. Desenrosque la tapa de la parte posterior de la unidad para acceder a la conexión de desagüe.



## 2. Instale la manguera de desagüe



**IMPORTANTE:** Para poder conectar la manguera de desagüe, debe quitar el tapón de desagüe de la unidad y tirar del tubo de conexión interno hacia afuera hasta oír o sentir que haga dos clics.

Inserte la manguera de desagüe (no se incluye) en la conexión de desagüe en el deshumecedor. Dirija el resto de la manguera hasta un desagüe del piso y corte a medida (no más de 6' [1,82 m] de longitud). Asegúrese de que el agua fluya por la manguera y que no haya torceduras ni nudos en la manguera de jardín. Encienda la unidad y presione el botón Mode (Modo) hasta ajustar el modo Continuous (Continuo).

**NOTA:** La unidad volverá automáticamente a usar el balde de desagüe si la manguera no está correctamente instalada.

## CUIDADO Y LIMPIEZA

Su nuevo deshumecedor está diseñado para proporcionarle años de servicio confiable. Esta sección le ofrece información acerca de la limpieza y el cuidado adecuados de su deshumecedor.

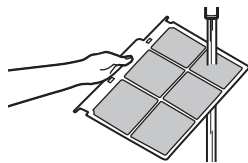
### Limpieza del filtro

El filtro se puede desmontar para facilitar su limpieza. Un filtro limpio ayuda a quitar el polvo, las pelusas y otras partículas del aire y es importante para una óptima eficiencia en la operación. Revise el filtro cada 2 semanas para ver si debe limpiarlo.

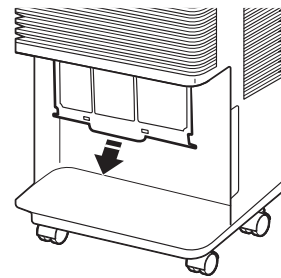
**NOTA:** Para un rendimiento óptimo, no haga funcionar el deshumecedor si el filtro no está colocado en su lugar.

Enjuague el filtro bajo un chorro de agua. Si está muy sucio, lave el filtro con agua tibia y un detergente suave.

**NOTA:** no lave el filtro en la lavavajillas ni use limpiadores químicos; eso puede dañarlo. Seque el filtro al aire antes de colocarlo nuevamente, para asegurar la máxima eficiencia.



### Retire el filtro



Para retirar el filtro de la parte trasera de la unidad, presione con los pulgares las lengüetas directamente encima del filtro.

#### Reinstalación del filtro:

1. Espere hasta que el filtro esté completamente seco.
2. Reinstale el filtro en el deshumecedor.

### Limpieza del gabinete del deshumecedor

1. Apague el deshumecedor.
2. Limpie el gabinete del deshumecedor con un paño suave húmedo.
3. Seque con un paño suave.

### Limpieza del balde de agua

El balde de agua debe lavarse después de algunas semanas para evitar la formación de hongos y moho.

1. Quite el balde de agua.
2. Lave el balde con una mezcla de agua tibia y detergente suave.
3. Enjuague bien y luego vuelva a colocar el balde.

## ⚠ ADVERTENCIA

### Peligro de Peso Excesivo

**Use dos o más personas para mover e instalar el deshumecedor.**

**No seguir esta instrucción puede ocasionar una lesión en la espalda u otro tipo de lesiones.**

### Almacenamiento del deshumecedor

Si el deshumecedor no se usará durante un período prolongado, prepárelo para guardarlo con los pasos siguientes.

1. Apague el deshumecedor y desenchúfelo.
2. Vacíe el balde.
3. Retire, limpie y vuelva a instalar el filtro.

# SOLUCIÓN DE PROBLEMAS

Antes de solicitar servicio, pruebe las sugerencias que se incluyen a continuación para ver si puede resolver el problema sin ayuda externa.

## ⚠️ ADVERTENCIA



### Peligro de Choque Eléctrico

Conecte a un contacto de pared de conexión a tierra de 3 terminales.

No quite la terminal de conexión a tierra.

No use un adaptador.

No use un cable eléctrico de extensión.

No seguir estas instrucciones puede ocasionar la muerte, incendio o choque eléctrico.

PROBLEMA	CAUSAS POSIBLES	SOLUCIONES RECOMENDADAS
<b>El deshumecedor no se pone en marcha</b>	El deshumecedor está desenchufado.	Asegúrese de que el cable de alimentación esté conectado a una toma de tierra de 3 clavijas. Vea la sección "Requisitos electricos."
	Hay un fusible de la casa fundido o se disparó el cortacircuitos.	Revise el fusible de la casa/caja del disyuntor y reemplace el fusible o reinicie el interruptor. Vea la sección "Requisitos electricos."
	Corte de corriente	La unidad se volverá a poner en marcha cuando se restablezca la electricidad. Tactive el retardo del fusible (aprox. 3 minutos) para evitar que se desconecte el compresor. Es posible que la unidad no comience a enfriar en forma normal durante 3 minutos después de volverla a encender.
	El deshumecedor ha llegado al nivel de humedad ajustado o el balde está lleno.	El deshumecedor se apaga automáticamente cuando se produce alguna de estas condiciones. Cambie a un ajuste menor o vacíe el balde de agua y vuelva a colocarlo correctamente.
	El balde no está en la posición correcta.	Asiente el balde con seguridad en su lugar.
<b>El deshumecedor no seca el aire como debería</b>	El flujo de aire está restringido.	Asegúrese de que no haya cortinas, visillos ni muebles obstruyendo la parte frontal del acondicionador de aire.
	Es posible que el control de la temperatura no esté correctamente fijado.	Baje la temperatura del termostato ajustada.
	El control de humedad puede haberse ajustado demasiado alto.	Para secar más el aire, presione el botón con la flecha hacia abajo para reducir el porcentaje de humedad deseado en la habitación; o bien ajuste el deshumecedor en CO (modo continuo) para una deshumidificación máxima.
	La temperatura en la habitación es demasiado baja.	La extracción de humedad funciona mejor con temperaturas ambiente más altas. Las temperaturas ambiente más baja reducirán la velocidad de extracción de humedad. El deshumecedor está diseñado para funcionar a temperaturas superiores a 41°F (5°C).
	Las puertas y ventanas no están herméticamente cerradas.	Verifique que todas las puertas, ventanas y otras aberturas estén firmemente cerradas.
	Una secadora de ropa u otro electrodoméstico está generando más humedad que la que el deshumecedor puede extraer del aire.	Asegúrese de que la secadora de ropa o el otro electrodoméstico tenga ventilación hacia el exterior o apáguelo durante períodos de humedad alta.
	El deshumecedor se ha instalado recientemente.	Cuando esté recién instalado, espere al menos 24 horas para alcanzar la sequedad deseada.

<b>El deshumecedor parece funcionar excesivamente</b>	La zona que se debe deshumidificar es demasiado grande.	Es posible que la capacidad del deshumecedor no sea adecuada para el tamaño de la habitación.
	Las puertas y ventanas están abiertas.	Cierre todas las puertas y ventanas hacia el exterior.
<b>La escarcha aparece en las bobinas</b>	El deshumecedor se encendió recientemente o la temperatura ambiente es inferior a 41°F (5°C).	Esto es normal. La escarcha habitualmente desaparecerá en 60 minutos.
<b>Los controles no se pueden ajustar</b>	El compresor se apagará y el ventilador seguirá funcionando automáticamente durante unos 3 minutos en un ajuste fijo.	Esto es normal. Espere aproximadamente 3 minutos y ajuste la velocidad del ventilador al nivel deseado.
	Se mueve aire a través de la unidad.	Esto es normal.
<b>Hay agua en el piso</b>	La conexión de la manguera puede estar suelta.	Compruebe la conexión de la manguera y asegúrese de que esté apretada. Vea la sección "Modo continuo y conexión de manguera de desagüe" para más información.
	La manguera está instalada pero no desagüa.	Asegúrese de que la manguera esté colocada de modo que el agua fluya hacia un desagüe. Vea la sección "Modo continuo y conexión de manguera de desagüe" para más información.
<b>E1, E2, o E3 en la pantalla</b>	El deshumecedor muestra un código de error.	Contacto XLS para obtener ayuda.

## AYUDA O SERVICIO TÉCNICO

Antes de solicitar ayuda o servicio técnico, consulte la sección "Solución de problemas". Esto le podría ahorrar el costo de una visita de servicio técnico. Si igualmente necesita ayuda, siga las instrucciones que aparecen a continuación.

Cuando llame, tenga a mano la fecha de compra y el número completo de modelo y de serie de su electrodoméstico. Esta información nos ayudará a atender mejor a su solicitud.

### En EE. UU.

Llame al servicio al cliente de XLS Products sin costo alguno al:  
**1-800-207-1156.**

Nuestros consultores ofrecen ayuda para:

- Características y especificaciones de nuestra línea completa de electrodomésticos.
- Información sobre la instalación.
- Procedimientos de uso y mantenimiento.
- Venta de accesorios y piezas para reparación.
- Asistencia al cliente especializada.
- Recomendaciones de distribuidores locales, distribuidores de piezas para reparación y compañías que dan servicio. Los técnicos de servicio designados por XLS Products están capacitados para cumplir con la garantía del producto y ofrecer servicio después de la garantía en cualquier lugar de los Estados Unidos.

#### Para obtener más asistencia:

Si necesita asistencia adicional, puede escribir a XLS Products con sus preguntas o dudas a:

XLS Products, Inc.  
Customer Service  
P.O. Box 16262  
Philadelphia, PA 19114-0262

Incluya en su correspondencia un número de teléfono en el que se le pueda localizar durante el día.

### En Canadá

Llame al servicio al cliente de XLS Products sin costo alguno al:  
**1-800-207-1156.**

Nuestros consultores ofrecen ayuda para:

- Características y especificaciones de nuestra línea completa de electrodomésticos.
- Procedimientos de uso y mantenimiento.
- Accesorios y piezas para reparación.
- Recomendaciones de distribuidores locales, distribuidores de piezas para reparación y compañías que dan servicio. Los técnicos designados por XLS Products están capacitados para cumplir con la garantía del producto y ofrecer servicio después de la garantía en cualquier lugar de Canadá.

#### Para obtener más asistencia:

Si necesita asistencia adicional, puede escribir a XLS Products con sus preguntas o dudas a:

XLS Products, Inc.  
Customer Service  
P.O. Box 16262  
Philadelphia, PA 19114-0262

Incluya en su correspondencia un número de teléfono en el que se le pueda localizar durante el día.

# GARANTÍA DE XLS PRODUCTS PARA DESHUMEDECEDOR AMANA™

## GARANTÍA LIMITADA DE UN AÑO

Durante un año a partir de la fecha de compra, cuando este producto se opere y se mantenga de acuerdo con las instrucciones que se adjuntan o se suministran con el producto, XLS Products pagará las piezas de reemplazo y la mano de obra de reparación para corregir defectos en los materiales o en la mano de obra, o reemplazará el producto a nuestro criterio. El servicio deberá ser suministrado por una compañía de servicio designada por XLS Products. Esta garantía no cubre el filtro de aire.

### LO QUE XLS PRODUCTS NO PAGARÁ

1. Visitas de servicio técnico para corregir la instalación de su producto, enseñarle a usar su producto, cambiar fusibles de la casa o restablecer cortocircuitos, reemplazar o limpiar filtros, o corregir la instalación eléctrica.
2. Visitas de servicio técnico para reparar o reemplazar filtros de aire. Esos insumos están excluidos de la cobertura de la garantía.
3. Reparaciones cuando su producto se use para fines ajenos al uso doméstico normal de una sola familia.
4. Daños causados por accidente, alteración, uso indebido, abuso, incendio, inundación, actos fortuitos, instalación incorrecta, instalación que no esté de acuerdo con los códigos eléctricos o de plomería locales o el empleo de productos no aprobados por XLS Products.
5. Piezas de repuesto o costos de mano de obra de reparación para unidades que se empleen fuera de los Estados Unidos o Canadá.
6. Recogida y entrega. Este producto está diseñado para ser reparado en el hogar.
7. Reparaciones de piezas o sistemas como resultado de modificaciones no autorizadas que se hayan efectuado en el electrodoméstico.
8. Gastos de viaje y transporte para realizar el servicio del producto en lugares remotos.
9. La remoción y reinstalación de su electrodoméstico si estuviera instalado en un lugar inaccesible o si no estuviera instalado de conformidad con las instrucciones de instalación publicadas.

### EXCLUSIÓN DE GARANTÍAS IMPLÍCITAS; LIMITACIÓN DE RECURSOS

EL ÚNICO Y EXCLUSIVO RECURSO DEL CLIENTE SEGÚN LOS TÉRMINOS DE ESTA GARANTÍA LIMITADA SERÁ EL DE REPARAR EL PRODUCTO SEGÚN SE ESTIPULA EN LA PRESENTE. LAS GARANTÍAS IMPLÍCITAS, INCLUSO LAS GARANTÍAS DE COMERCIABILIDAD O DE IDONEIDAD PARA UN PROPÓSITO PARTICULAR, SE LIMITARÁN A UN AÑO O AL PERÍODO MÁS CORTO PERMITIDO POR LEY. XLS PRODUCTS NO SE RESPONSABILIZARÁ POR DAÑOS INCIDENTALES O CONSECUENTES. ALGUNOS ESTADOS Y PROVINCIAS NO PERMITEN LA EXCLUSIÓN O LIMITACIÓN DE DAÑOS INCIDENTALES O CONSECUENTES, O LIMITACIONES DE LA DURACIÓN DE GARANTÍAS IMPLÍCITAS DE COMERCIABILIDAD O IDONEIDAD, DE MODO QUE LAS LIMITACIONES O EXCLUSIONES ANTES MENCIONADAS PUEDEN NO APLICARSE EN SU CASO. ESTA GARANTÍA LE OTORGA DERECHOS LEGALES ESPECÍFICOS Y ES POSIBLE QUE TENGA TAMBIÉN OTROS DERECHOS QUE PUEDEN VARIAR DE UN ESTADO A OTRO O DE UNA PROVINCIA A OTRA.

Esta garantía no tiene vigor fuera de los cincuenta estados de los Estados Unidos y Canadá. Contacte a su distribuidor autorizado de XLS Products para determinar si corresponde otra garantía.

Si necesita servicio técnico, consulte primero la sección "Solución de problemas" del Manual de uso y cuidado. Después de consultar "Solución de problemas", puede buscar ayuda adicional consultando la sección "Ayuda o servicio técnico" o llamando a XLS Products. En los EE. UU., llame al 1-800-207-1156. En Canadá, llame al 1-800-207-1156.

Guarde este libro y su comprobante de compra juntos para referencia futura. Deberá proporcionar el comprobante de compra o la fecha de instalación para obtener servicio técnico bajo la garantía.

Anote la siguiente información siguiente sobre su acondicionador de aire para facilitar la obtención de asistencia o servicio si llegara a necesitarlo. Deberá tener a mano el número completo del modelo y la serie. Puede encontrar esta información en la etiqueta con el número de modelo y de serie ubicada en el producto.

Nombre del distribuidor \_\_\_\_\_

Dirección \_\_\_\_\_

Número de teléfono \_\_\_\_\_

Número de modelo \_\_\_\_\_

Número de serie \_\_\_\_\_

Fecha de compra \_\_\_\_\_