

# Absenicon

## C-Series Ultrawide Screen User Manual



## Catalogue

Safety Information.....	- 1 -
1. product presentation.....	- 4 -
1.1 Main characteristics of products.....	- 5 -
1.2 size of product.....	- 6 -
1.3 Screen body size drawing (mm).....	- 8 -
1.3.1 C154 Screen Body Size Drawing (mm).....	- 8 -
1.3.2 C181 screen body size drawing (mm).....	- 9 -
1.3.3 C208 Screen body size drawing (mm).....	- 10 -
1.4 Standard packaging.....	- 11 -
1.4.1 C154 standard packaging.....	- 11 -
1.4.2 C181 standard packaging.....	- 12 -
1.4.3 C208 standard packaging.....	- 12 -
2. Mounting Instructions.....	- 13 -
2.1 Installation instructions.....	- 13 -
2.2 C154 Wall-mounte Installation.....	- 14 -
2.3 C181 Wall mounted version.....	- 20 -
2.4 C208 Wall mounting.....	- 27 -
3. Products Maintenance.....	- 33 -
3.1 Tools preparation.....	- 33 -
3.2 Replacement guide for case accessories.....	- 33 -
3.3 Maintenance notes.....	- 35 -
4. Common problems.....	- 36 -

## Safety Information



### WARNING!

Please read the safety measures listed in this section carefully before installing, powering on, operating, or doing maintenance on this product.

The following marks on the product and in this manual indicate important safety measures.



**WARNING!**  
Safety risk! Might cause equipment damage or safety risk.



**WARNING!**  
Please read the manual before operating.



**WARNING!**  
Dangerous voltage! Might cause equipment damage or electric shock.



**WARNING!**  
Hot surface! Do not touch.



**WARNING!**  
Flammable!



**WARNING!**  
Possible damage to eyes.



**WARNING:** Be sure to understand and follow all safety guidelines, safety instructions, warnings and precautions listed in this manual.

This product is for professional use only!

This product may result in serious injury or death due to fire hazard, electric shock, and crushing hazard.



Please read this manual carefully before installing, powering up, operating and maintenance of this product.

Follow safety instructions in this manual and on the product. If you have any questions, please seek help from Absen.



**Beware of Electric Shock!**

- To prevent electric shock the device must be properly grounded during installation, Do not ignore using the grounding plug, or else there is a risk of electric shock.
- During a lightning storm, please disconnect the device's power supply, or provide other suitable lightning protection. If the equipment is not in use for a long time, please unplug the power cord.
- When performing any installation or maintenance work (e.g. removing the fuses, etc.) make sure to turn off the master switch.
- Disconnect AC power when the product is not in use, or before disassembling, or installing the product.
- The AC power used in this product must comply with local building and electric codes, and should be equipped with overload and ground fault protection.

- The main power switch should be installed at a location near the product and should be clearly visible and easily reached. This way in case of any failure the power can be promptly disconnected.
- Before using this product check all electrical distribution equipment, cables and all connected devices, and make sure all meet current requirements.
- Use appropriate power cords. Please select the appropriate power cord according to the required power and current capacity, and ensure the power cord is not damaged, aged or wet. If any overheating occurs, replace power cord immediately.
- For any other questions, please consult a professional.

#### Beware of Fire!



- Use a circuit breaker or fuse protection to avoid fire caused by power supply cables overloading.
- Maintain good ventilation around the display screen, controller, power supply and other devices, and keep a minimum 0.1 meter gap with other objects.
- Do not stick or hang anything on the screen.
- Do not modify the product, do not add or remove parts.
- Do not use the product in case ambient temperature is over 55 °C.

#### Beware of Injury!



- Warning: Wear a helmet to avoid injury.
- Ensure any structures used to support, fix and connect the equipment can withstand at least 10 times the weight of all the equipment.
- When stacking products, please hold products firmly to prevent tipping or falling.
- Ensure all components and steel frames are securely installed.
- When installing, repairing, or moving the product, ensure the working area is free of obstacles, and ensure the working platform is securely and stably fixed.
- In the absence of proper eye protection, please do not look directly at the lit screen from within a 1 meter distance.
- Do not use any optical devices that have converging functions to look at the screen to avoid burning the eyes.



**Product Disposal**

- Any component that has a recycling bin label can be recycled.
- For more information on collecting, reusing and recycling, please contact the local or regional waste management unit.
- Please contact us directly for detailed environmental performance information.



**WARNING:** Beware of suspended loads.



LED lamps used in the module are sensitive and can be damaged by ESD (electrostatic discharge). To prevent damage to LED lamps, do not touch when the device is running or switched off.



**WARNING:** The manufacturer shall not bear any responsibility for any incorrect, inappropriate, irresponsible or unsafe system installation.

# 1. product presentation

The Absenicon C-series Ultrawide screen brings a more natural and high-efficient hybrid conference experience. The series has three screen sizes, 154", 181" and 208", which is suitable for 21:9 screen display. The series is designed for video conferencing, board meetings, online education and other scenarios, and it can pair with collaborated video platforms such as Microsoft Teams® and Zoom.

The appearance of Absenicon C-series Ultrawide screen will create a bright, open, efficient and intelligent conference environment, which can enhance the audience's attention, strengthen the influence of speech, and improve the efficiency of the conference.

Absenicon C-series Ultrawide screen will give a different large-screen visual experience to users in conference room, which can project the content of the speaker's intelligent terminal to the conference screen in real time, without complex cable connection, and easily realize the wireless projection of Windows, MacOS, iOS and Android multi-platform terminals. In addition, for different conference application scenarios, four modes are provided, so that the document demonstration, video playback, remote meeting, can achieve the best display effect. The functions of mode switching and fast screen casting of maximum four split-screen can meet the applications of various scenarios of the conference, and is widely used in the commercial conference scenarios of government and enterprise, design, medical care, education and other industries.

## 1.1 Main characteristics of products

### 1、 Ultrawide screen and multi-content make presentation more flexible

Absenicon C-series Ultrawide screen expands the view on horizontal way. It has 33% more space screen than traditional 16:9 LED screen, which means it can display more windows, group tasks, and other contents. The product is not only especially suitable for remote video conferencing, but also suitable for full-screen display of 2.35:1 wide screen films because it can avoid the appearance of black edges to give a wider view to the audience.

### 2、 Highly integrated design, easy to use

Absenicon C-series Ultrawide screen adopts highly integrated design, including Android 8.0 control system, LED module, box, edge, Wall mounting bracket, wires and all other necessary screen installation structures, which make the installation and usage become easy.

### 3、 Ultra-high screen ratio of immersive vision

There is no splicing gap between the box and no frame-lines inside the screen, showing the aesthetics of science and technology. The screen can blend into background with 5mm ultra-narrow frame and 98% screen-to-body ration to bring audiences to a more immersive viewing experience.

\* Top / left / right / bottom border width is 5 / 5 / 5 / 23mm respectively; the thinnest screen body is only 28.5mm

### 4、 Super hi-vision, showing the original world

Absenicon C-series Ultrawide screen has excellent color-displaying and contrast, which can restore enterprise logo, brand identity and color scheme more accurately. With 600 nits high brightness, the content is clearly visible in any environment without dim room lighting.

### 5、 Whole screen correction and excellent picture consistency

Calibrating the whole screen before leaving the factory uniforms the screen brightness and color, which can eliminate the phenomenon of Mosaic, bright / dark lines, uneven modularity and others.

### 6、 Low blue light eye protection is ergonomic

21:9 widescreen ratio is close to the human eye viewing field, ergonomic, and has low blue light certification, prolonged viewing time without fatigue.

\* The actual field of human vision is 200° horizontal and 130° vertical, which is narrow in width and wide in height (the static field of vision, without movement of head and eyeballs, has the characteristics that horizontal vision is open and vertical vision is relatively narrow. ) The horizontal / vertical vision ratio is about 25:9. Ration of C-series Ultrawide screen is close to the ration, so the screen is ergonomic and this ratio is the most comfortable.

### 7、 Remote control interface is simple and easy to use

Remote control enables switching, brightness / color temperature adjustment, content switching, page turning and other functions; the remote control adopts infrared and Bluetooth dual signal transmission mode, the maximum remote distance can reach 20m.

Compatible with the mainstream central control system: it can be integrated with the central control equipment such as Crestron and Extron by providing the network control protocol to quickly build a professional conference ecological environment, to achieve centralized control, and greatly improve the efficiency of business management

### 8、 Wireless screen projection of a variety of split screen modes

Screen projection: the laptop screen is immediately shared to the large screen through the screen projection. PPT, pictures and other documents are easily projected too, which makes work report faster.

Wireless flash cast and multi-device screen projection: support computer, mobile phone, tablet and other device; support full screen, two split screen, four split screen and other screen projection modes to present more content

and get efficient meeting decision.

### 9、 Intelligent system massive applications download

The C-series Ultrascreeen has Android 8.0 system and can be compatible with more software to meet more needs. At the same time, it supports 2.4GHz / 5GHz dual-band wireless signal which is smooth. You can cast the screen and surf the Internet simultaneously.

### 10、 Convenient installation and maintenance, easy transportation and entry

Absenicon C-series Ultrawide screen adopts the vertical large box module design, which can easily enter the gate and elevator and quick installation. LED module, power supply, receiving card and others all can be maintenance in front of screen. Equipped with special maintenance tools to achieve rapid disassembly.

\* The C series Ultrawide screen is expanded, which is based on the C Slim version, and the box structure installation and maintenance mode are consistent.

## 1.2 size of product

project	model	Absenicon C154	Absenicon C181	Absenicon C208
Display parameters	Size (inch)	154	181	208
	Display area (mm)	3660x1372	4270x1715	4880x 2058
	Overall machine size (mm)	3670x1400x28.5	4280x1743x28.5	4890×2086x28.5
	resolution ratio	2880*1080	2688*1080	2560*1080
	Standard brightness	600nit		
	contrast ratio	4000:1	5000:1	4000:1
	Color gamut width NTSC	110%		
Power parameters	Enter the power supply	AC 100-240V		
	mean power (W)	875	934	1067
	maximum power (W)	2625	2800	3200
system parameter	Android system	Android8.0		
	Handle the core	Main frequency 1.7G 64-bit quad-core processor, 2 * A73 + 2 * A53		
	System memory	DDR4-4GB		
	SC	16GB eMMC5.1		
	control interface	MiniUSB*1, RJ45*1		
	Input/output interface	HDMI2.0 IN*4,HDMI2.0 OUT*1, USB2.0*1, USB3.0*1, Audio OUT*1, SPDIF OUT*1, RJ45*1, Mini USB		

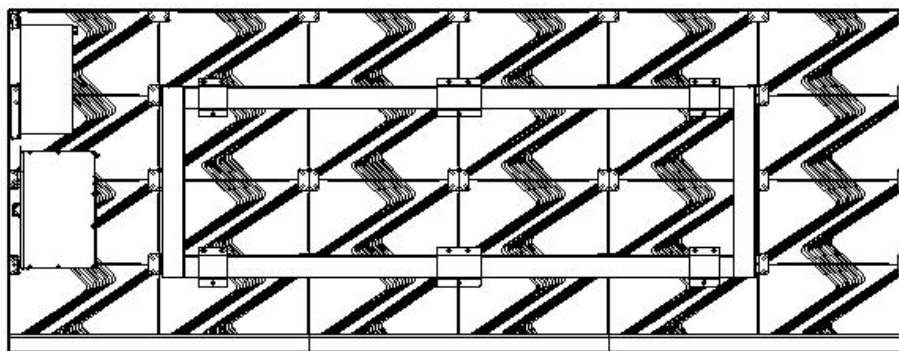
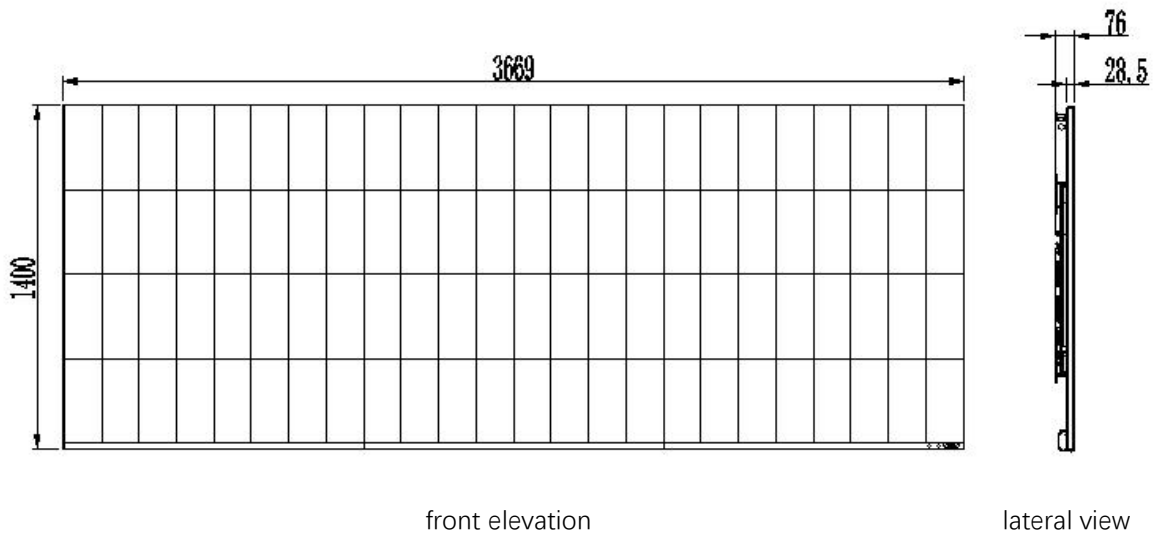


		The RJ 45 * 16 (1 Gps) output interface
OPS	optional	support
environmental parameter	working temperature	-10°C ~ 40°C
	Working humidity	10 ~ 80%RH
	Storage temperature	-40°C ~ 60°C
	Store humidity	10% ~ 85%

*NOTE: POWER WILL FLUCTUATE WITHIN ± 15%, DEPENDING ON THE BRIGHTNESS OF DIFFERENT BATCHES OF LIGHTS, SUBJECT TO ACTUAL CONDITIONS.*

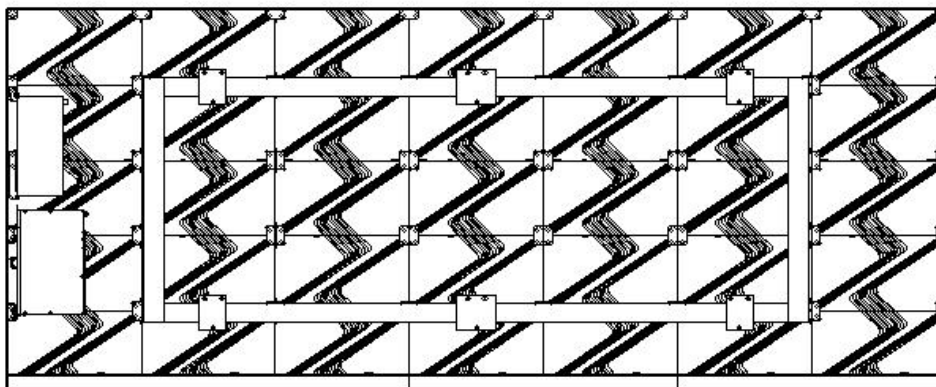
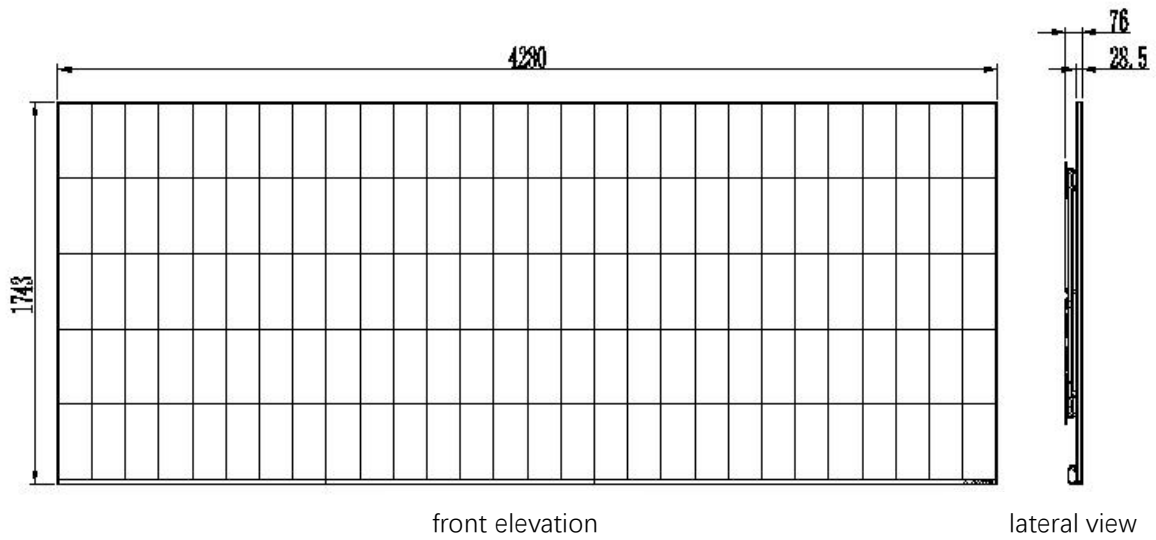
### 1.3 Screen body size drawing (mm)

#### 1.3.1 C154 Screen Body Size Drawing (mm)

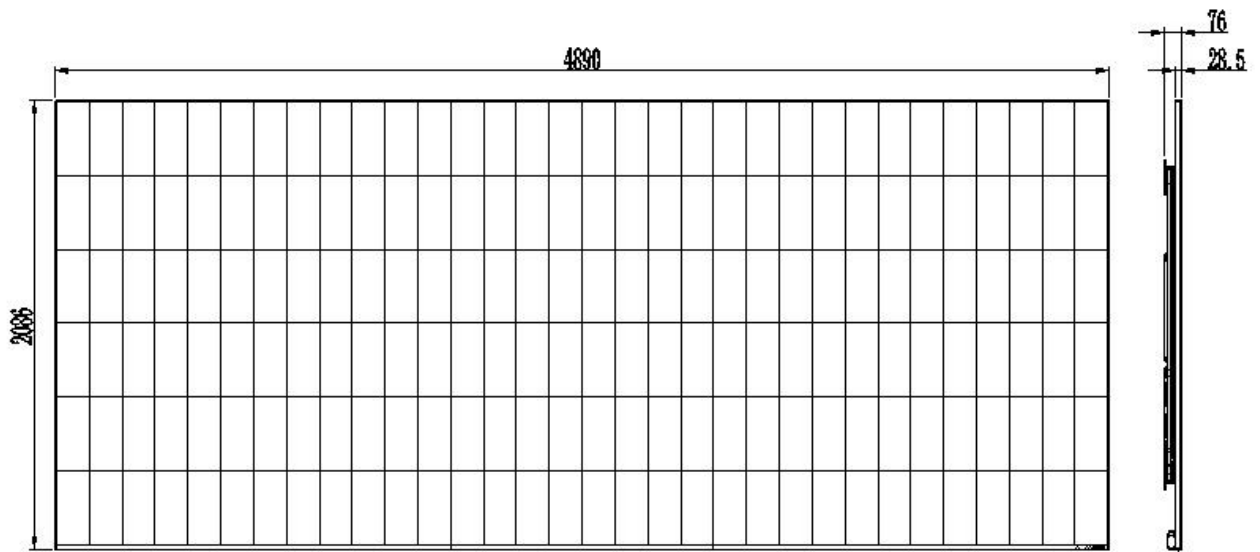


back view

### 1.3.2 C181 screen body size drawing (mm)

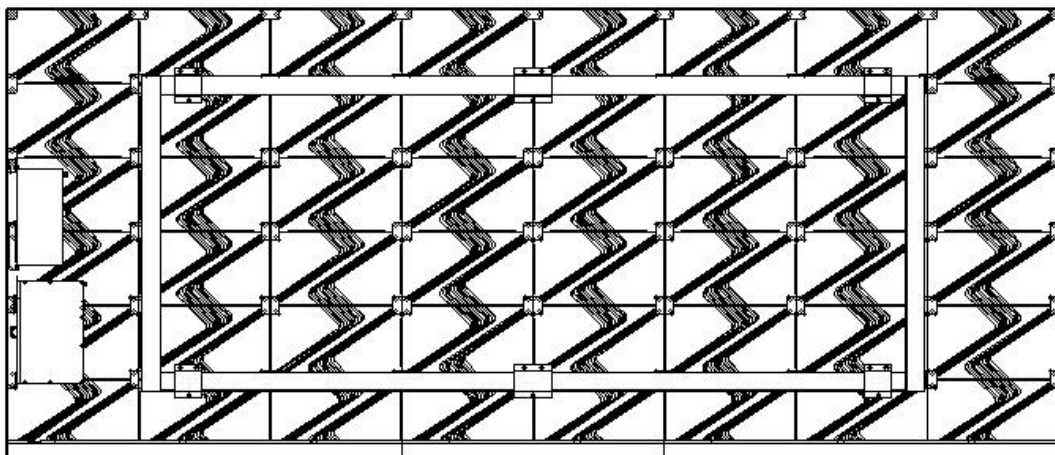


### 1.3.3 C208 Screen body size drawing (mm)



front elevation

lateral view

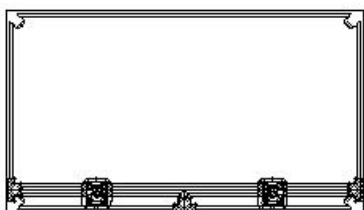


back view

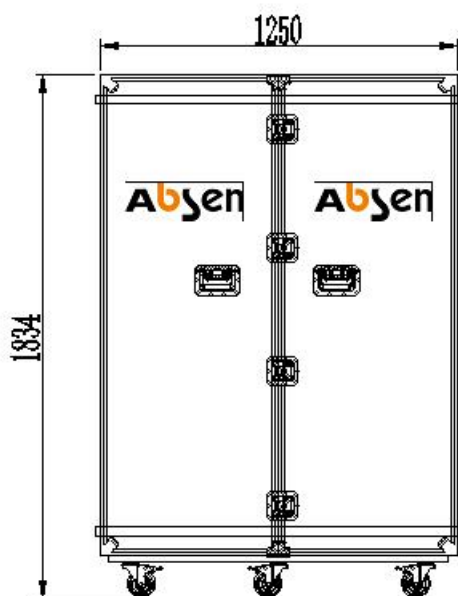
## 1.4 Standard packaging

### 1.4.1 C154 standard packaging

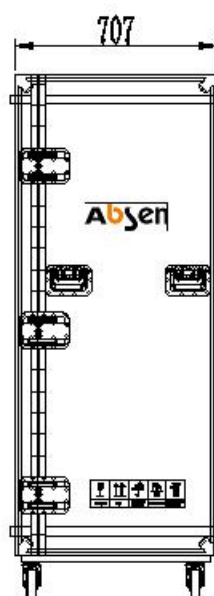
- The product packaging of the all-in-one machine is mainly shipped by one air box: including box module, control box, spare parts, package edge and back frame, etc.
- Overall dimension: 1834 \* 1250 \* 707mm



vertical view



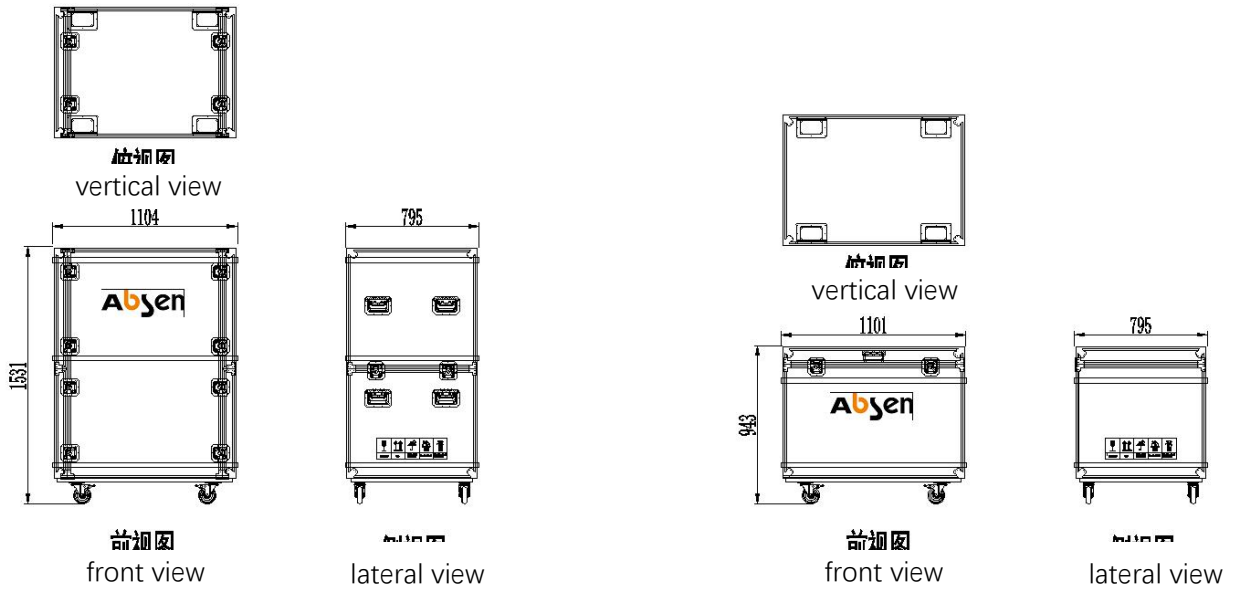
front view



lateral view

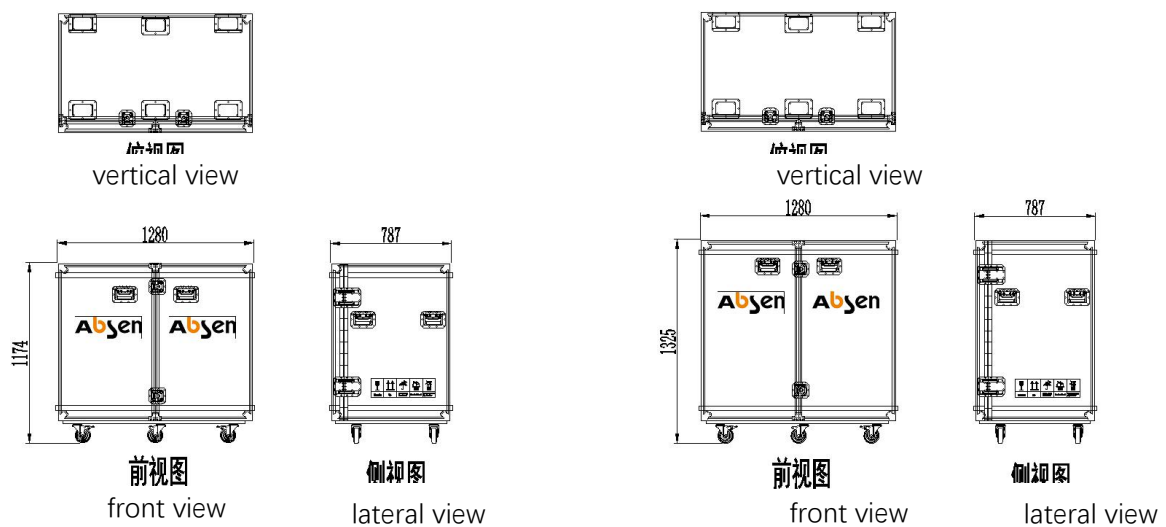
### 1.4.2 C181 standard packaging

- The product packaging of the all-in-one machine is mainly shipped by two air boxes: including box module, control box, spare parts, package edge and back frame, etc.
- Overall dimensions: 1531 \* 1104 \* 795mm, 935 \* 1101 \* 795mm



### 1.4.3 C208 standard packaging

- The product packaging of the all-in-one machine is mainly shipped by two air boxes: including box module, control box, spare parts, package edge and back frame, etc.
- Overall dimensions: 1174 \* 1280 \* 787mm, 1325 \* 1280 \* 787mm



## 2. Mounting Instructions

The product can only be wall-mounted.

The recommended thickness between the wall and the screen: the thickness of screen body and wall bracket are 28.5mm and 30mm respectively, so the distance is at least 76.25mm recommended.

### 2.1 Installation instructions

Because the product adopted the method of calibration for whole screen, in order to get the best display effect, it is better to install the screen with our recommended installation number.

Installation number diagram (front view):

1-1-1-1	1-1-1-2	1-1-1-3	1-1-1-4	1-1-2-1	1-1-2-2	1-1-2-3	1-1-2-4	1-1-3-1	1-1-3-2	1-1-3-3	1-1-3-4	1-1-4-1	1-1-4-2	1-1-4-3	1-1-4-4	1-1-5-1	1-1-5-2	1-1-5-3	1-1-5-4	1-1-6-1	1-1-6-2	1-1-6-3	1-1-6-4
1-1-1				1-1-2				1-1-3				1-1-4				1-1-5				1-1-6			
1-2-1-1	1-2-1-2	1-2-1-3	1-2-1-4	1-2-2-1	1-2-2-2	1-2-2-3	1-2-2-4	1-2-3-1	1-2-3-2	1-2-3-3	1-2-3-4	1-2-4-1	1-2-4-2	1-2-4-3	1-2-4-4	1-2-5-1	1-2-5-2	1-2-5-3	1-2-5-4	1-2-6-1	1-2-6-2	1-2-6-3	1-2-6-4
1-2-1				1-2-2				1-2-3				1-2-4				1-2-5				1-2-6			
1-3-1-1	1-3-1-2	1-3-1-3	1-3-1-4	1-3-2-1	1-3-2-2	1-3-2-3	1-3-2-4	1-3-3-1	1-3-3-2	1-3-3-3	1-3-3-4	1-3-4-1	1-3-4-2	1-3-4-3	1-3-4-4	1-3-5-1	1-3-5-2	1-3-5-3	1-3-5-4	1-3-6-1	1-3-6-2	1-3-6-3	1-3-6-4
1-3-1				1-3-2				1-3-3				1-3-4				1-3-5				1-3-6			
1-4-1-1	1-4-1-2	1-4-1-3	1-4-1-4	1-4-2-1	1-4-2-2	1-4-2-3	1-4-2-4	1-4-3-1	1-4-3-2	1-4-3-3	1-4-3-4	1-4-4-1	1-4-4-2	1-4-4-3	1-4-4-4	1-4-5-1	1-4-5-2	1-4-5-3	1-4-5-4	1-4-6-1	1-4-6-2	1-4-6-3	1-4-6-4
1-4-1				1-4-2				1-4-3				1-4-4				1-4-5				1-4-6			

**TIPS:**

The first digit is the screen number; the second digit is the box row number, from top to bottom, the first row at the top; the third digit is the box column number:

## 2.2 C154 Wall-mounte Installation

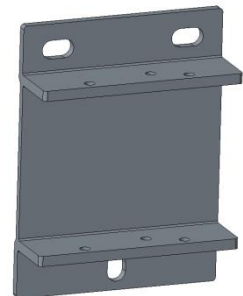
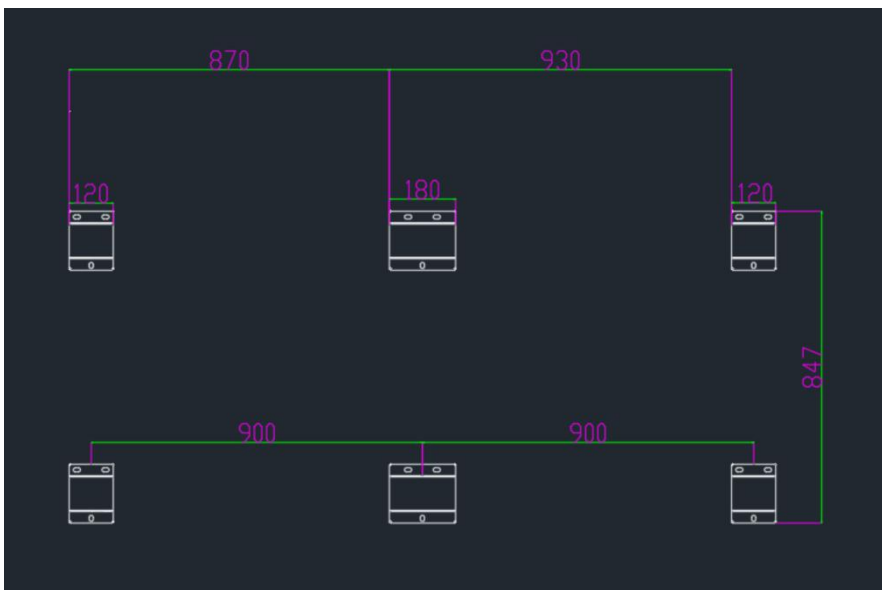
### 2.2.1 Mounting brackets

Taking out the back frames from the box, including horizontal and vertical beams, and putting them on the ground with the front side facing up (the side of the crossbeam with the silkscreen logo is the front side); Assembling the crossbeam first with 4 M3 screws.



### 2.2.2 installation of fixing angle code of back bracket

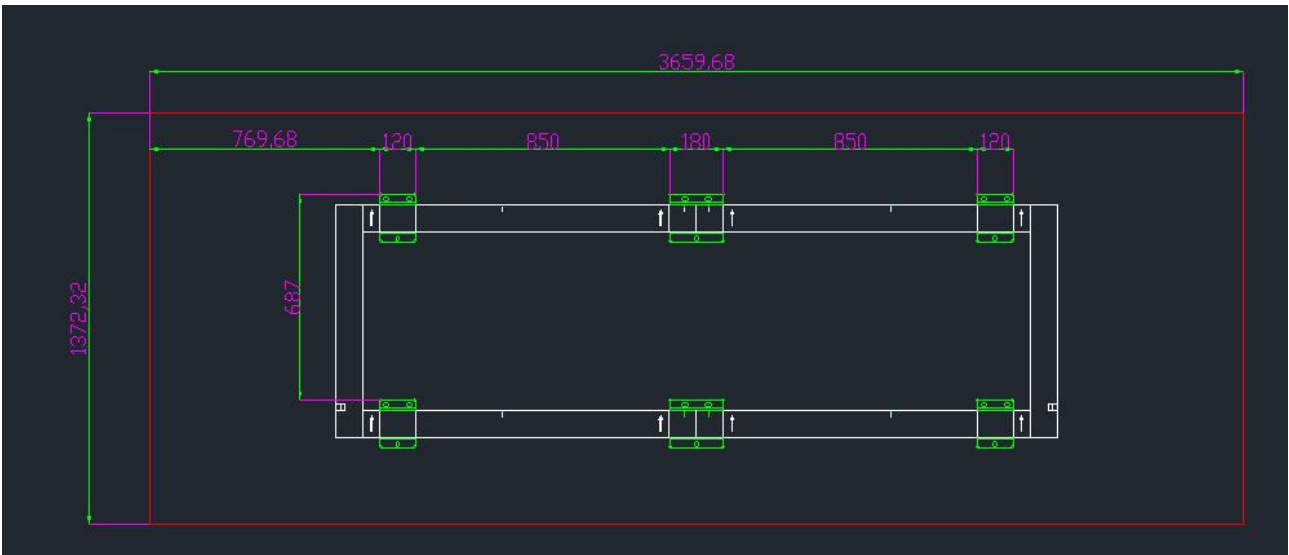
(1) Instructions for installing the fixing angle code of back bracket



Fixing angle code of back bracket  
(Each angle code should be fastened by 3 x M8 expansion screws)

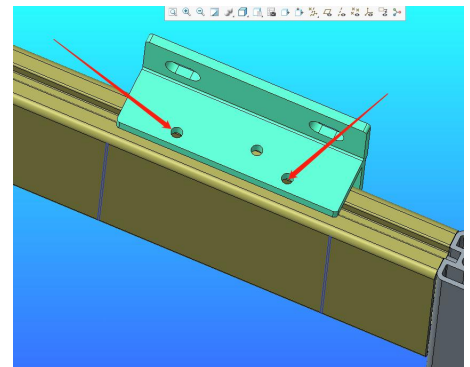
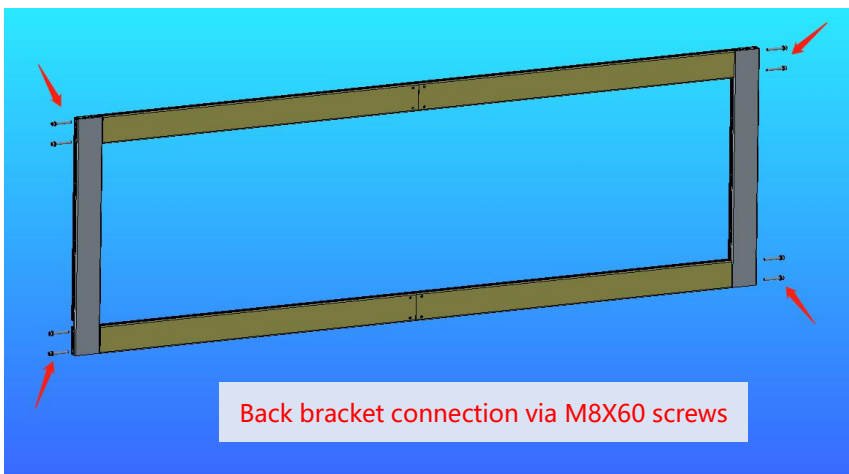
(2) The wall can be perforated to install the fixing angle code after confirming the position of installation of fixing angle codes and screen body





**2.2.3 Fixed wall bracket**

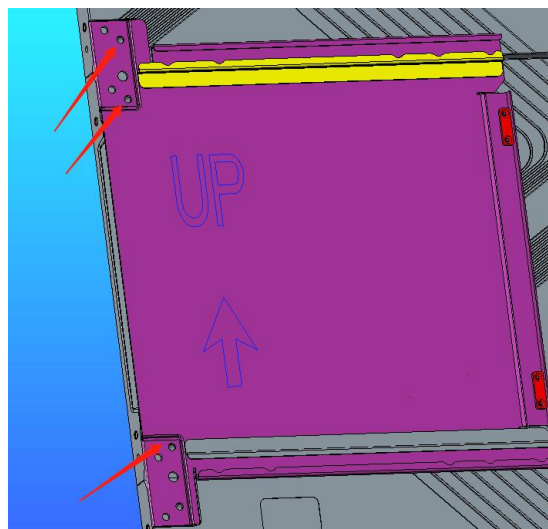
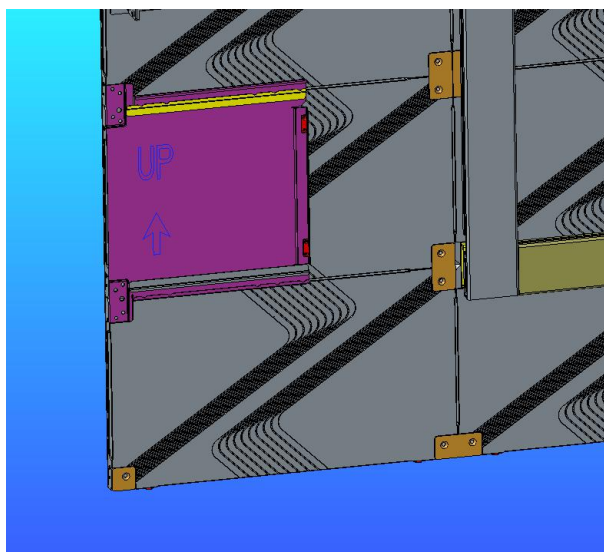
After the angle code have been installed, installing the wall brackets. Using two M8x60 screws for each positions and tightening the M4 security screws to prevent the back brackets from falling out.



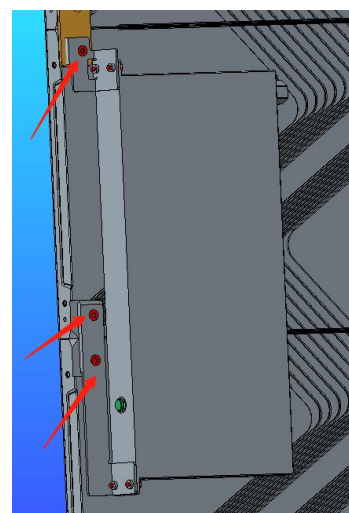
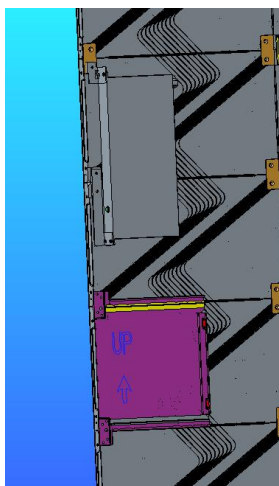
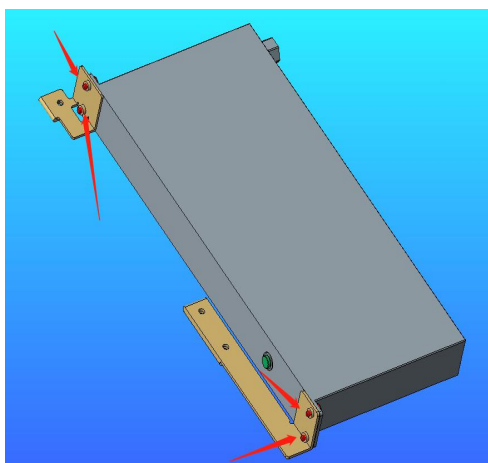
Each angel code should be tighten by at least one screw at its top and bottom

**2.2.4 Control box and power timer installation**

(1) Control box installation: use 4 M6 screws to fix the control box bracket to the rightmost column (front view) box, the second box below

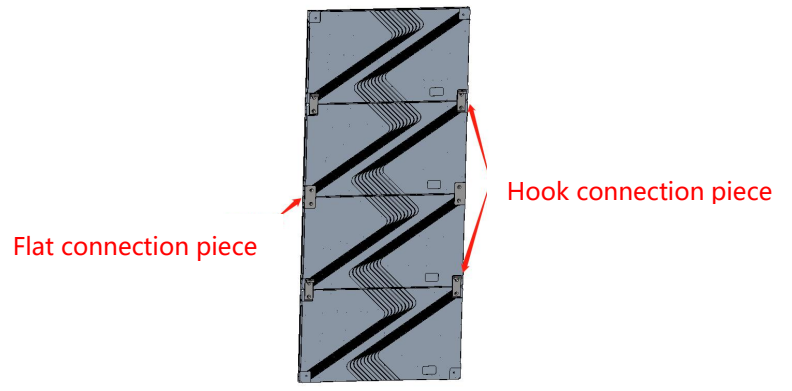
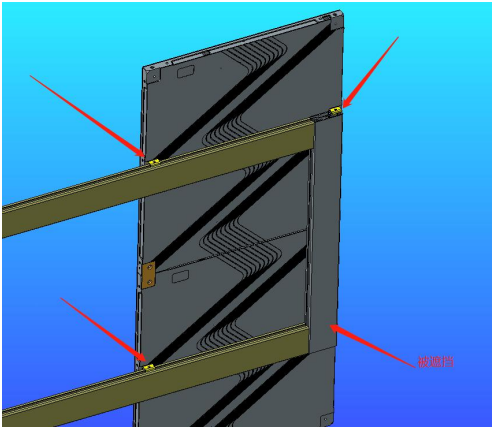


(2) Power timer installation: Use the screws inside the power network timer package to fix the bracket to the power network timer as shown, then install the whole thing above the control box bracket.



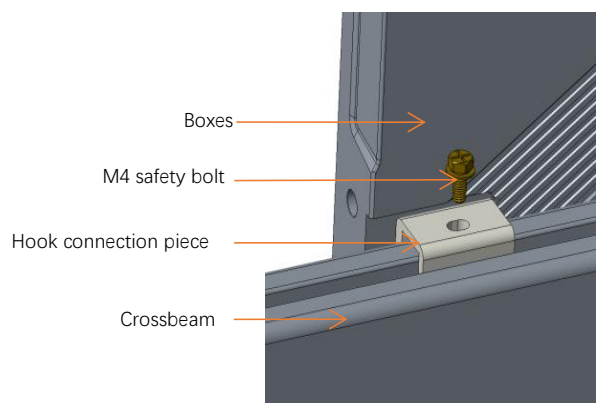
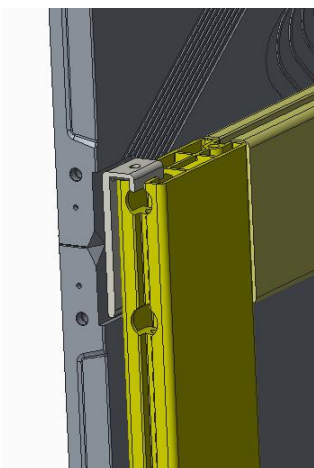
**2.2.5 Installation of the Cabinet**

(1) All LED cabinets need to be installed as column and each columns needs to be installed in the order of serial number. The two columns of edge need to be installed at last.



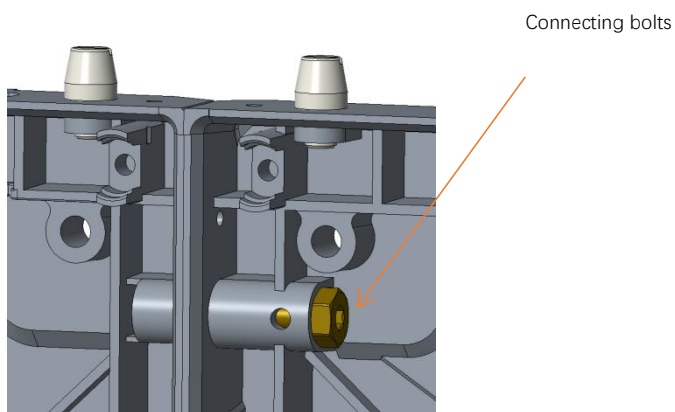
Obscure

(2) Because there are no hook connection on either edge of the cabinets, using a hose socket tool to tighten the screws on the adjacent side of the box to complete the installation of the LED cabinets.



Note: Detail shown. Hanging and locking M4\*4 security screw

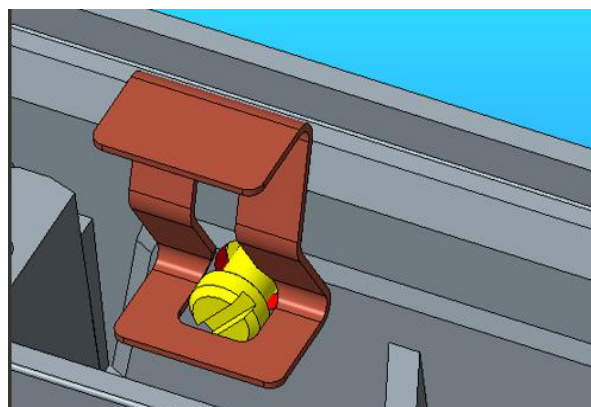
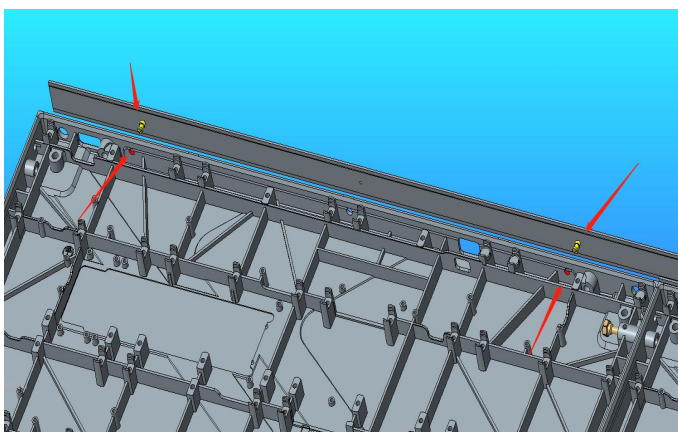
(3) Hanging the led cabinets on left and right edges, and then locking the connecting bolts on the cabinets. The four corner connecting piece of screen is the flat connection piece.



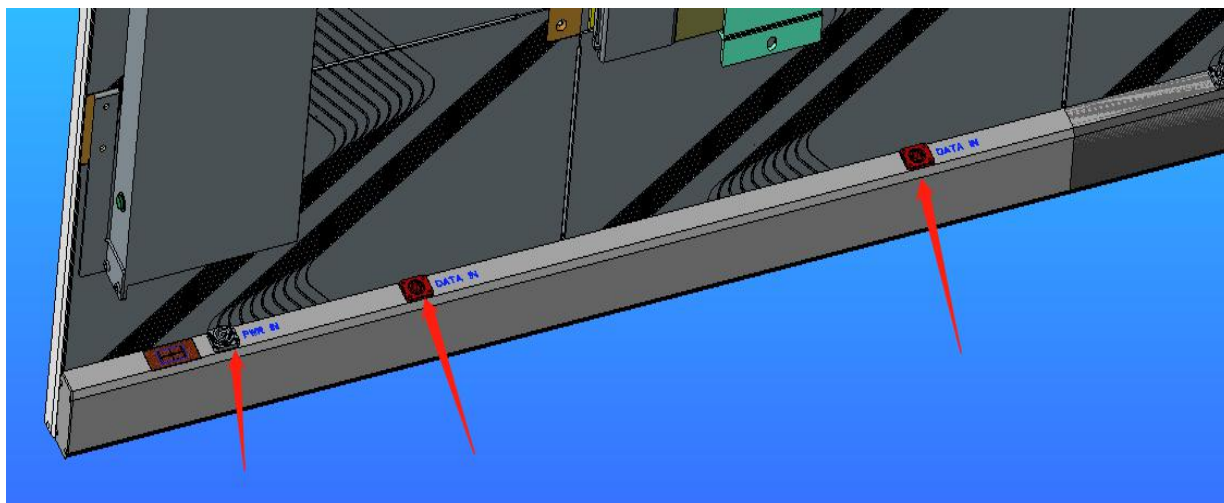
Note: The internal structure is based on the actual object.

### 2.2.6 Installation of trims

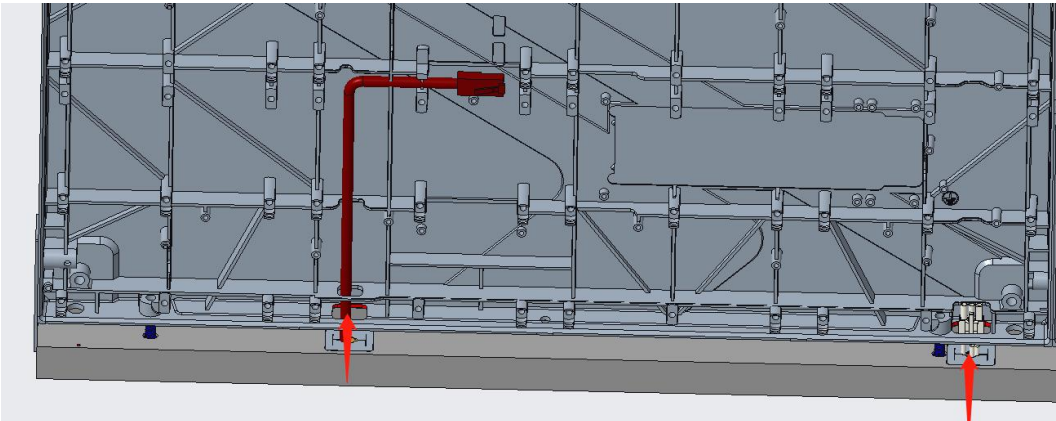
(1) Installation of the upper, left and right trims of the screen by trim positioning pillar and the corresponding positioning holes . Then, using the internal accessories of the trim to fix the installation.



(2) The installation of the bottom trim need to finish access of power and signal cables first. Then, assembling the bottom trim on the screen.



(3) Installing the bottom trim in sections with the screen. Locking the fixing screws of the bottom trim and cabinets after passing the network and power cables through the cabinets.



Note: The internal structure is based on the actual object.

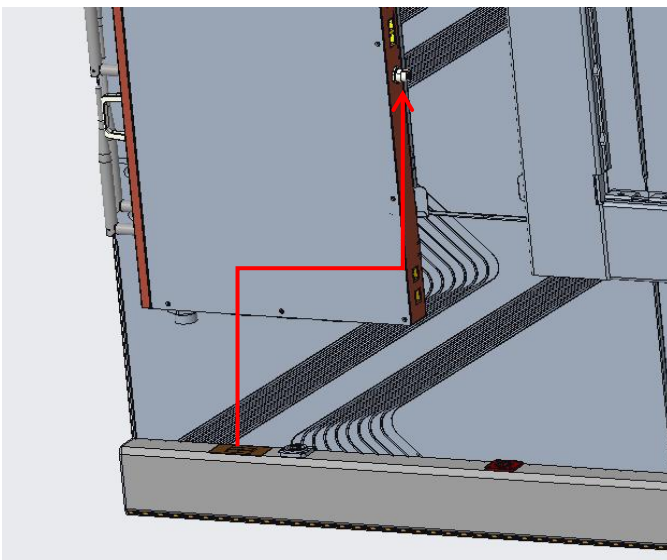
The logo and star button are mounted on the right hand side. It is recommended that installing right bottom trim first and then left bottom trim.

### 2.2.7 Mounting the control box

(1) Connecting the control box network cables. The connection starts with the port 1, according to the order of proximity to the control box.



(2) Connecting the IR extension cable



Assembling the control box by following the control box slide



**2.2.8 Mounting module**

1-1-1-1	1-1-1-2	1-1-1-3	1-1-1-4	1-1-2-1	1-1-2-2	1-1-2-3	1-1-2-4	1-1-3-1	1-1-3-2	1-1-3-3	1-1-3-4	1-1-4-1	1-1-4-2	1-1-4-3	1-1-4-4	1-1-5-1	1-1-5-2	1-1-5-3	1-1-5-4	1-1-6-1	1-1-6-2	1-1-6-3	1-1-6-4
1-1-1				1-1-2				1-1-3				1-1-4				1-1-5				1-1-6			
1-2-1-1	1-2-1-2	1-2-1-3	1-2-1-4	1-2-2-1	1-2-2-2	1-2-2-3	1-2-2-4	1-2-3-1	1-2-3-2	1-2-3-3	1-2-3-4	1-2-4-1	1-2-4-2	1-2-4-3	1-2-4-4	1-2-5-1	1-2-5-2	1-2-5-3	1-2-5-4	1-2-6-1	1-2-6-2	1-2-6-3	1-2-6-4
1-2-1				1-2-2				1-2-3				1-2-4				1-2-5				1-2-6			
1-3-1-1	1-3-1-2	1-3-1-3	1-3-1-4	1-3-2-1	1-3-2-2	1-3-2-3	1-3-2-4	1-3-3-1	1-3-3-2	1-3-3-3	1-3-3-4	1-3-4-1	1-3-4-2	1-3-4-3	1-3-4-4	1-3-5-1	1-3-5-2	1-3-5-3	1-3-5-4	1-3-6-1	1-3-6-2	1-3-6-3	1-3-6-4
1-3-1				1-3-2				1-3-3				1-3-4				1-3-5				1-3-6			
1-4-1-1	1-4-1-2	1-4-1-3	1-4-1-4	1-4-2-1	1-4-2-2	1-4-2-3	1-4-2-4	1-4-3-1	1-4-3-2	1-4-3-3	1-4-3-4	1-4-4-1	1-4-4-2	1-4-4-3	1-4-4-4	1-4-5-1	1-4-5-2	1-4-5-3	1-4-5-4	1-4-6-1	1-4-6-2	1-4-6-3	1-4-6-4
1-4-1				1-4-2				1-4-3				1-4-4				1-4-5				1-4-6			

Install the modules in numbered order.

**2.3 C181 Wall mounted version**

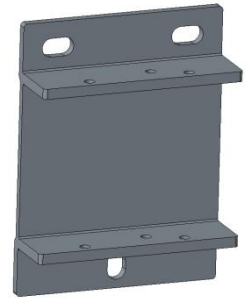
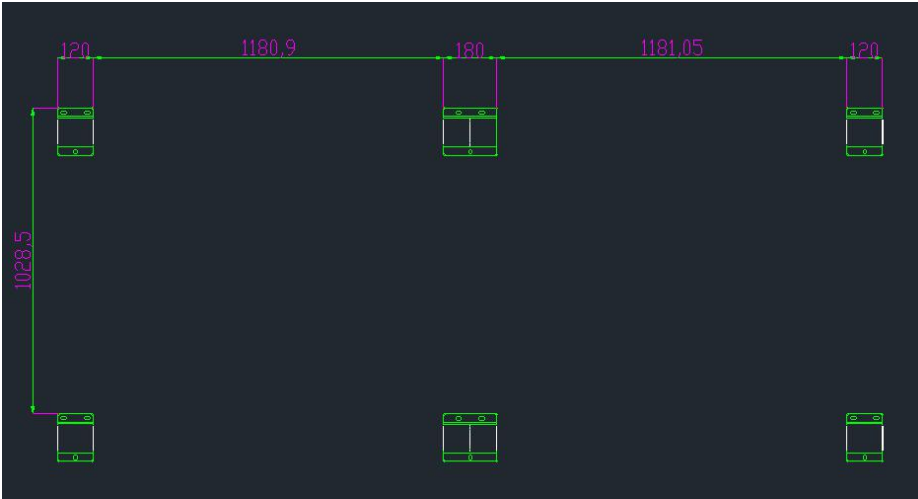
**2.3.1 Mounting bracket**

Taking out the back frames from the box, including horizontal and vertical beams, and putting them on the ground with the front side facing up (the side of the crossbeam with the silkscreen logo is the front side); Assembling the crossbeam first with 4 M3 screws.



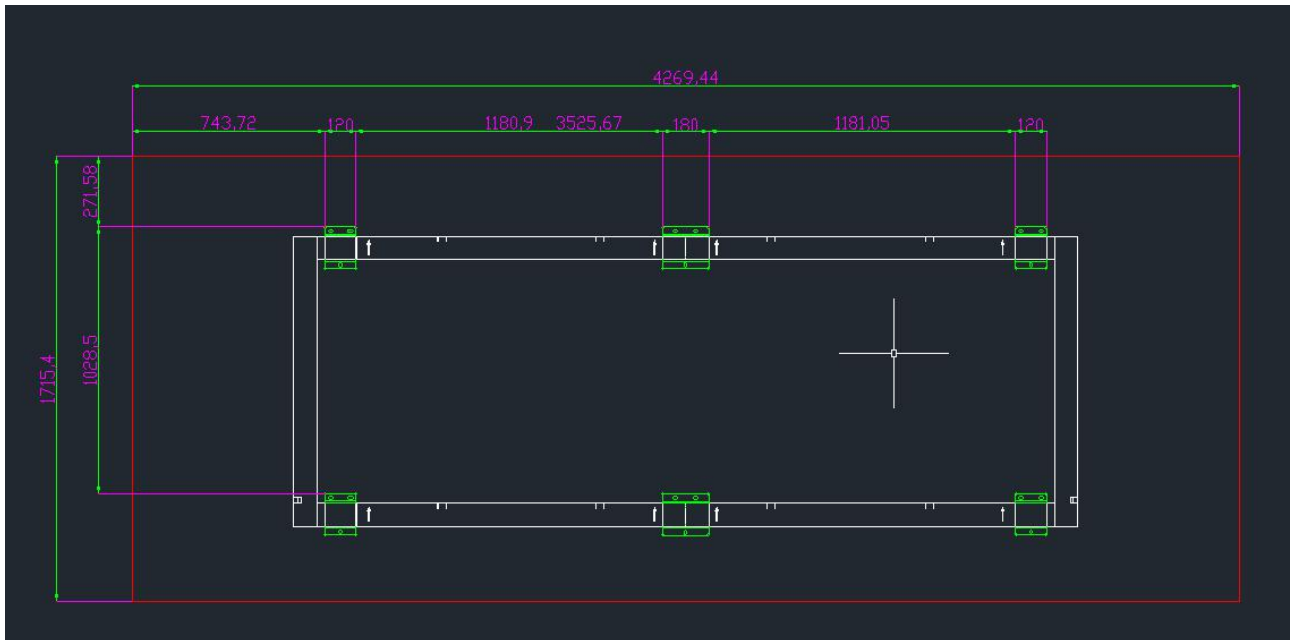
**2.3.2 installation of fixing angle code of back bracket**

(1) Instructions for installing the fixing angle code of back bracket



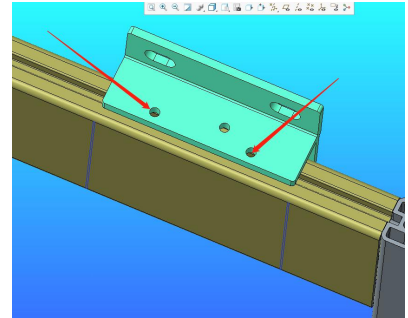
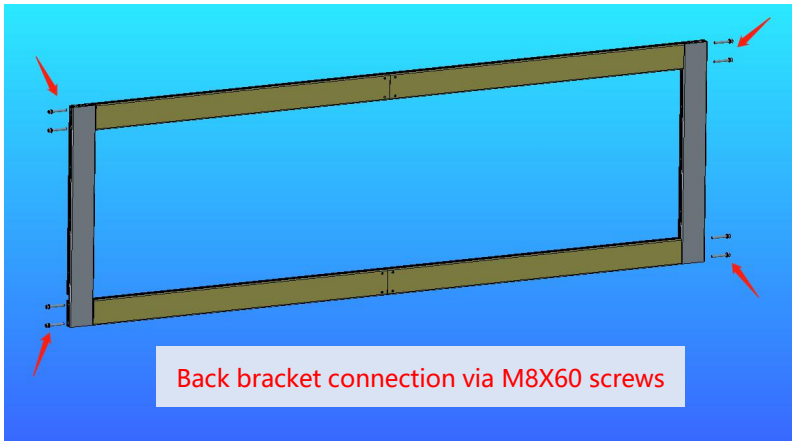
Fixing angle code of back bracket  
(Each angle code should be fastened by 3 x M8 expansion screws)

(2) The wall can be perforated to install the fixing angle code after confirming the position of installation of fixing angle codes and screen body.



**2.3.3 Fixed wall mount**

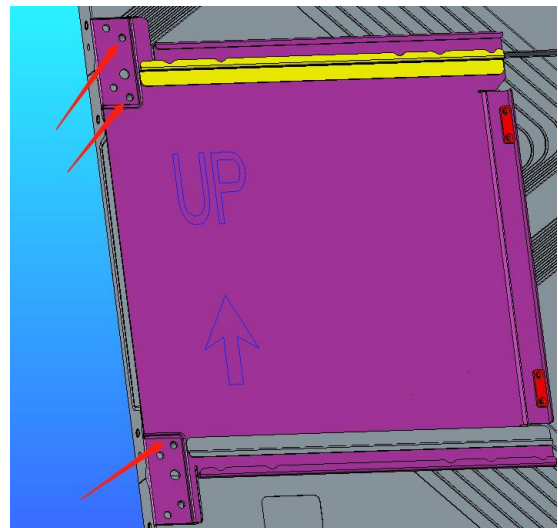
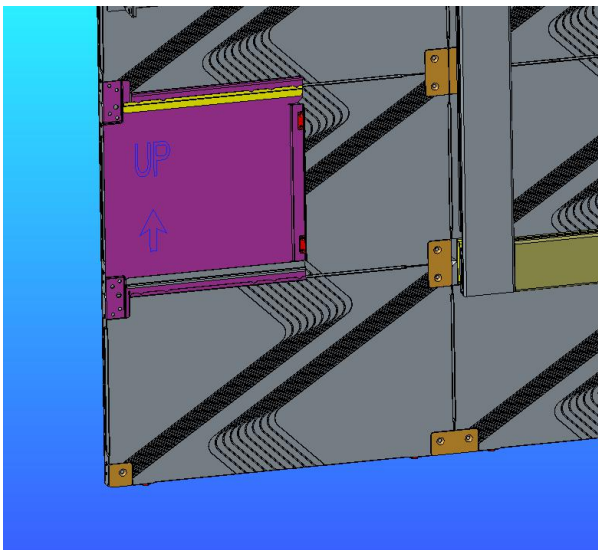
After the angle code have been installed, installing the wall brackets. Using two M8x60 screws for each positions and tightening the M4 security screws to prevent the back brackets from falling out.



Each angel code should be tighten by at least one screw at its top and bottom

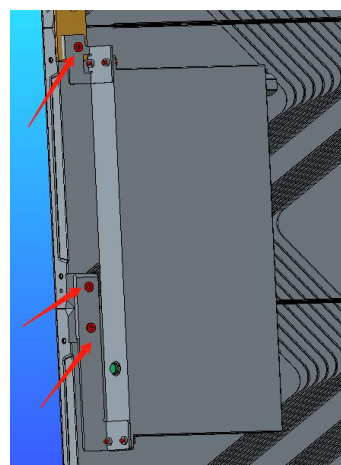
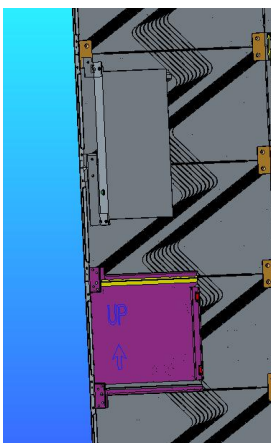
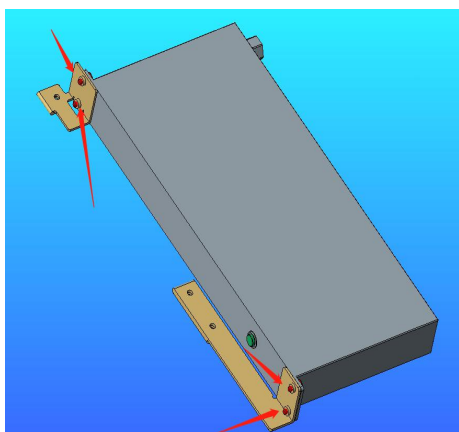
### 2.3.4 Control box with power timer installation

(1) Control box installation: use 4 M6 screws to fix the control box bracket to the rightmost column (front view) box, the second box below



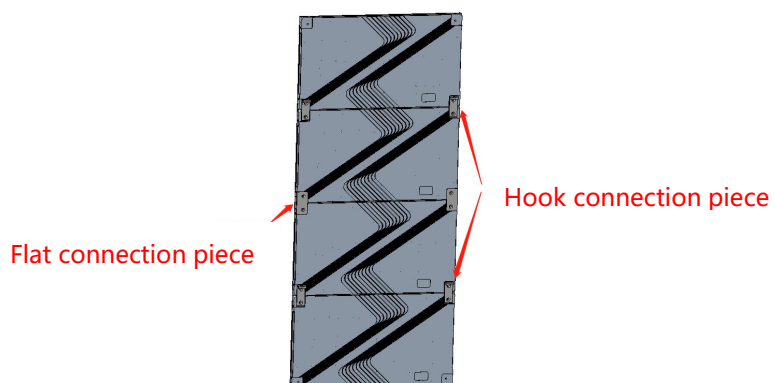
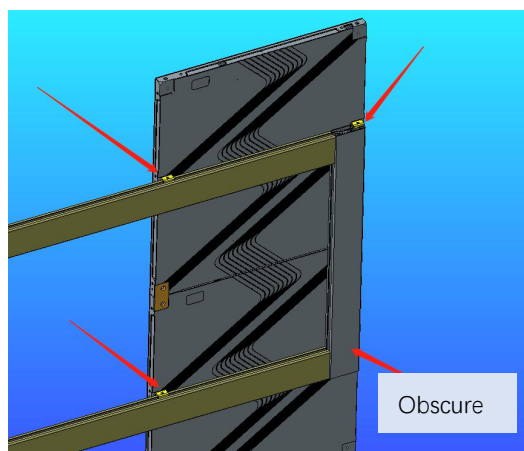
(2) Power timer installation: Use the screws inside the power network timer package to fix the bracket to the power network timer as shown, then install the whole thing-above the control box bracket.



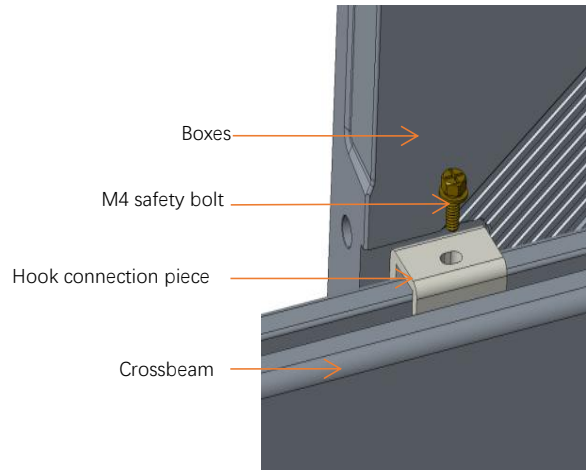
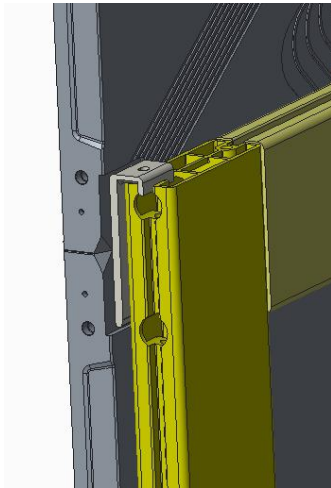


### 2.3.5 Mounting Cabinet

(1) All LED cabinets need to be installed as column and each columns needs to be installed in the order of serial number. The two columns of edge need to be installed at last.

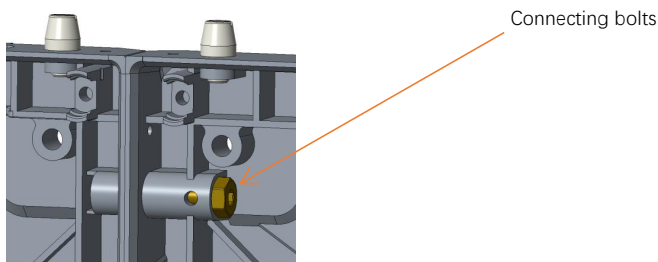


(2) Because there are no hook connection on either edge of the cabinets, using a hose socket tool to tighten the screws on the adjacent side of the box to complete the installation of the LED cabinets.



Note: Detail shown. Hanging and locking M4\*4 security screw

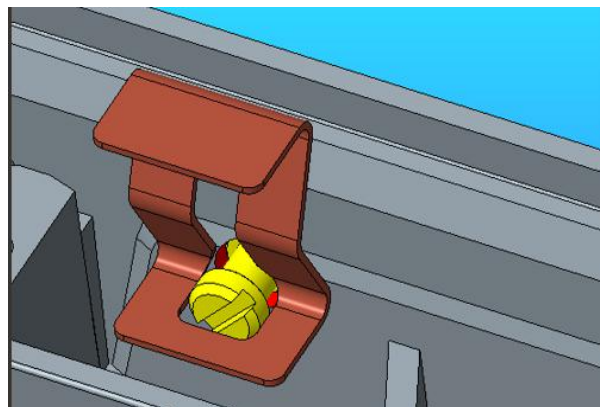
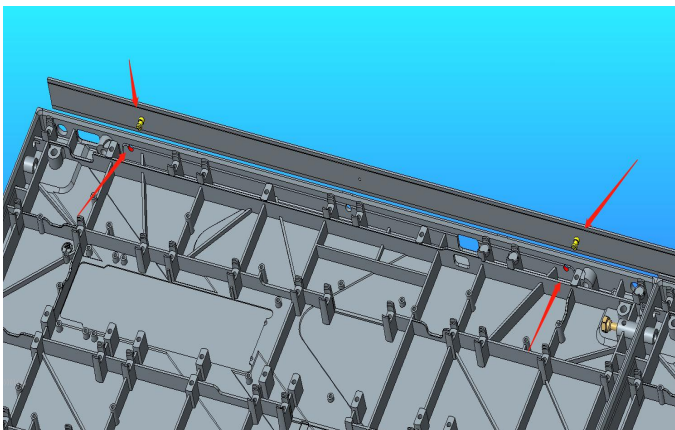
(3) Hanging the led cabinets on left and right edges, and then locking the connecting bolts on the cabinets. The four corner connecting piece of screen is the flat connection piece.



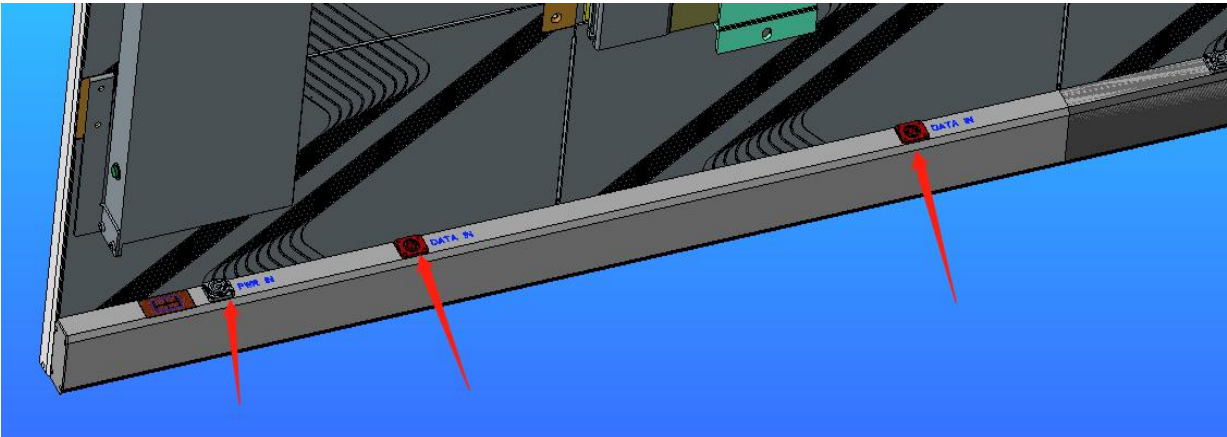
Note: The internal structure is based on the actual object.

### 2.3.6 Installation of trims

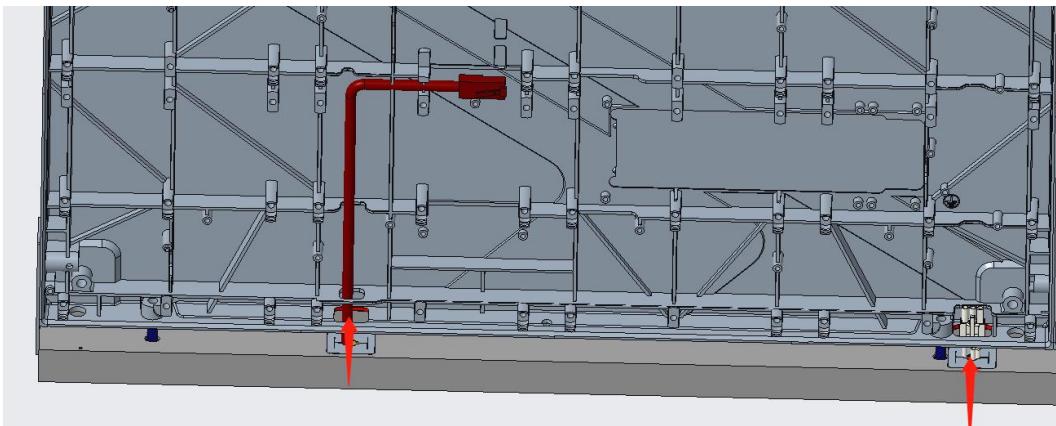
(1) Installation of the upper, left and right trims of the screen by trim positioning pillar and the corresponding positioning holes. Then, using the internal accessories of the trim to fix the installation.



(2) The installation of the bottom trim need to finish access of power and signal cables first. Then, assembling the bottom trim on the screen.



(3) Installing the bottom trim in sections with the screen. Locking the fixing screws of the bottom trim and cabinets after passing the network and power cables through the cabinets.



Note: The internal structure is based on the actual object.

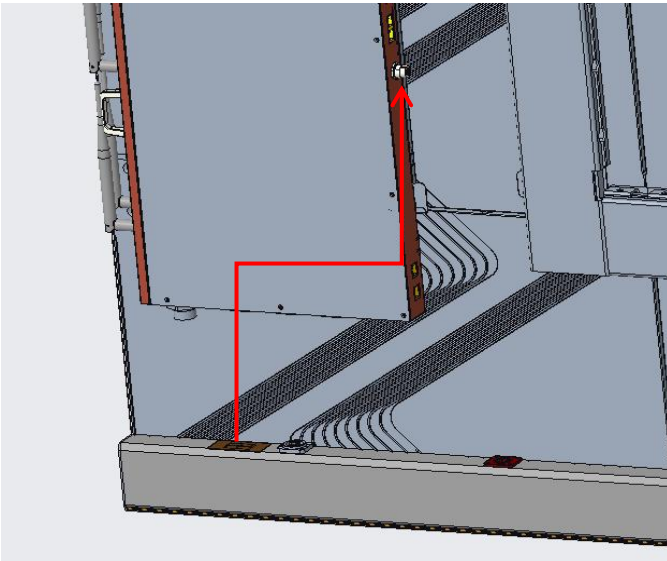
The logo and star button are mounted on the right hand side. It is recommended that installing right bottom trim first and then left bottom trim.

### 2.3.7 Mounting the control box

(1) Connecting the control box network cables. The connection starts with the port 1, according to the order of proximity to the control box.



(2) Connecting IR extension cables



(3) Assembling the control box by following the control box slide

**2.3.8 Mounting module**

1-1-1-1	1-1-1-2	1-1-1-3	1-1-1-4	1-1-2-1	1-1-2-2	1-1-2-3	1-1-2-4	1-1-3-1	1-1-3-2	1-1-3-3	1-1-3-4	1-1-4-1	1-1-4-2	1-1-4-3	1-1-4-4	1-1-5-1	1-1-5-2	1-1-5-3	1-1-5-4	1-1-6-1	1-1-6-2	1-1-6-3	1-1-6-4	1-1-7-1	1-1-7-2	1-1-7-3	1-1-7-4
<b>1-1-1</b>				<b>1-1-2</b>				<b>1-1-3</b>				<b>1-1-4</b>				<b>1-1-5</b>				<b>1-1-6</b>				<b>1-1-7</b>			
1-2-1-1	1-2-1-2	1-2-1-3	1-2-1-4	1-2-2-1	1-2-2-2	1-2-2-3	1-2-2-4	1-2-3-1	1-2-3-2	1-2-3-3	1-2-3-4	1-2-4-1	1-2-4-2	1-2-4-3	1-2-4-4	1-2-5-1	1-2-5-2	1-2-5-3	1-2-5-4	1-2-6-1	1-2-6-2	1-2-6-3	1-2-6-4	1-2-7-1	1-2-7-2	1-2-7-3	1-2-7-4
<b>1-2-1</b>				<b>1-2-2</b>				<b>1-2-3</b>				<b>1-2-4</b>				<b>1-2-5</b>				<b>1-2-6</b>				<b>1-2-7</b>			
1-3-1-1	1-3-1-2	1-3-1-3	1-3-1-4	1-3-2-1	1-3-2-2	1-3-2-3	1-3-2-4	1-3-3-1	1-3-3-2	1-3-3-3	1-3-3-4	1-3-4-1	1-3-4-2	1-3-4-3	1-3-4-4	1-3-5-1	1-3-5-2	1-3-5-3	1-3-5-4	1-3-6-1	1-3-6-2	1-3-6-3	1-3-6-4	1-3-7-1	1-3-7-2	1-3-7-3	1-3-7-4
<b>1-3-1</b>				<b>1-3-2</b>				<b>1-3-3</b>				<b>1-3-4</b>				<b>1-3-5</b>				<b>1-3-6</b>				<b>1-3-7</b>			
1-4-1-1	1-4-1-2	1-4-1-3	1-4-1-4	1-4-2-1	1-4-2-2	1-4-2-3	1-4-2-4	1-4-3-1	1-4-3-2	1-4-3-3	1-4-3-4	1-4-4-1	1-4-4-2	1-4-4-3	1-4-4-4	1-4-5-1	1-4-5-2	1-4-5-3	1-4-5-4	1-4-6-1	1-4-6-2	1-4-6-3	1-4-6-4	1-4-7-1	1-4-7-2	1-4-7-3	1-4-7-4
<b>1-4-1</b>				<b>1-4-2</b>				<b>1-4-3</b>				<b>1-4-4</b>				<b>1-4-5</b>				<b>1-4-6</b>				<b>1-4-7</b>			
1-5-1-1	1-5-1-2	1-5-1-3	1-5-1-4	1-5-2-1	1-5-2-2	1-5-2-3	1-5-2-4	1-5-3-1	1-5-3-2	1-5-3-3	1-5-3-4	1-5-4-1	1-5-4-2	1-5-4-3	1-5-4-4	1-5-5-1	1-5-5-2	1-5-5-3	1-5-5-4	1-5-6-1	1-5-6-2	1-5-6-3	1-5-6-4	1-5-7-1	1-5-7-2	1-5-7-3	1-5-7-4
<b>1-5-1</b>				<b>1-5-2</b>				<b>1-5-3</b>				<b>1-5-4</b>				<b>1-5-5</b>				<b>1-5-6</b>				<b>1-5-7</b>			

Install the modules in numbered order.

## 2.4 C208 Wall mounting

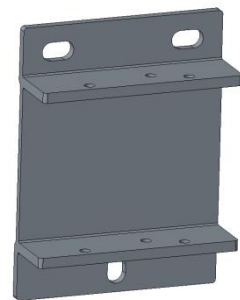
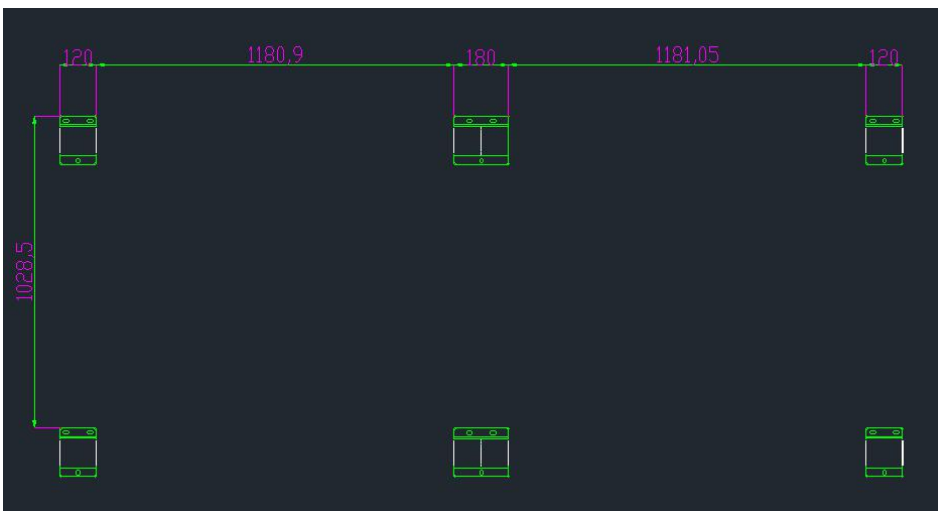
### 2.4.1 Mounting bracket

Taking out the back frames from the box, including horizontal and vertical beams, and putting them on the ground with the front side facing up (the side of the crossbeam with the silkscreen logo is the front side); Assembling the crossbeam first with 4 M3 screws.



### 2.4.2 installation of fixing angle code of back bracket

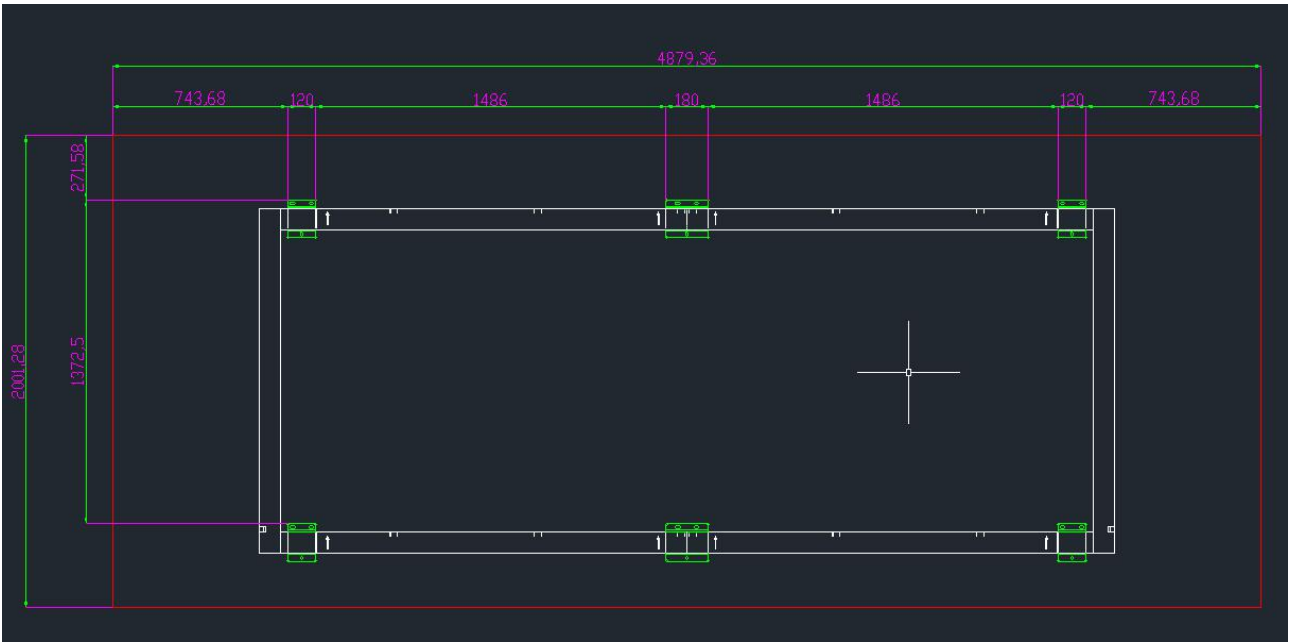
(1) Instructions for installing the fixing angle code of back bracket



Fixing angle code of back bracket  
(Each angle code should be fastened by 3 x M8 expansion screws)

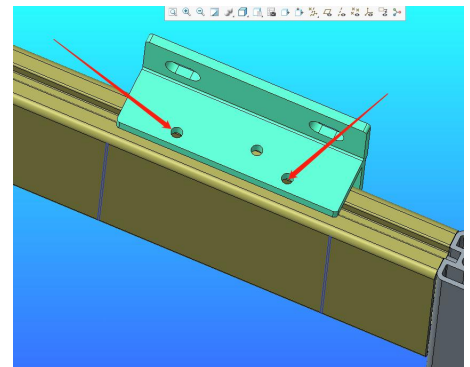
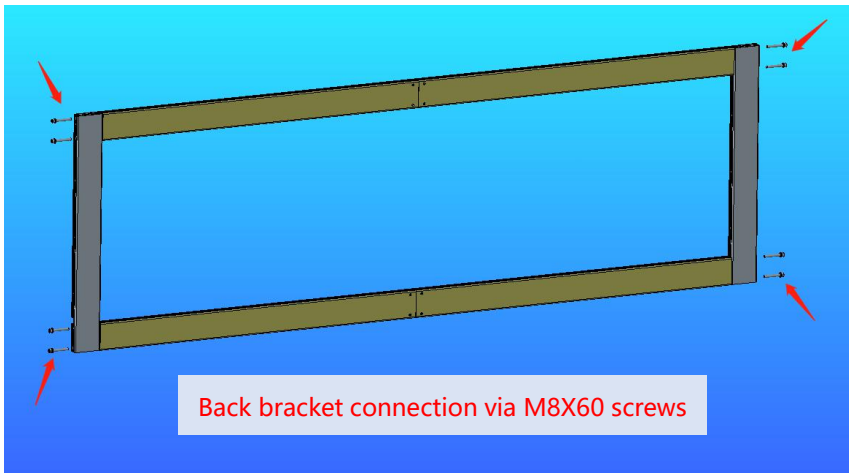
(2) The wall can be perforated to install the fixing angle code after confirming the position of installation of fixing angle codes and screen body.





**2.4.3 Fixed wall brackets**

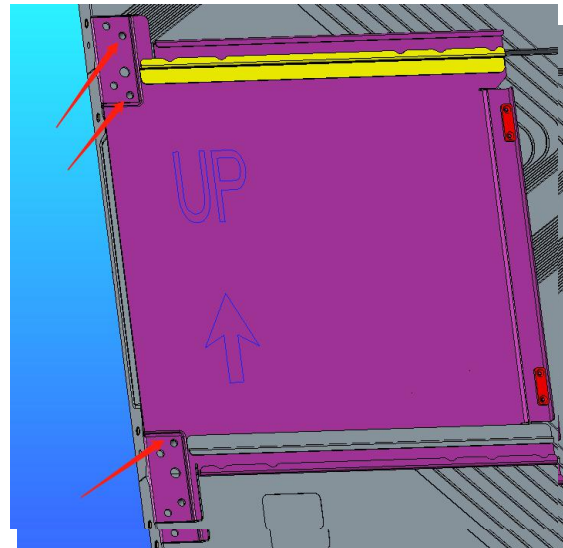
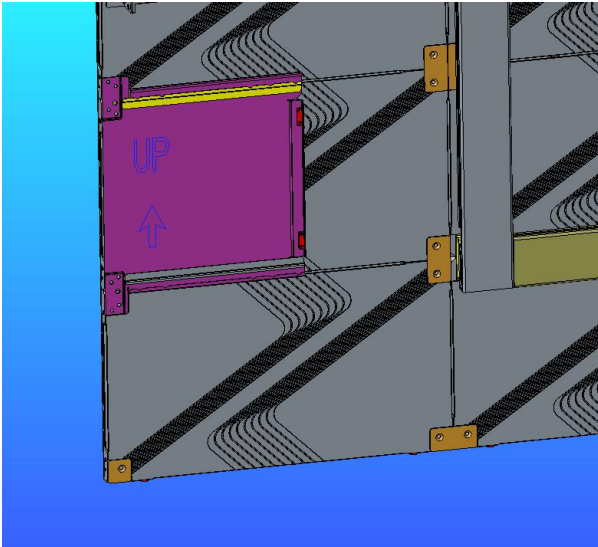
After the angle code have been installed, installing the wall brackets. Using two M8x60 screws for each positions and tightening the M4 security screws to prevent the back brackets from falling out.



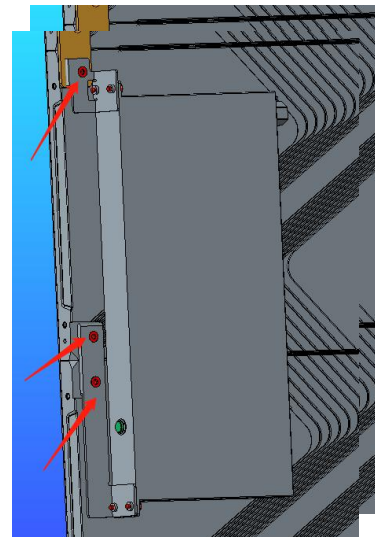
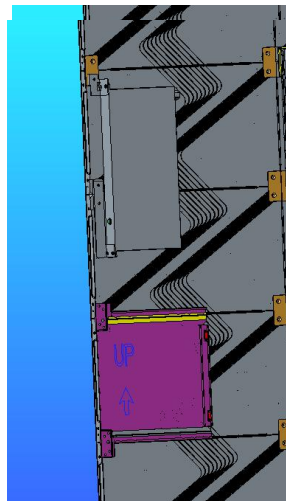
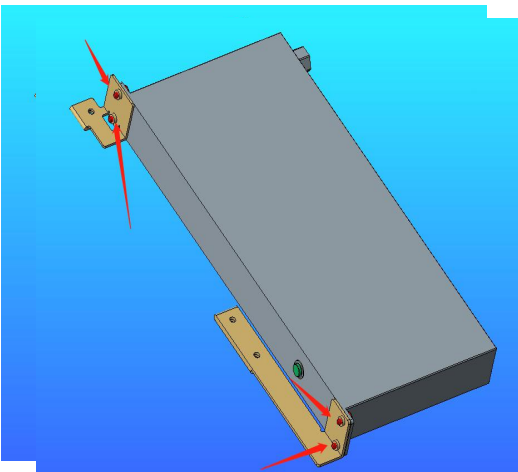
Each angel code should be tighten by at least one screw at its top and bottom

**2.4.4 Control box with power timer installation**

(1) Control box installation: use 4 M6 screws to fix the control box bracket to the rightmost column (front view) box, the second box below

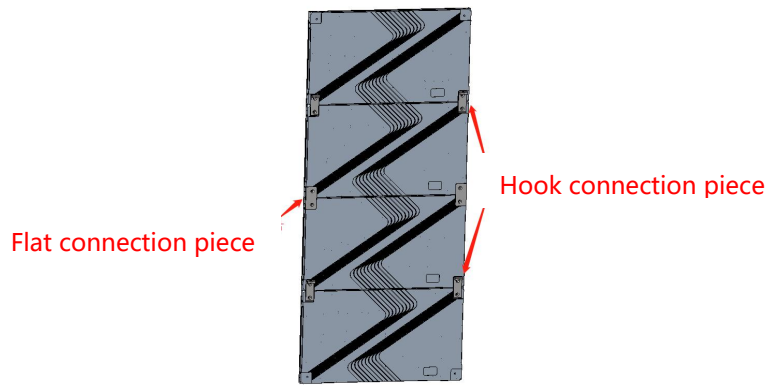
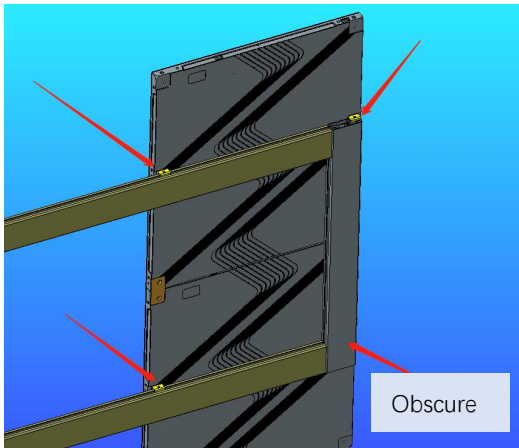


(3) (2) Power timer installation: Use the screws inside the power network timer package to fix the bracket to the power network timer as shown, then install the whole thing above the control box bracket.

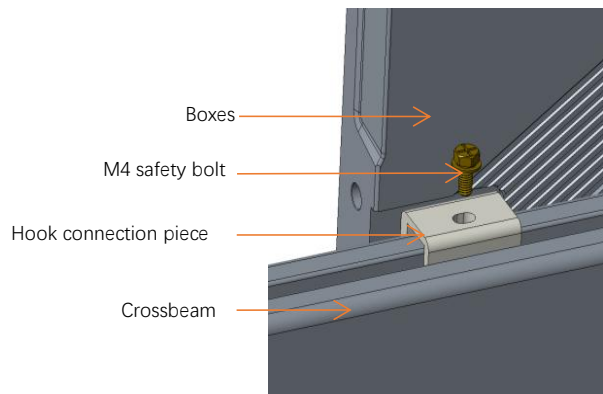
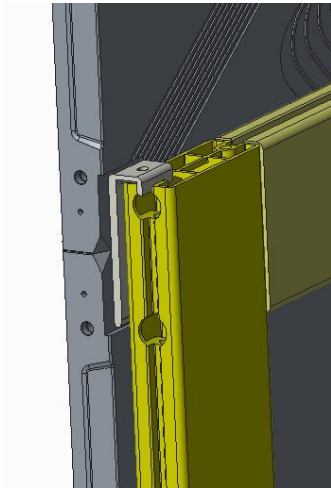


### 2.4.5 Mounting Cabinet

(1) All LED cabinets need to be installed as column and each columns needs to be installed in the order of serial number. The two columns of edge need to be installed at last.

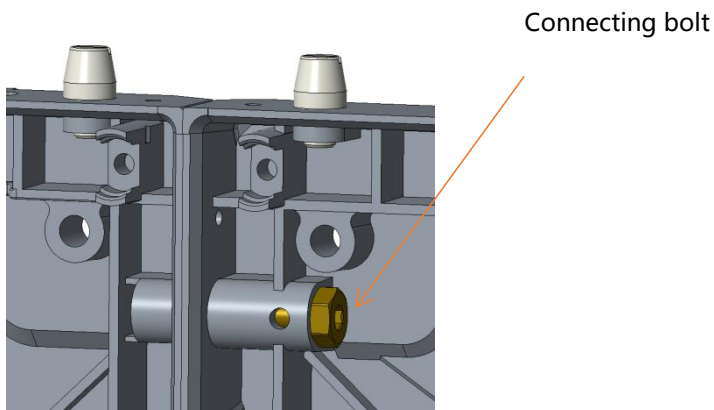


(2) Because there are no hook connection on either edge of the cabinets, using a hose socket tool to tighten the screws on the adjacent side of the box to complete the installation of the LED cabinets.



Note: Detail shown. Hanging and locking M4\*4 security screw

(3) Hanging the led cabinets on left and right edges, and then locking the connecting bolts on the cabinets. The four corner connecting piece of screen is the flat connection piece.

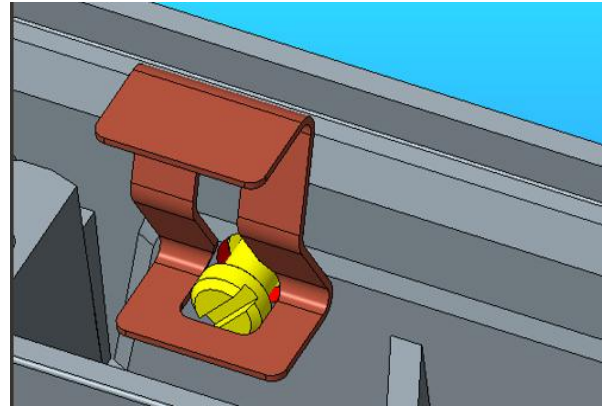
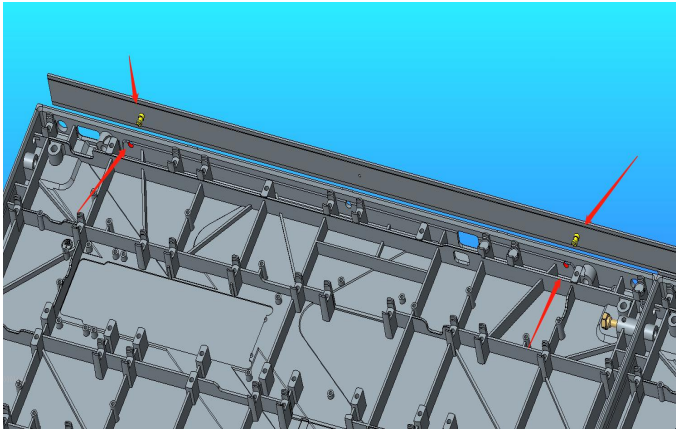


Note: The internal structure is based on the actual object.

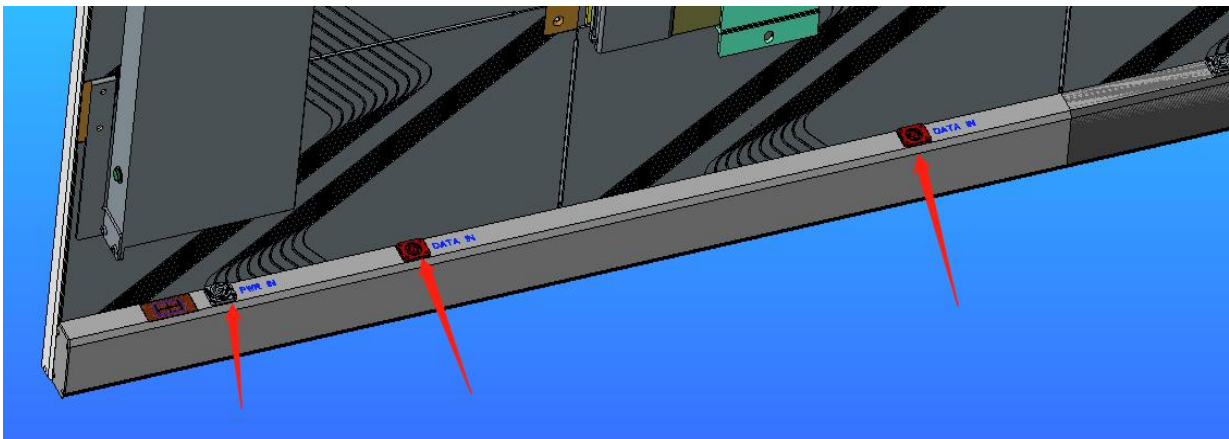


### 2.4.6 installation of trims

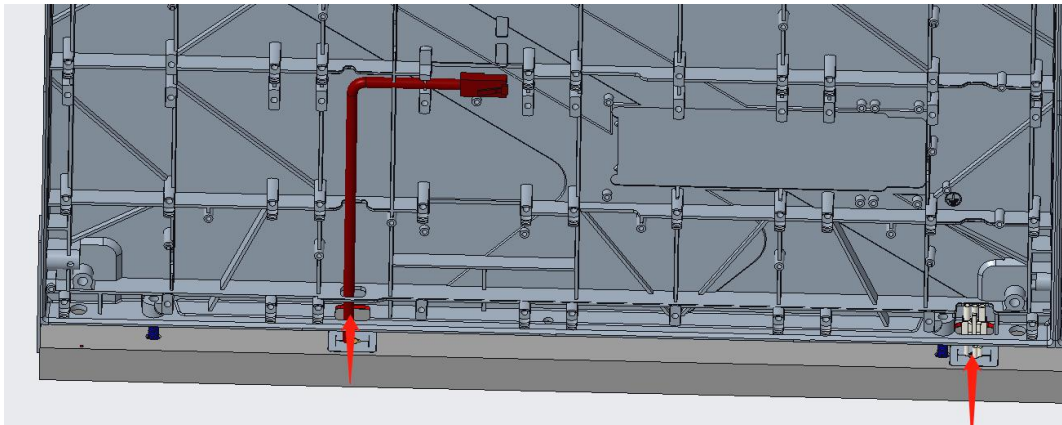
(1) Installation of the upper, left and right trims of the screen by trim positioning pillar and the corresponding positioning holes . Then, using the internal accessories of the trim to fix the installation.



(2) The installation of the bottom trim need to finish access of power and signal cables first. Then, assembling the bottom trim on the screen.



(3) Installing the bottom trim in sections with the screen. Locking the fixing screws of the bottom trim and cabinets after passing the network and power cables through the cabinets.



Note: The internal structure is based on the actual object.

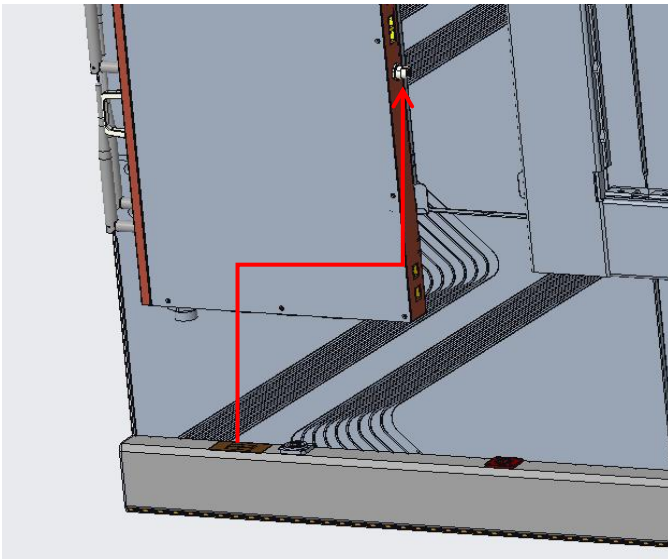
The logo and star button are mounted on the right hand side. It is recommended that installing right bottom trim first and then left bottom trim.

### 2.4.7 Mounting the control box

(1) Connecting the control box network cables. The connection starts with the port 1, according to the order of proximity to the control box.



(2) Connecting IR extension cables



(3) Assembling the control box by following the control box slide

### 2.4.8 Mounting module

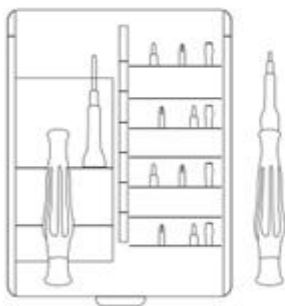
1-1-1	1-1-2	1-1-3	1-1-4	1-1-2-1	1-1-2-2	1-1-2-3	1-1-2-4	1-1-3-1	1-1-3-2	1-1-3-3	1-1-3-4	1-1-4-1	1-1-4-2	1-1-4-3	1-1-4-4	1-1-5-1	1-1-5-2	1-1-5-3	1-1-5-4	1-1-6-1	1-1-6-2	1-1-6-3	1-1-6-4	1-1-7-1	1-1-7-2	1-1-7-3	1-1-7-4	1-1-8-1	1-1-8-2	1-1-8-3	1-1-8-4	
1-1-1				1-1-2				1-1-3				1-1-4				1-1-5				1-1-6				1-1-7				1-1-8				
1-2-1	1-2-2	1-2-3	1-2-4	1-2-2-1	1-2-2-2	1-2-2-3	1-2-2-4	1-2-3-1	1-2-3-2	1-2-3-3	1-2-3-4	1-2-4-1	1-2-4-2	1-2-4-3	1-2-4-4	1-2-5-1	1-2-5-2	1-2-5-3	1-2-5-4	1-2-6-1	1-2-6-2	1-2-6-3	1-2-6-4	1-2-7-1	1-2-7-2	1-2-7-3	1-2-7-4	1-2-8-1	1-2-8-2	1-2-8-3	1-2-8-4	
1-2-1				1-2-2				1-2-3				1-2-4				1-2-5				1-2-6				1-2-7				1-2-8				
1-3-1	1-3-2	1-3-3	1-3-4	1-3-2-1	1-3-2-2	1-3-2-3	1-3-2-4	1-3-3-1	1-3-3-2	1-3-3-3	1-3-3-4	1-3-4-1	1-3-4-2	1-3-4-3	1-3-4-4	1-3-5-1	1-3-5-2	1-3-5-3	1-3-5-4	1-3-6-1	1-3-6-2	1-3-6-3	1-3-6-4	1-3-7-1	1-3-7-2	1-3-7-3	1-3-7-4	1-3-8-1	1-3-8-2	1-3-8-3	1-3-8-4	
1-3-1				1-3-2				1-3-3				1-3-4				1-3-5				1-3-6				1-3-7				1-3-8				
1-4-1	1-4-2	1-4-3	1-4-4	1-4-2-1	1-4-2-2	1-4-2-3	1-4-2-4	1-4-3-1	1-4-3-2	1-4-3-3	1-4-3-4	1-4-4-1	1-4-4-2	1-4-4-3	1-4-4-4	1-4-5-1	1-4-5-2	1-4-5-3	1-4-5-4	1-4-6-1	1-4-6-2	1-4-6-3	1-4-6-4	1-4-7-1	1-4-7-2	1-4-7-3	1-4-7-4	1-4-8-1	1-4-8-2	1-4-8-3	1-4-8-4	
1-4-1				1-4-2				1-4-3				1-4-4				1-4-5				1-4-6				1-4-7				1-4-8				
1-5-1	1-5-2	1-5-3	1-5-4	1-5-2-1	1-5-2-2	1-5-2-3	1-5-2-4	1-5-3-1	1-5-3-2	1-5-3-3	1-5-3-4	1-5-4-1	1-5-4-2	1-5-4-3	1-5-4-4	1-5-5-1	1-5-5-2	1-5-5-3	1-5-5-4	1-5-6-1	1-5-6-2	1-5-6-3	1-5-6-4	1-5-7-1	1-5-7-2	1-5-7-3	1-5-7-4	1-5-8-1	1-5-8-2	1-5-8-3	1-5-8-4	
1-5-1				1-5-2				1-5-3				1-5-4				1-5-5				1-5-6				1-5-7				1-5-8				
1-6-1	1-6-2	1-6-3	1-6-4	1-6-2-1	1-6-2-2	1-6-2-3	1-6-2-4	1-6-3-1	1-6-3-2	1-6-3-3	1-6-3-4	1-6-4-1	1-6-4-2	1-6-4-3	1-6-4-4	1-6-5-1	1-6-5-2	1-6-5-3	1-6-5-4	1-6-6-1	1-6-6-2	1-6-6-3	1-6-6-4	1-6-7-1	1-6-7-2	1-6-7-3	1-6-7-4	1-6-8-1	1-6-8-2	1-6-8-3	1-6-8-4	
1-6-1				1-6-2				1-6-3				1-6-4				1-6-5				1-6-6				1-6-7				1-6-8				

Install the modules in numbered order.

## 3. Products Maintenance

### 3.1 Tools preparation

Prepare tools such as a front-module maintenance tool, Phillips screwdriver and a multimeter.



Phillips screwdriver



multimeter

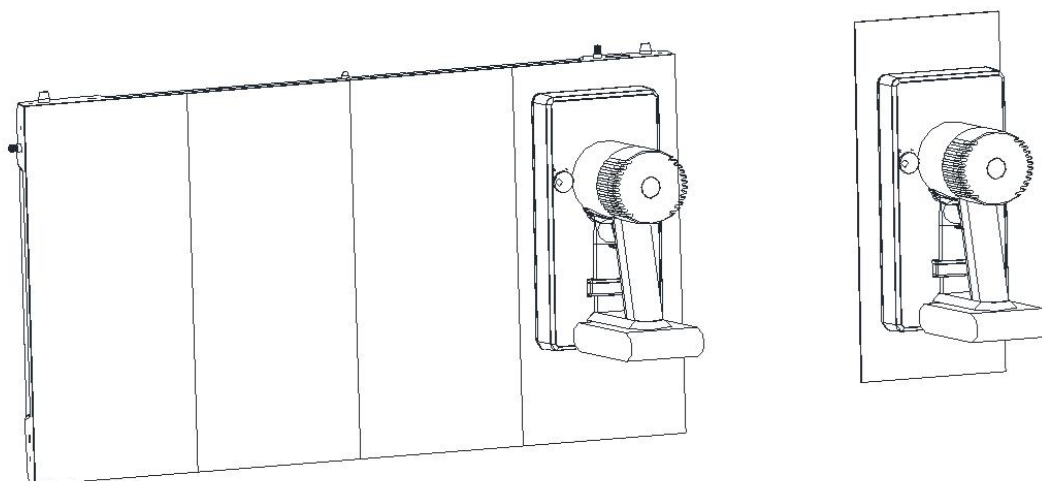


pre-module maintenance tool

### 3.2 Replacement guide for case accessories

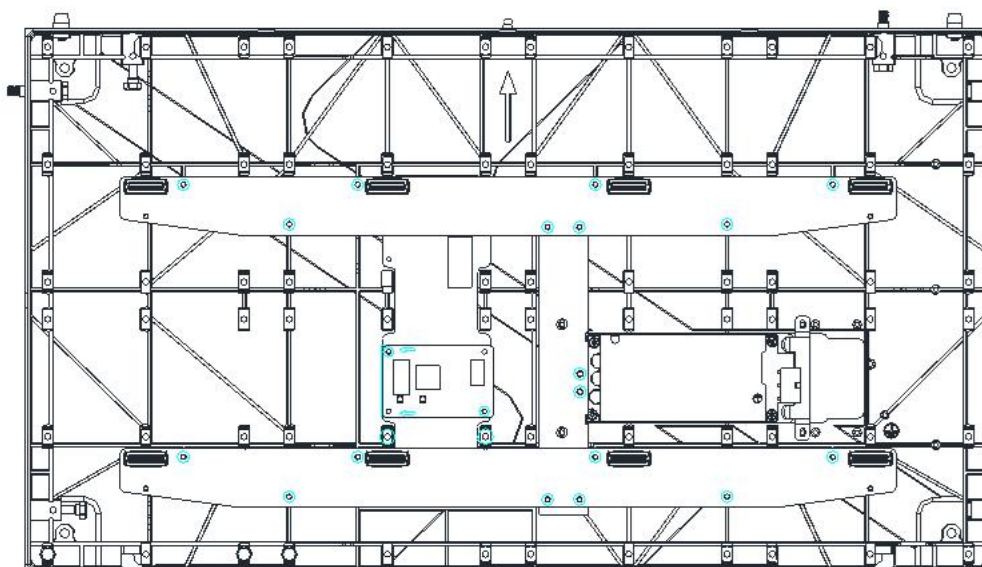
### 3.2.1 Module maintenance

Press the front maintenance tool button, close to the module, suck out the module, hold the module in your hand and release the front maintenance tool button.



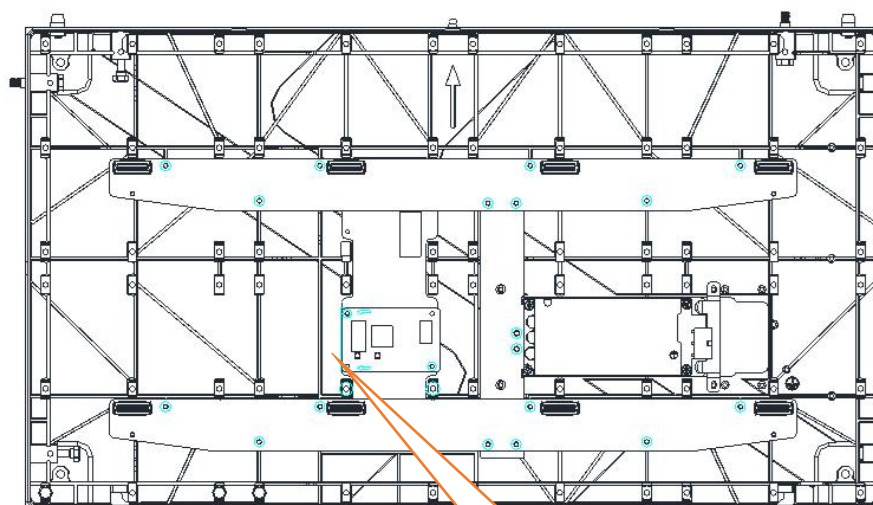
### 3.2.2 HUB maintenance

First remove the 4 modules from the case with the front maintenance tool and put them in place, then remove the adapter plate fixing screws with a Phillips screwdriver and the adapter plate can be removed from the case.



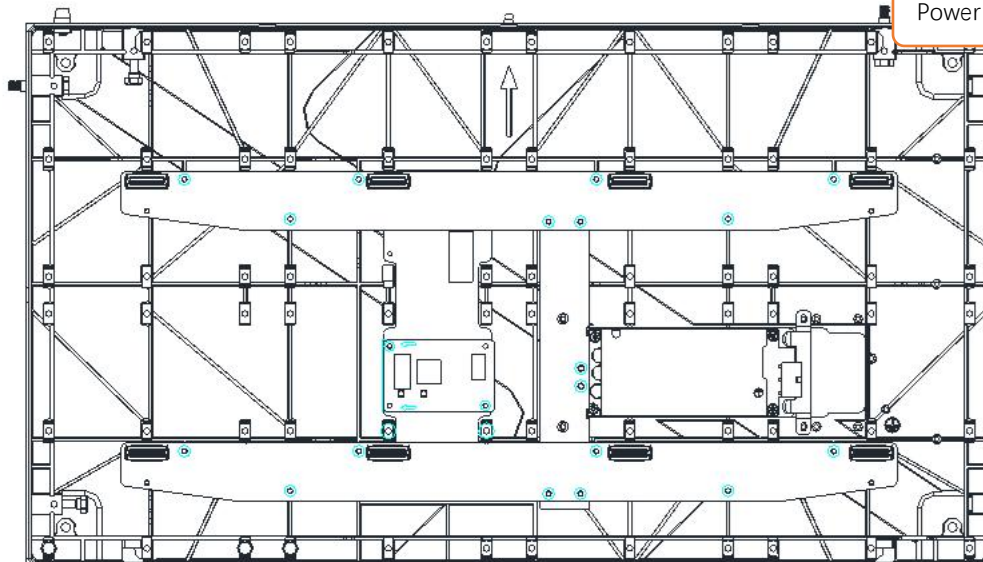


### 3.2.3 Receiving card maintenance



Receiving Card

### 3.2.4 Power front maintenance



Power

## 3.3 Maintenance notes

When the cause of a fault cannot be determined on site or if you do not understand how to renew a part, please contact Absen!

## 4. Common problems

No.	Common faults	Solution
1	Some modules are not lighting on	1. Check whether the power plug of the corresponding module is tightly inserted;
		2. Check whether the power cable of the corresponding module is burnt out;
		3. Check whether the switch power supply of the corresponding module has no output;
		4. Check whether the flat cable of the corresponding module is malfunctioning;
		5. Replace the flat cable of the corresponding module;
		6. Replace the module;
		7. Replace the receiving card;
		8. Send rcfg file;
2	The whole screen is not lighting on	1. Check whether the screen power is on;
		2. Check whether the DVI cable or HDMI cable is loose;
		3. Check whether the main data cable is inserted tightly;
		4. Check whether the sending card is powered on and whether the running indicator is flashing;
		5. Replace the sending card;
		6, Connecting the computer to an LCD display, check

		whether there is output on video card;
		7. Update the video card driver;
		8. Replace the computer;
3	Screen show scrambled image	1. Check whether the power plug of the receiving card is tightly inserted;
		2. Check whether the power cable of the receiving card is burnt out;
		3. Check whether the power supply has no output;
		4. Check the data cable of the receiving card;
		5. Replace the data cable;
		6. Send the rcfg file;
		7. Upgrade the firmware version of the receiving card;
		8. Replace the receiving card;
4	Chromatic aberration between modules	1. Check whether the module power plug is plugged tightly;
		2. Replace the flat cable;
		3. Replace the power supply;
		4. Replace the module;
		5. Replace the receiving card;
5	All LED panels display the same content	1. Set the screen connection on software;
		2. Check whether the data port is wrong.

6	No control system detected	1. Check the USB cable;
		2. Check whether the computer USB port is malfunctioning;
		3. Update the USB driver;
		4. Replace the USB cable;
		5. Replace the sending card;
7	No multi-function card detected	1. Check whether the distribution box is in the automatic state;
		2. Check whether the multi-function card is powered;
		3. Replace the power supply of the multi-function card;
		4. Check whether the main data cable is inserted into the wrong data port;
		5. Check whether the sending card data port is malfunctioning;
		6. Re-add the multi-function card;
		7. Replace the multi-function card;
		8. Replace the sending card;
8	No full screen display	1. Check whether the setting of the playback window is normal;
		2. Check the output resolution of the video processor;
		3. Check the output window of the video processor;



©2023 Shenzhen Absen Optoelectronics Co., Ltd. All rights reserved.

Without the written permission of the company, any unit or individual shall not extract or copy part or all of the content of this document without authorization, and shall not disseminate it in any form.

**Absen Optoelectronic Co.,Ltd.**

Address: 18-20F Building 3A, Cloud Park, Bantian Huawei Base,

Longgang District Shenzhen, 518129, P.R.China

TEL: +86-755-89747399      FAX: +86-755-89747599

E-mail: [absen@absen.com](mailto:absen@absen.com)      Website: [www.absen.com](http://www.absen.com)