

DESIGNER

LIFT

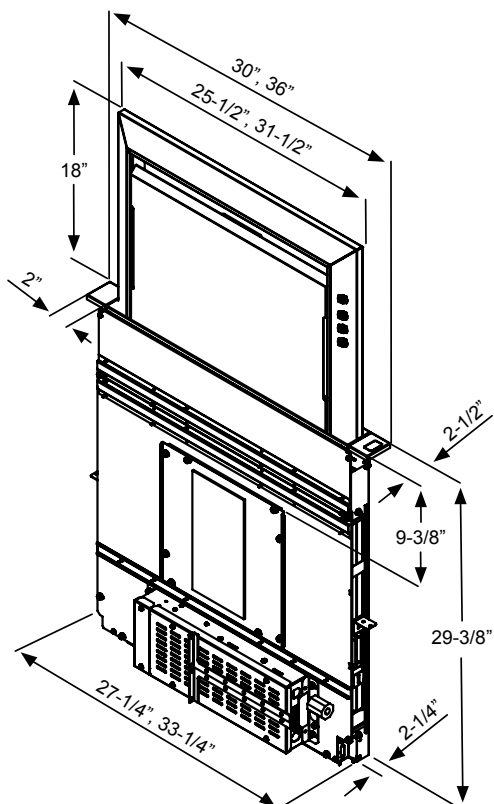
DOWNDRAFT

The Lift Downdraft is everything you want in a luxury ventilation system—power, performance, and good looks. Packed with perks like the dual-level BriteStrip™ LED lighting, Tri-Capture

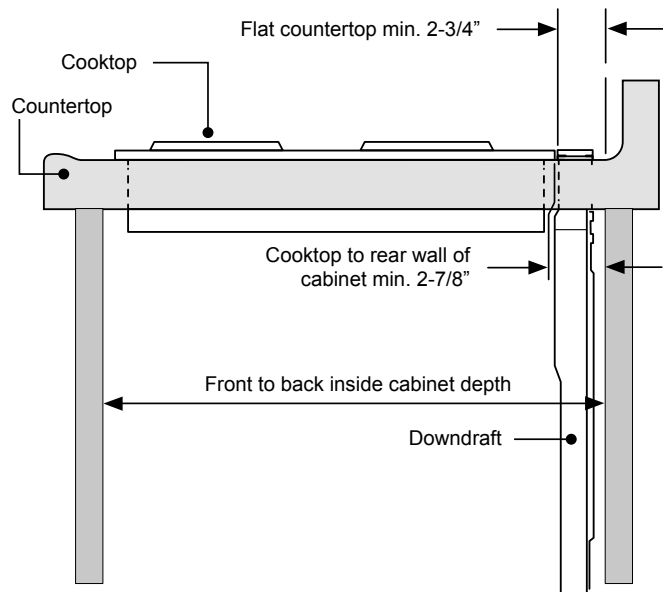
Zones and 4-Way Ducting, the Lift is ready to help you rise to any occasion with the touch of a button.

ZEPHYR

ZEPHYRONLINE.COM



CUTOUT AND CLEARANCE DIMENSIONS



MODEL	DLI-E30ASX	DLI-E36ASX
Stainless Steel		
Size	30"	36"
PERFORMANCE		
Internal/In-Line Blower (DBI-600A)*	200-600 CFM	200-600 CFM
In-Line Blower (PBN-1000A)*	500-1,000 CFM	500-1,000 CFM
External Blower (CBE-1000)*	500-1,000 CFM	500-1,000 CFM
FEATURES		
Controls	Capacitive Touch	Capacitive Touch
Speed Levels	3	3
Auto On/Off**	Yes	Yes
Lighting	BriteStrip™ LED, x1	BriteStrip™ LED, x1
Dual-Level Lighting	Yes	Yes
Filters	Aluminum Mesh x2	Aluminum Mesh x2
Filter Clean Reminder	Yes	Yes
Tri-Capture Zones	Yes	Yes
4-Way Ducting	Yes	Yes
18" Chimney Rise	Yes	Yes
Recirculating Option	Yes	Yes
DUCT SPECIFICATIONS		
Front Ducting	8"(DBI), 10"(PBN/CBE)	8"(DBI), 10"(PBN/CBE)
Left/Right Ducting	1-7/8" x 19" to 8"/10" round	1-7/8" x 19" to 8"/10" round
Rear Ducting	1-7/8" x 19" to 8"/10" round	1-7/8" x 19" to 8"/10" round
Bottom Ducting	1-7/8" x 19" to 8"/10" round	1-7/8" x 19" to 8"/10" round
AC POWER		
Hood w/ DBI-600A	120V, 60Hz, Max. 3A	120V, 60Hz, Max. 3A
Hood w/ PBN-1000A	120V, 60Hz, Max. 4.4A	120V, 60Hz, Max. 4.4A
Hood w/ CBE-1000	120V, 60Hz, Max. 4.3A	120V, 60Hz, Max. 4.3A
OPTIONAL ACCESSORIES		
Recirculating Kit	ZRC-00LF	ZRC-00LF
ADA Compliant Remote Up/Down Control	DDA-0002	DDA-0002
Gas Cooktop Seal Kit	DDS-0030	DDS-0036
Range Trim Kit	DDT-0030	DDT-0036
Electronics Extension Cable - 5'	11030132	11030132
End Cap Trim Extension +1"	DDE-0001	DDE-0001
Front Panel Rough-In Plate, 8" Round	54190053	54190053
Front Panel Rough-In Plate, 10" Round	54190054	54190054
1-7/8" x 19" to 8" Round Transition	AK00070	AK00070
1-7/8" x 19" to 10" Round Transition	AK00071	AK00071
1-7/8" x 19" Adapter for AK00080 Duct	AK00072	AK00072
1-7/8" x 19" Rectangular Duct, 2'	AK00080	AK00080
Make-Up Air Kit	MUA006A (600 CFM)	MUA006A (600 CFM)
	MUA008A (1,000 CFM)	MUA008A (1,000 CFM)
WARRANTY	2 year parts, 1 year labor	2 year parts, 1 year labor

*Blower sold separately.

**Automatically turns on or off when raising or lowering the air vent.

COOKING APPLIANCE CONFIGURATIONS

Accommodate multiple cooking appliance combinations thanks to our 4-way ducting system.



Cooktop



Cooktop + Oven



Range Top



Range

4-WAY DUCTING

Gives you the flexibility to vent in multiple directions, compatible with all blower options.



Front Exhaust



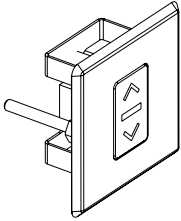
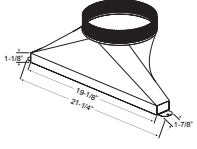

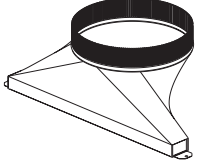
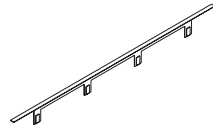

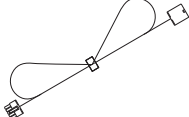
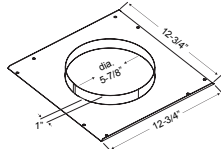
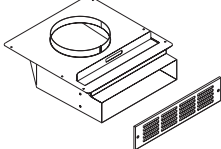
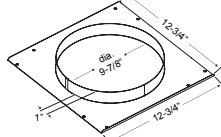
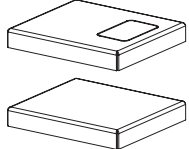
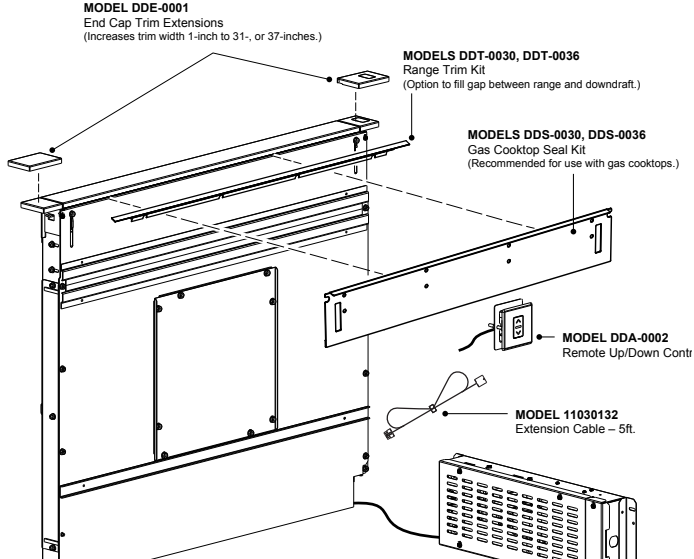
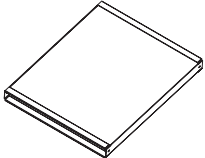
Side Exhaust



Rear Exhaust



Bottom Exhaust

OPTIONAL ACCESSORY	DESCRIPTION	OPTIONAL ACCESSORY	DESCRIPTION
<p>Model DDA-0002</p> 	<p>Remote Up/Down Control</p> <p>Use when you cannot reach the UP/DOWN button on the downdraft chimney.</p> <p>Can be located on counter top, face of cabinetry or on the side cabinet of an island. Cut-out: 2-1/4"H x 2"W</p> <p>Cannot be used where remote control will interfere with cooking, where hot pans could be set, or where hot liquids could be spilled on the control.</p> <p>(Remote wiring connects with 6-pin connection.)</p>	<p>Model AK00070</p> 	<p>1-7/8" x 19" to 8" Round Transition</p> <p>Rectangular to 8" round transition for side, rear, or bottom exhaust when using DBI-600A Blower. Can be attached to downdraft unit or rectangular duct (AK00072).</p>
<p>Models DDS-0030, DDS-0036</p> 	<p>Gas Cooktop Seal Kit</p> <p>Recommended for use with all gas cooktops. Includes trim bracket and trim seal.</p> <p>30", 36" widths</p>	<p>Model AK00071</p> 	<p>1-7/8" x 19" to 10" Round Transition</p> <p>Rectangular to 10" round transition for side, rear, or bottom exhaust when using external blower. Can be attached to downdraft unit or rectangular duct (AK00072).</p>
<p>Models DDT-0030, DDT-0036</p> 	<p>Range Trim Kit</p> <p>Use with free-standing range - where a gap is present between back of range and downdraft</p> <p>30", 36" widths</p>	<p>Model AK00072</p> 	<p>Rectangular adapter for 1-7/8" x 19"</p> <p>Use to connect 1-7/8" x 19" rectangular duct directly to downdraft when using side or rear exhaust.</p>
<p>Model 11030132</p> 	<p>Extension Cable - 5ft.</p> <p>Use where electrical panel is remotely mounted. Extends electrical panel cable an additional 5 feet.</p> <p>Two can be connected to achieve 10ft.</p>	<p>Model 54190053</p> 	<p>Front Panel Rough-In Plate - 8" Round</p> <p>Use where 8" round duct or elbow attaches to front of airbox (model DBI-600A used as remote blower installation).</p>
<p>Model ZRC-00LF</p> 	<p>Non-Duct Recirculating Kit</p> <p>Use where ducting is not feasible or available. Mount to toe kick or base of a cabinet and attach directly to DBI-600A Blower using 8" round duct. Kit can be rotated so that the exhaust is not directly at your feet. Includes recirculating filter and decorative cover plate.</p>	<p>Model 54190054</p> 	<p>Front Panel Rough-In Plate - 10" Round</p> <p>Use where 10" round duct or elbow attaches to front of airbox (exterior or in-line blower installation).</p>
<p>Model DDE-0001</p> 	<p>End Cap Trim Extension +1" Width</p> <p>Use left and right to increase the overall trim width by 1".</p>	 <p>MODEL DDE-0001 End Cap Trim Extensions (Increases trim width 1-inch to 31-, or 37-inches.)</p> <p>MODELS DDT-0030, DDT-0036 Range Trim Kit (Option to fill gap between range and downdraft.)</p> <p>MODELS DDS-0030, DDS-0036 Gas Cooktop Seal Kit (Recommended for use with gas cooktops.)</p> <p>MODEL DDA-0002 Remote Up/Down Control</p> <p>MODEL 11030132 Extension Cable - 5ft.</p>	
<p>Model AK00080</p> 	<p>Rectangular Duct - 2-ft. Sections (1-7/8" x 19")</p> <p>Use to extend ducting when used in side, rear, or bottom exhaust. Can be cut down to size and multiple sections can be connected to each other.</p> <p>Galvanized steel construction.</p>		