

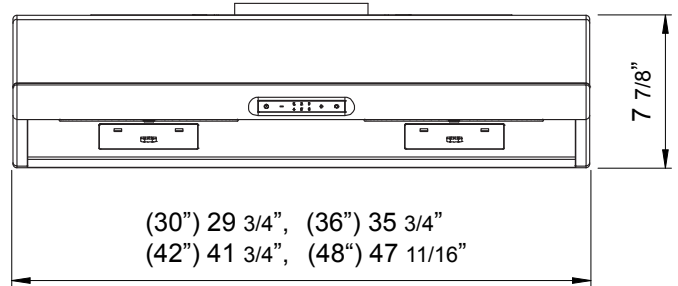
One of our founding models, now with an updated look, we crafted a smooth curvature then upped the volume with powerful, virtually noise-free 850-CFM blowers. A convenient self-cleaning system along with dimmable halogen

lights invite you and your guests to a warm respite from the everyday. Available in black, white and stainless steel. Now with Quiet Speed Setting (QSS) and ACT™ technology.

ACT™

Min. - Max. CFM	INTERNAL BLOWER STANDARD	INTERNAL BLOWER with ACT™ AIRFLOW CONTROL TECHNOLOGY™*	
		250 - 850	250 - 390
Min. - Max. Sones	0.9 - 5	0.9 - 2.5	0.9 - 1.5

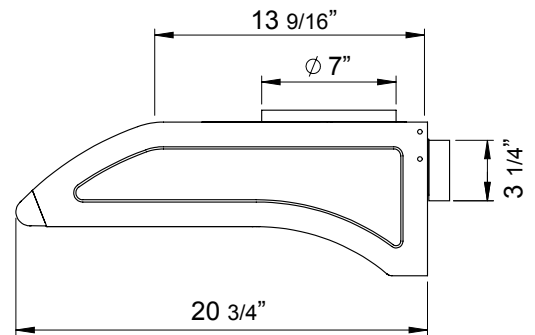
*AIRFLOW CONTROL TECHNOLOGY™ (ACT™) is an exclusive feature built into specific Zephyr hoods which can limit the maximum blower CFM to meet local code requirements.



Front



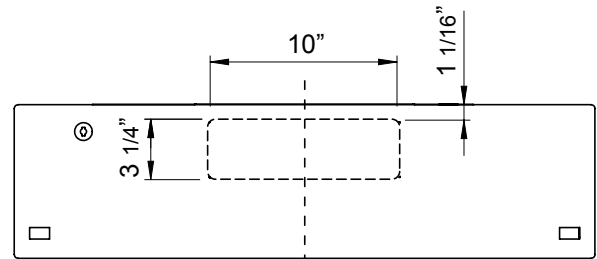
Stainless Steel



Side



Black



C/L

Back



White

MODEL	AK2100BB	AK2136BB		
Black	AK2100BB	AK2136BW		
White	AK2100BW	AK2136BS		
Stainless Steel	AK2100BS	AK2136BS	AK2142BS	AK2148BS
Size	30" (29-3/4")	36" (35-3/4")	42" (41-3/4")	48" (47-11/16")
Blower CFM (Min. - Max.)	250 - 850	250 - 850	250 - 850	250 - 850
Sones (Min. - Max.)	0.9 - 5	0.9 - 5	0.9 - 5	0.9 - 5
ACT 390 CFM (Min. - Max.)	250 - 390	250 - 390	250 - 390	250 - 390
ACT 390 Sones (Min. - Max.)	0.9 - 2.5	0.9 - 2.5	0.9 - 2.5	0.9 - 2.5
ACT 290 CFM (Min. - Max.)	250 - 290	250 - 290	250 - 290	250 - 290
ACT 290 Sones (Min. - Max.)	0.9 - 1.5	0.9 - 1.5	0.9 - 1.5	0.9 - 1.5
FEATURES				
ACT™ Technology	Yes	Yes	Yes	Yes
Controls	Capacitive Touch	Capacitive Touch	Capacitive Touch	Capacitive Touch
Speed Levels	6*	6*	6*	6*
Quiet Speed Setting (QSS)	Yes	Yes	Yes	Yes
Auto Delay-Off	Yes	Yes	Yes	Yes
Lighting	Halogen, 35W x2	Halogen, 35W x2	Halogen, 35W x2	Halogen, 35W x2
Dual Level Lighting	Yes	Yes	Yes	Yes
Removable Safety Grilles	2	2	2	2
Recirculating Option	No	No	No	No
Self Cleaning	Yes	Yes	Yes	Yes
DUCT SPECIFICATIONS				
Vertical Internal Blower	7" Round or 3-1/4" x 10"	7" Round or 3-1/4" x 10"	7" Round or 3-1/4" x 10"	7" Round or 3-1/4" x 10"
Horizontal Internal Blower	3-1/4" x 10"	3-1/4" x 10"	3-1/4" x 10"	3-1/4" x 10"
AC POWER	120V, 60Hz at Max. 3A	120V, 60Hz at Max. 3A	120V, 60Hz at Max. 3A	120V, 60Hz at Max. 3A
OPTIONAL ACCESSORIES				
Make-Up Air Kit	MUA008A	MUA008A	MUA008A	MUA008A
MOUNTING HEIGHT RANGE**	24" - 32"	24" - 32"	24" - 32"	24" - 32"
WARRANTY	10 years parts, 1 year labor			

*When ACT is enabled the maximum speed levels will change. ACT 390 CFM = 3 speeds and ACT 290 CFM = 2 speeds.

**Mounting height refers to distance between top of a 36" tall cooking surface and bottom of hood.

ACT™ AIRFLOW CONTROL TECHNOLOGY™ (ACT™) is an exclusive feature built into specific Zephyr hoods which can limit the maximum blower CFM to meet local code requirements.

Specifications subject to change, check zephyronline.com for up-to-date information.
Zephyr Ventilation | 2277 Harbor Bay Parkway, Alameda, CA 94502 | 888.880.VENT

AUG15.0201

