

2000 SERIES

DRAWER MODELS



U-2275DWRCOL-00

U-2275DWRCOL-02

U-2275DWRCS-00

U-C2275DWROL-00

U-C2275DWRS-00

Table of Contents

1 - Safety Precautions	
Safety Alert Definitions.....	1
General Precautions	1
2 - Inspect & Plan	
Product Registration	2
Models Covered.....	2
Inspection.....	2
Removing Protective Coating	2
Tools / Material Required	2
Exterior Cleaning.....	2
Overlay Models:	2
Stainless Models:.....	2
3 - Prepare Site	
2275DWRC Series	3
C2275DWR Series	3
4 - Product Dimensions	
C2275DWR & 2275DWRC.....	4
5 - Clearance Information	
Other Site Requirements	5
Power Supply	5
Water Supply	5
Environmental Requirements.....	5
6 - Standard Drawers	
Checking Drawer Alignment.....	6
Adjusting Drawer Alignment.....	6
Re-installation of Drawer.....	7
7 - Drawer Panel Installation	
Custom 1/4" Drawer Panel Inserts.....	8
Drawer Panel Preparation	8
Drawer Panel Installation	8
Full Overlay Drawer Panel.....	8
Drawer Panel Preparation	8
Removing Existing Drawer Fronts	9
Preparing the Drawer Frame for Overlay.....	9
Preparing Steel Insert.....	9
Panel Installation.....	9
Assembling the Drawer Front	9
8 - Wood Grille Overlay	
Grille Overlay	10
Preparation	10
Installation.....	10
9 - Prepare Plumbing	
Water Supply Connection	12
9 - Level the Unit	
Installation Tip.....	12
10 - Install Unit	
Anti-Tip Kit Installation	13
Installation Troubleshooting.....	13
First Time Start-Up.....	14
Start-Up Troubleshooting.....	14

I Safety Precautions

NOTICE

- **PLEASE READ** all instructions before installing, operating, or servicing the appliance.
- Proper installation procedures must be followed when completing an installation or relocation of a unit. An **INSTALLATION GUIDE** for the unit, providing complete installation information, is available from U-Line Corporation direct. Consult the installation guide before any installation begins. U-Line contact information appears on the rear cover of this guide.
- This unit requires connection to a dedicated 15 Amp grounded (three-prong), polarized receptacle, installed by a qualified electrician, compliant with applicable electrical codes.

Safety Alert Definitions

Throughout this guide are safety items labeled with a Danger, Warning or Caution based on the risk type:

DANGER

Danger means that failure to follow this safety statement will result in severe personal injury or death.

WARNING

Warning means that failure to follow this safety statement could result in serious personal injury or death.

CAUTION

Caution means that failure to follow this safety statement may result in minor or moderate personal injury, property or equipment damage.

General Precautions

Use this appliance for its intended purpose only. Follow these general precautions with those listed throughout this guide:

DANGER

RISK OF CHILD ENTRAPMENT. Before you throw away your old refrigerator or freezer, take off the doors and leave shelves in place so children may not easily climb inside.

WARNING

SHOCK HAZARD - Electrical Grounding Required.

- Never attempt to repair or perform maintenance on the unit until the electricity has been disconnected.
- Never remove the round grounding prong from the plug and never use a two-prong grounding adapter.
- Altering, cutting of power cord, removal of power cord, removal of power plug, or direct wiring can cause serious injury, fire and or loss of property and or life, and will void the warranty.
- Never use an extension cord to connect power to the unit.
- Always keep your working area dry.

WARNING

Install provided Anti-Tip kit. Serious personal injury could occur.

CAUTION

- Use care when moving and handling the unit. Use gloves to prevent personal injury from sharp edges.
- If your model requires defrosting, **DO NOT** use an ice pick or other sharp instrument to help speed up defrosting. These instruments can puncture the inner lining or damage the cooling unit. **DO NOT** use any type of heater to defrost. Using a heater to speed up defrosting can cause personal injury and damage to the inner lining.

NOTICE

- Do not lift unit by door handle.
- Never install or operate the unit behind closed doors. Be sure front grille is free of obstruction. Obstructing free airflow can cause the unit to malfunction and will void the warranty.
- Failure to clean the condenser every six months can cause the unit to malfunction. This could void the warranty.
- Allow unit temperature to stabilize for 24 hours before use.
- Do not Block any internal Fans

Use only genuine U-Line replacement parts. Imitation parts can damage the unit, affect its operation or performance and may void the warranty.



Product Registration

You have received a carton containing your U-Line Combo Drawer Model Ice Maker/Refrigerator or U-Line Refrigerator with a package inside containing a Use and Care Guide, a Product Registration Card, water connection parts and Anti-Tip Kit. Complete and mail the Product Registration Card or register online at www.U-LineService.com. Once your unit is installed, keep the Use and Care Guide and this Installation Guide in a safe place for future reference.

Models Covered

This installation guide covers the following models

U-2275DWRCOL-00

U-2275DWRCOL-02

U-2275DWRCO-00

U-C2275DWROL-00

U-C2275DWRS-00

Inspection

Inspect the unit on a flat, level surface capable of supporting its entire weight.

Removing Protective Coating

All Models:

The protective coating covering the inside of the top drawer must be removed before using.

Stainless Steel Models:

When inspecting/installing a Stainless Steel unit, the protective coating covering the drawer fronts must be removed. Start at a corner of the drawers and pull back the protective coating to remove it from the drawer fronts.

After all the protective coating has been removed from the drawers, clean all Stainless Steel surfaces with Claire Stainless Steel Polish and Cleaner or comparable product or a mild detergent and warm water solution and soft cloth. Do NOT use abrasive cleaning agents.

If cleaning with mild detergent and warm water solution and soft cloth, the unit MUST be treated with Claire Stainless Steel Polish and Cleaner or comparable product to prevent discoloration.

Tools / Material Required

- Screwdrivers — slotted and Phillips head

(If installing a 3/4" Full Overlay panel)

- 3/4" overlay frame material
- Cutting Tools
- Drill & Drill Bits

(If installing 1/4" Panel Insert)

- 1/4" thick door panel material
- Cutting Tools

Exterior Cleaning

Overlay Models:

- The drawers, grille and cabinet may be cleaned with a mild detergent and warm water solution. Do not use solvent-based or abrasive cleaners. Use a soft sponge and rinse with clean water. Wipe with a soft, clean towel to prevent water spotting.

Stainless Models:

- Stainless steel models can discolor when exposed to chlorine gas, pool chemicals, salt water or cleaners with bleach.
- Keep your stainless steel unit looking new by cleaning with a good quality all-in-one stainless steel cleaner/polish on a monthly basis. For best results use Claire Stainless Steel Polish and Cleaner, which can be purchased from U-Line Corporation. (The part number is 173348.) Comparable products are acceptable. Frequent cleaning will remove surface contamination that could lead to rust. Some installations may require cleaning on a weekly basis.
- **Do not clean with steel wool pads.**
- **Do not use cleaners that are not specifically intended for stainless steel (this includes glass, tile and counter cleaners).**
- If any surface discolors or rusting appears, clean it quickly with Bon-Ami or Barkeepers Friend Cleanser and a non-abrasive cloth. Always clean in the direction of the grain. Always finish this process with Claire Stainless Steel Polish and Cleaner or comparable product to prevent further problems.
- **Use of abrasive pads such as ScotchBrite will cause the graining in the stainless to become blurred.**
- Rust that is allowed to linger can penetrate into the surface of the stainless steel and complete removal of the rust may not be possible.



Rust that is allowed to linger can penetrate into the surface of the stainless steel and complete removal of the rust may not be possible.

3 Prepare Site

Your U-Line product has been designed for either free-standing or built-in installation. When built-in, your unit does not require additional air space for top, sides, or rear. However, the front grille must NOT be obstructed and clearance is required for an electrical connection in the rear.

NOTICE

- Unit can NOT be installed behind a closed cabinet door.

WARNING

SHOCK HAZARD — Electrical Grounding Required.

- **Never remove the round grounding prong from the plug and never use a two-prong grounding adapter.**
- **Never use an extension cord to connect power to the unit.**

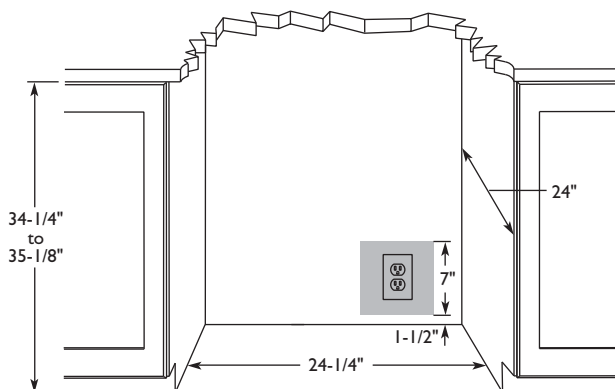
NOTICE

Electrical installation must observe all state and local codes. This unit requires connection to a grounded (three-prong), polarized receptacle that has been placed by a qualified electrician.

The unit requires a grounded and polarized 115 VAC, 60 Hz, 15A power supply (normal household current). An individual, properly grounded branch circuit or circuit breaker is recommended. GFCI (ground fault circuit interrupter) is usually not required for fixed location appliances and is not recommended for your unit because a GFCI could be prone to nuisance tripping. However, be sure to consult your local codes.

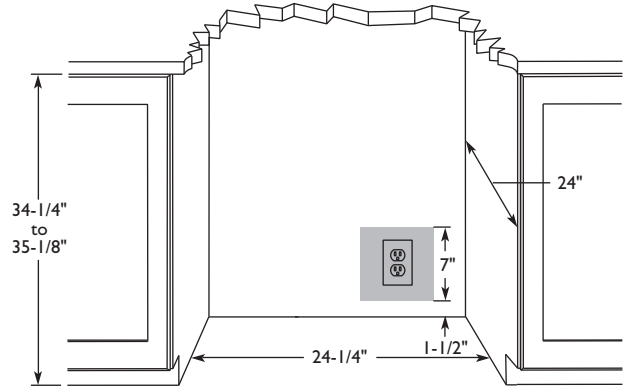
See below for recommended receptacle location & cut out dimensions.

2275DWRC Series



Follow the cut-out drawing. The 24-1/4" width allows 1/4" for ease in installation and removal of the unit. 24" is the cabinet depth in most installations.

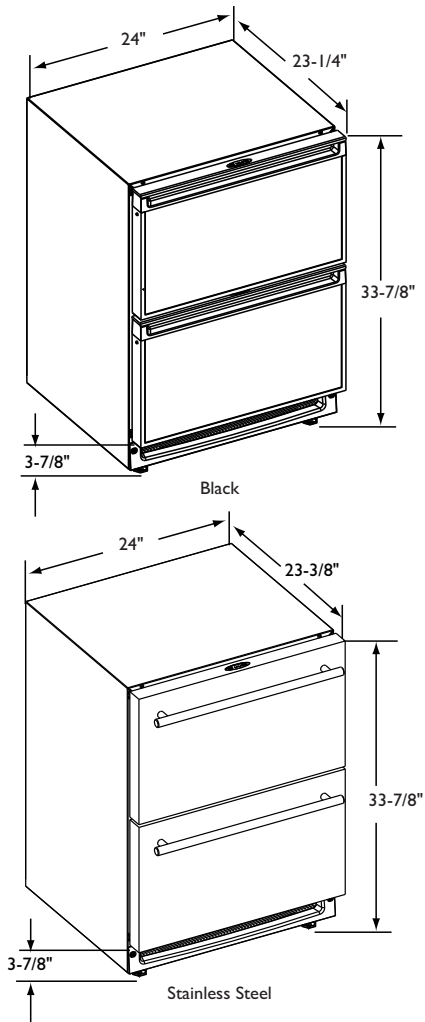
C2275DWR Series



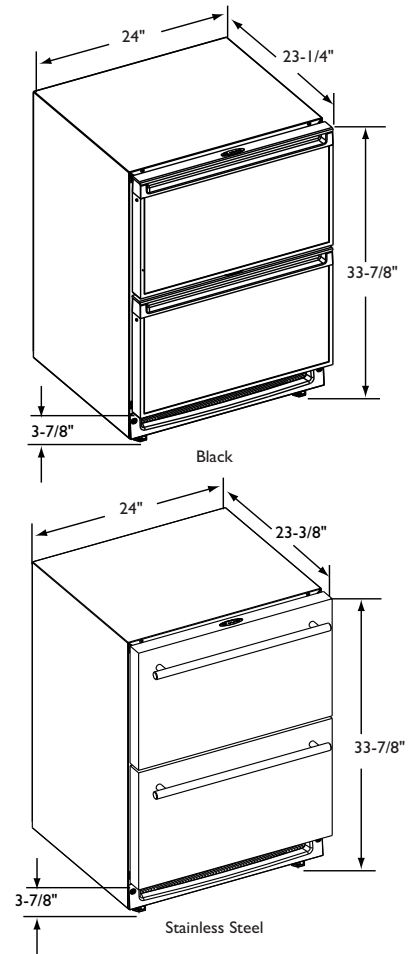
Follow the cut-out drawing. The 24-1/4" width allows 1/4" for ease in installation and removal of the unit. 24" is the cabinet depth in most installations.

4 Product Dimensions

2275DWRC



C2275DWR



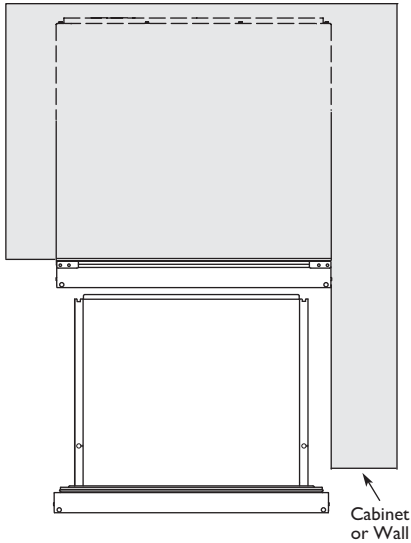
5 Clearance Information

The unit must be installed in a wall or under a counter-top to allow for the installation of the Anti-Tip Kit (see page 13).

WARNING

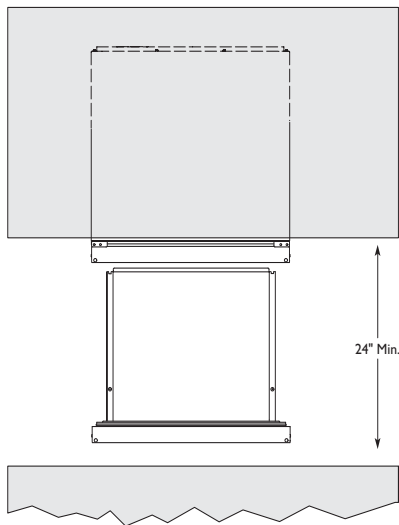
The Anti-Tip Kit must be installed on this unit before it is used. Never use the drawers as steps or as a shelf to support more than the drawers' contents. Serious personal injury could occur.

The unit is designed so it can be installed next to a wall on either side.



The drawer unit can be installed with an appliance or fixture located in front of it, as long as there is adequate clearance for the drawer to be opened and removed when servicing.

U-Line recommends you consider additional clearance in front of the open drawer for convenience.



Other Site Requirements

Power Supply

The unit requires a grounded and polarized 115 VAC, 60 Hz, 15A circuit (normal household current). See Electrical Specifications.

Water Supply

The unit requires a 1/4-inch OD water supply line and a shut-off valve. For more information see page 12.

Environmental Requirements

The units are designed to operate between 50°F (10°C) and 100°F (37°C). High ambient temperatures (100°F [37°C] or higher) may reduce the unit's ability to reach low temperatures and may also reduce the ice production rate for those models with icemakers.

If the ambient temperature is expected to drop below 45°F (7°C), drain all water from the unit to prevent freezing damage, which is not covered by the warranty.

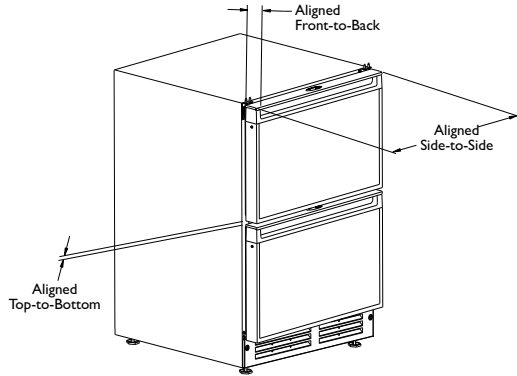
For best performance, keep the unit out of direct sunlight and away from heat generating equipment.

In climates where high humidity and dew points are present, condensation may appear on outside surfaces. This is considered normal. The condensation will evaporate when the humidity drops.

6 Standard Drawers

Checking Drawer Alignment

The unit's drawers are aligned at the factory before shipment. However, their alignment could have been disturbed during shipment or during overlay panel installation. Check each drawer to confirm that it is aligned:



- **Side-to-Side** — When viewed from the top, the drawer front should be square with the sides of the cabinet.
- **Front-to-Back** — When viewed from the side, the drawer front should be straight with the cabinet's sides, not cocked forward or back.
- **Top-to-Bottom** — When viewed from the front, the drawer should be level horizontally.

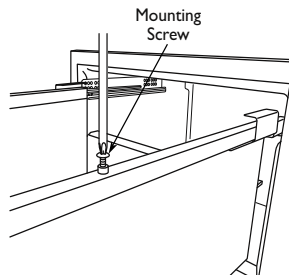
Adjusting Drawer Alignment

WARNING

SHOCK HAZARD — The unit must be unplugged from the wall outlet during drawer removal, adjustment and re-installation.

Drawer Removal

1. Confirm that the unit is unplugged from wall outlet.
2. Unplug the drawer's connection wiring (top drawer only).
3. Remove the mounting screws.
4. Pull the drawer completely out of the unit.



CAUTION

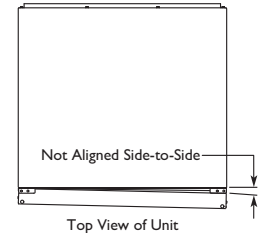
Use care when handling the drawer. Drawer edges, drawer rail and the unit's slide may be sharp.

NOTICE

Drawer adjustments are made by moving the slide that carries the drawer's rail. Minor adjustments may be made by loosening one of the slide's mounting screws, adjusting the slide and retightening the screw. Severe adjustments may be made by removing the slides' mounting screws, drilling new mounting holes and remounting the slide.

Side-to-Side Adjustment

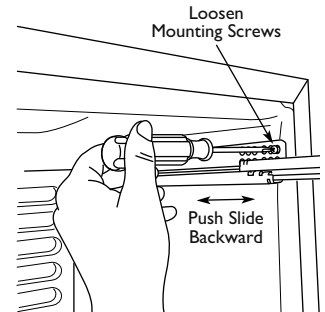
The drawer will need a Side-to-Side Adjustment if, when viewed from the top, the drawer front is not square with the sides of the cabinet. This is caused by one of the slides being mounted too far forward on the unit's liner.



Minor Adjustment:

Note: The mounting holes on the slide are slightly larger than the screws' diameter.

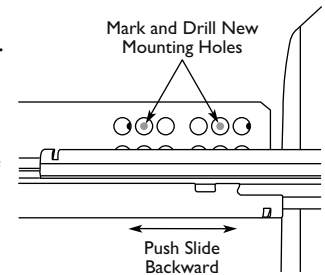
1. Loosen the slide's mounting screws.
2. Push the slide backward.
3. Retighten the screws.



Severe Adjustment:

Note: The slides have extra mounting holes that may be used.

1. Remove the slide's mounting screws.
2. Reposition the slide so it is the same distance from the front of the liner as the other slide. Measure to confirm.
3. Mark new drilling holes using different sets of mounting holes on the slide.

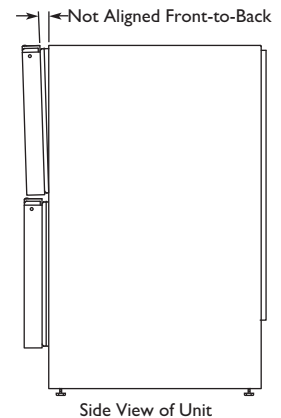


Note: Front location holes are shown. Corresponding rear holes will also need to be marked.

4. Drill all the new holes with a #30 drill bit.
5. Remount the slide.

Front-to-Back Adjustment

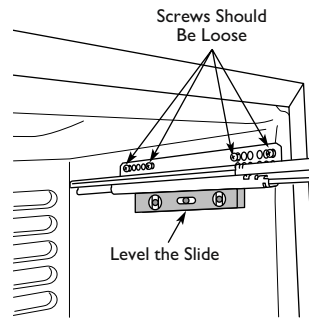
The drawer will need a Front-to-Back Adjustment if, when viewed from the side, the drawer front is cocked forward or back. This is caused by the front slide mountings not being level with the rear slide mountings.



Minor Adjustment:

Note: The mounting holes on the slide are slightly larger than the screws' diameter.

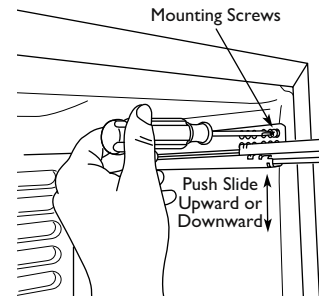
1. Loosen one slide's mounting screws.
2. Level the slide.
3. Retighten the screws.
4. Repeat procedure for the other slide.



Minor Adjustment:

Note: The mounting holes on the slide are slightly larger than the screws' diameter.

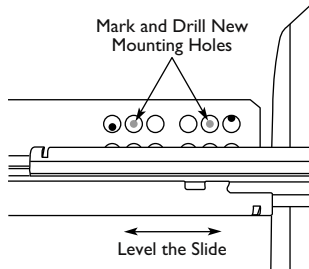
1. Loosen one slide's mounting screws.
2. Push the slide upward or downward to match the position of the other slide.
3. Retighten the screws.
4. Repeat the procedure with the other slide if necessary.



Severe Adjustment:

Note: The slides have extra mounting holes that may be used.

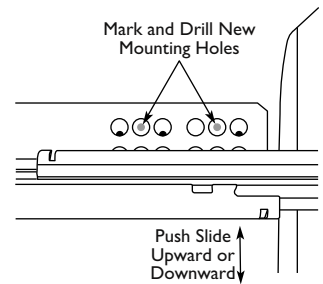
1. Loosen one slide's rear mounting screws.
2. Remove the slide's front mounting screws.
3. Reposition the slide so it is level.
4. Mark new front drilling holes using a different set of mounting holes on the slide.
5. Drill the new holes with a #30 drill bit.
6. Remount the slide.
7. Repeat procedure for the other slide.



Severe Adjustment:

Note: The slides have extra mounting holes that may be used.

1. Remove one slide's mounting screws.
2. Reposition the slide so it is the same distance from the bottom of the liner as the other slide. Measure to confirm.
3. Mark new drilling holes using different sets of mounting holes on the slide.

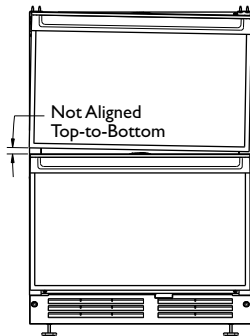


Note: Front location holes are shown. Corresponding rear holes will also need to be marked.

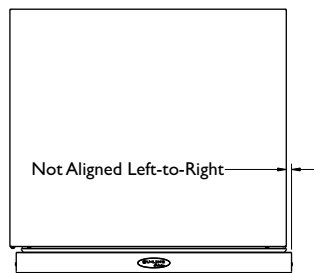
4. Drill all the new holes with a #30 drill bit.
5. Remount the slide.

Top-to-Bottom (and Left-to-Right) Adjustment

The drawer will need a Top-to-Bottom Adjustment if, when viewed from the front, the drawer is not level horizontally. Viewed from the top, one side will protrude. This is caused by one of the slides being mounted higher than the other slide on the unit's liner.



Front View of Unit



Top View of Unit

Re-installation of Drawer



Use care when handling the drawer. Drawer edges, drawer rail and the unit's slide may be sharp.

1. Set the drawer's rails onto the slides.
2. Re-install the rails' mounting screws.
3. Plug in the drawer's connection wiring (top drawer only).

7 Drawer Panel Installation

Custom 1/4" Drawer Panel Inserts

Drawer Panel Preparation

Custom drawer panels can be inserted into the drawer fronts. Custom drawer panels can be flat or raised, as long as the maximum panel thickness where inserted into the drawer front reveal (channel) is 1/4"-thick. For raised panels, the depth of the reveal is 1/4" on all four sides.

NOTICE

Raised panels will reduce the drawer's front clearance if the unit is installed facing an appliance or structure (see page 5).

Cut the panel inserts to the following dimensions.

Custom 1/4" Dimensions:

Width: 23-1/32"

Height: 12-15/32"

The door panels must not have a total weight of more than 20 lbs.

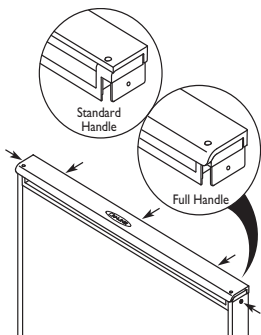
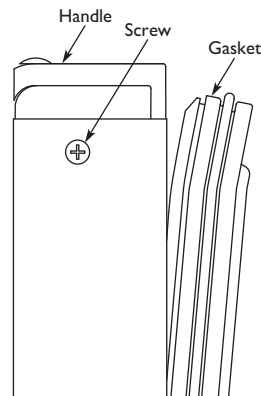
Drawer Panel Installation

Install the insert as follows:

CAUTION

Use care when handling the insert. Insert edges may be sharp.

1. Open drawer. Pull drawer gasket out of groove (top edge of drawer front only). Start in the middle and pull outward, moving toward the edge. This may take some force.
2. Remove and save the two outside screws.
3. Remove the original handle and discard.
4. Remove and discard existing panel and cardboard spacer.
5. Slide custom drawer panel insert into 1/4-inch channel in drawer front.
6. Holding drawer gasket out of the way, replace handle on drawer, making sure it is seated properly on insert and that screw holes line up.
7. Install two small screws removed in Step 2.
8. Starting at the corners and working inward, push drawer gasket into place on drawer.



Full Overlay Drawer Panel

Drawer Panel Preparation

A full overlay drawer panel completely covers the drawer frame and handle to give you a built-in appearance.

NOTICE

- The drawer panel must not weigh more than 10 lbs.
 - It is important to ensure that all drilled holes are drilled to the correct depth in order to avoid splits in the wood when hardware is installed.
 - Appliance will need up to 34-1/2" to the under side of the counter to leave room for leveling adjustments.
1. Determine cabinet toe kick height, measure the difference between the surface the appliance will sit on and the bottom of the adjacent cabinetry. Adjust lower panel height according to the height of your cabinetry's Toe Kick.
 2. The upper overlay has a fixed width and height. Cut the upper overlay to the dimension in the table below.

Upper Overlay

Height	Width
14-3/4"	23-3/4"

3. The lower overlay width is fixed at 23-3/4", and the height will vary depending on the height of your cabinetry's Toe Kick. Use the table below to determine the proper height.

Note: Dimensions will vary based on the levelness of the floor. If floor is uneven, cut panel to the next longer dimension and adjust level legs to achieve proper fit.

Lower Overlay

Toe Kick	Height	Toe Kick	Height
3-3/4"	14-3/4"	4-1/4"	14-3/8"
3-7/8"	14-3/4"	4-3/8"	14-1/4"
4"	14-5/8"	4-1/2"	14-1/4"
4-1/8"	14-1/2"		

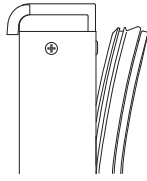
1. If user-supplied cabinet handles or knobs will be used, attach this hardware to the overlay panel at this time.

NOTICE

User-supplied cabinet handles MUST be counter-bored to make sure mounting hardware is below surface of overlay panel. Failure to do so can cause damage to overlay panel.

Removing Existing Drawer Fronts

1. Open drawer. Pull drawer gasket out of groove (top edge of drawer only). Start in the middle and pull outward, moving toward the edge. This may take some force.
2. Remove the two screws located at the ends of the handle. Remove the handle.
3. Remove existing vinyl panel and cardboard spacer. Discard the spacer.
4. Reinstall handle.
5. Repeat for both drawers.



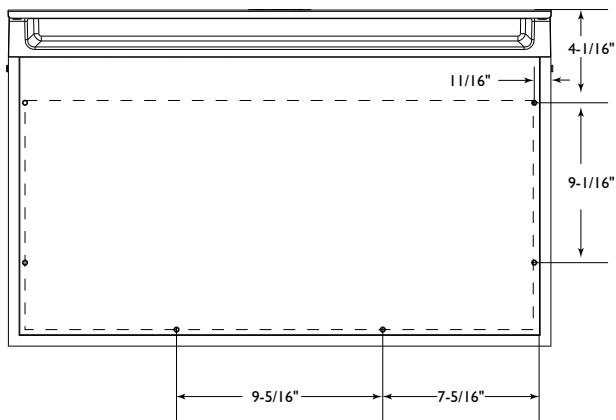
Preparing the Drawer Frame for Overlay

You have received your drawers with or without holes pre-punched into the galvanized steel. If your door does not have the punched holes, please use diagram below for hole location dimensions.

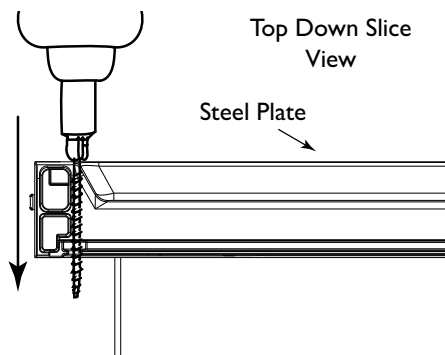
Preparing Steel Insert

1. With the drawer open and braced, drill 6 holes into the steel plate and through the frame using the pre-punched holes as a guide. If your panel is not pre-punched, see diagram below for hole locations. Repeat for both drawers.

Note: Hole location dimensions will not line up with holes in pre-punched panel.



Note: Be sure to drill completely through frame.



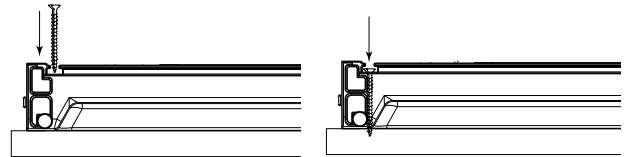
Panel Installation

1. Place prepared panel against drawer front and secure with clamps.
2. Be certain the panel is aligned flush with the top of the drawer handle.
3. Using a #6 Drill bit, drill 8 pilot holes into the wood panel 3/8" deep.

NOTICE

It is important to ensure that all drilled holes are drilled to the correct depth in order to avoid splits in the wood when hardware is installed.

4. Locate the 8 #6x2" screws provided in the overlay panel install kit.
5. Using a Phillips head and #6x2 screws, screw the drawer panel to the drawer front.
6. Be sure the screws force their way past the opening on the gasket channel and sit flush against the bottom of the gasket channel.
7. Repeat for both drawers.

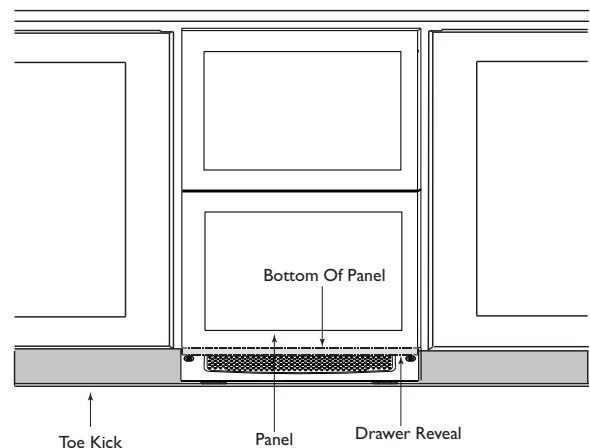


Assembling the Drawer Front

NOTICE

The bottom of the lower overlay panel will line up with the bottom of the adjacent cabinetry and may not line up with the bottom of the actual drawer itself. See graphic below.

1. Starting at the corners and working toward the center, push the drawer gasket back into place. Repeat for both drawers.



8 Wood Grille Overlay

Grille Overlay

Your model's grille is designed to accept a wood grille overlay. An overlay may be used to complement a door overlay and provides a seamless look for your surrounding decor. Follow the instructions below to prepare and install your grille overlay. Be sure to read over this chapter completely before beginning.

Preparation

CAUTION

The grille overlay **MUST** have venting as shown in the drawing below. Failure to have proper venting can result in damage to your model.

CAUTION

The grille overlay may only be installed on indoor units.

1. Prepare your overlay using the dimensions provided in the figure on page 11. If using a hook and loop style mount, drill hole A will not be used.
2. If desired, stain and finish your grille to match your surrounding decor. Follow the stain manufacturers instructions to apply stain to your overlay.

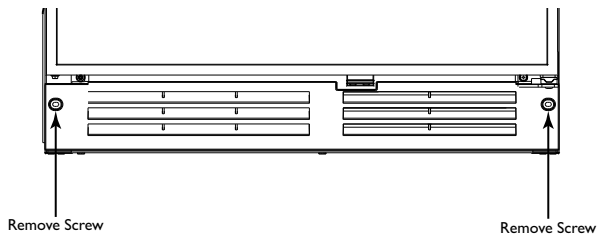
Installation

NOTICE

The wood overlay grille must be installed in such a manner that the grille assembly can still be removed from the unit.

Screw Mount (Recommended)

1. Remove the grille from your unit by removing the two mounting screws. See below.

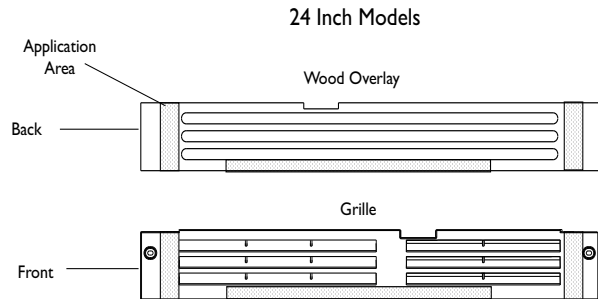


2. Lay the back of your grille overlay onto the front of the grille. Make certain the screw holes and vents are aligned.
3. Slide each of the screws removed in step 1 through the grille overlay and grille.
4. Mount your new overlay onto your unit by screwing the overlay back onto the base of your unit.

Hook and Loop Fastener Mount

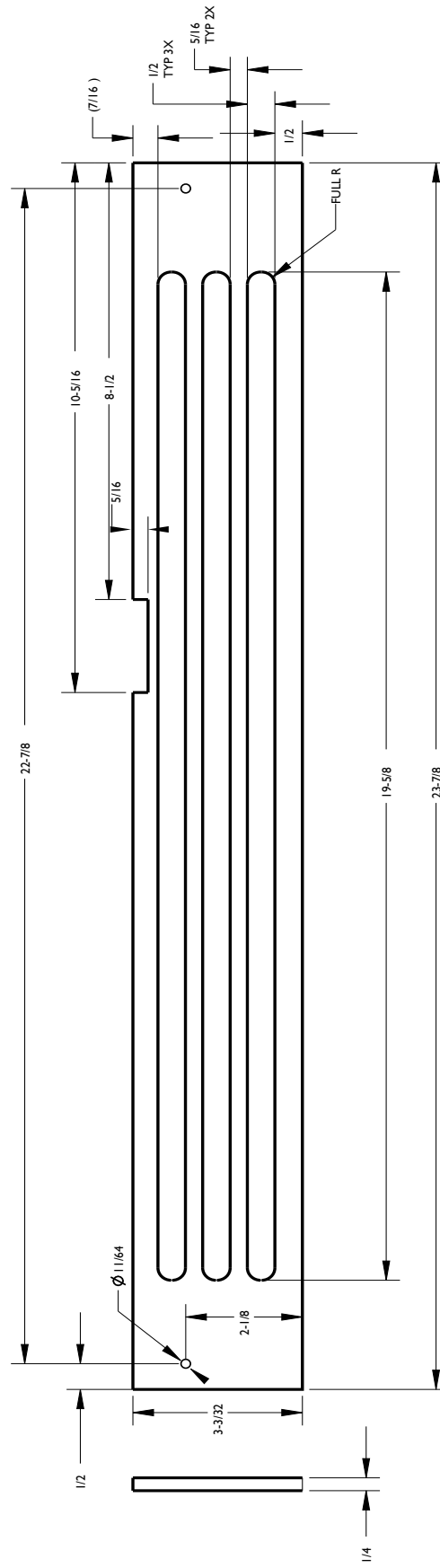
You may also mount your overlay to your grille using hook and loop type fasteners. U-Line recommends using 3M® Dual lock® fasteners. To mount your overlay using a hook and loop fastener, follow the instructions below.

1. Read the instructions provided with your hook and loop fastener carefully.
2. Apply hook and loop fastener system to the back of the overlay and front of the grille. Use the shaded areas in the diagram below for application location.



3. Carefully align the wood overlay with the grille and press into position.

Grille Overlay Dimensions 24 Inch Models



9 Prepare Plumbing

CAUTION

Plumbing installation must observe all state and local codes. All water and drain connections **MUST BE** made by a licensed/qualified plumbing contractor. Failure to follow recommendations and instructions may result in damage and/or harm.

Water Supply Connection

When connecting the water supply, follow these guidelines:

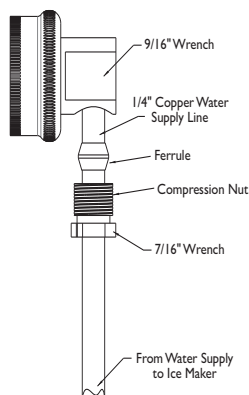
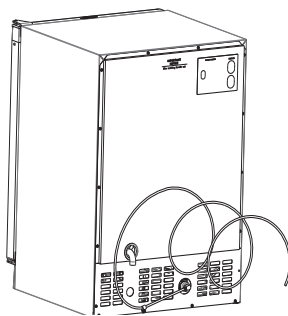
- Review the local plumbing codes before you install the unit.
- Connect to the cold water supply.
- The water pressure should be between 20 and 120 psi.
- The water line **MUST** have a shut-off valve in the 1/4" O.D. supply line.
- Leave approximately 8' of water line to be coiled behind the appliance. The water line should be looped into 2 coils. This will allow the unit to be removed for cleaning and servicing. However, make certain that the tubing is not pinched or damaged during installation.

NOTICE

U-Line requires the use of copper tubing, or U-Line water line hook up kit (U-MPWATERHOOKUP) for installation. Do not use any plastic water supply line. The line is under pressure at all times. Plastic may crack or rupture with age and cause water damage to your home.

To connect to water supply:

1. Locate the desired cold water supply location. Attach a 1/4" copper line to this location and route the tubing to the appliance. Leave approximately 8' of water line to be coiled behind the appliance. The water line should be looped into 2 coils. This will allow the line to flex when removing the unit for cleaning and servicing.
2. Locate the U-Line supplied garden hose fitting. Ensure the end of the copper tubing has been cut straight and free of burrs. Slide the compression nut and ferrule onto the copper tubing as shown. Push the assembly completely into the garden hose fitting and tighten using the two wrenches.

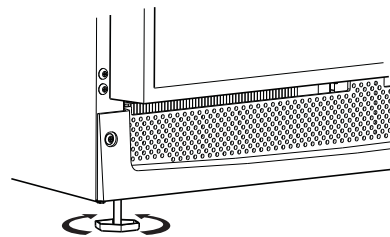
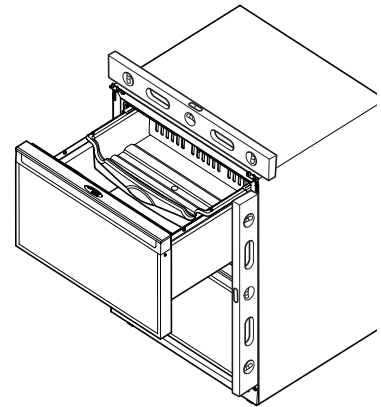


10 Level the Unit

Leveling Information

Note: It is recommended that the unit is level.

1. Use a level to check the levelness of the unit from front to back and from side to side. Level should be placed along top edge and side edge as shown (see figure).
2. If the unit is not level, adjust the feet on the corners of the unit as necessary.
3. Check the levelness after each adjustment and repeat the previous steps until the unit is level.



Installation Tip

If the room floor is higher than the floor in the cut-out opening, adjust the rear feet to achieve a total unit rear height of 1/8" less than the opening's rear height. Shorten the unit height in the front by adjusting the front feet. This allows the unit to be gently tipped into the opening. Readjust the front feet to level the unit after it is correctly positioned in the opening.

II Install Unit

1. Plug in the power cord.
2. Open the top drawer and press the **POWER** icon to turn the unit **OFF**.
3. **C2275DWR Only:** Open the water supply valve in the main water source.
4. Gently push the unit into position. Be careful not to entangle the electrical cord.
5. Re-check the leveling, from front to back and side to side. Make any necessary adjustments. The unit's top surface should be approximately 1/8" below the countertop.

Anti-Tip Kit Installation

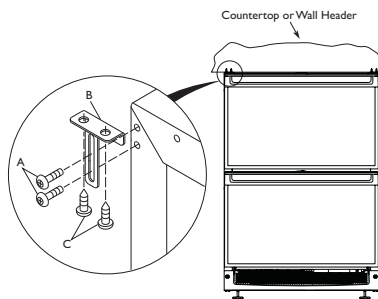
⚠ WARNING

- The Anti-Tip Kit must be installed on this unit before it is used.
- Additional blocking or special fasteners may be required for installation. Installer is responsible for secure attachment to prevent the unit from tipping.
- Make sure the mounting screws attaching the unit to the counter, cabinet or wall are deep enough into the mounting surface to support the weight of the drawers and the items that will be inside the drawers.
- Never use the drawers as steps or as a shelf to support more than the drawers' content. Serious personal injury could occur.

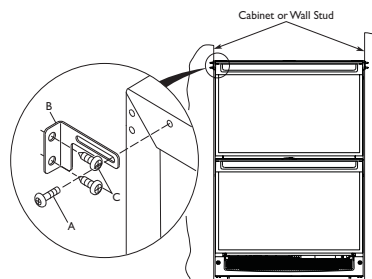
After leveling, the unit must be secured to a counter, a cabinet or a wall to prevent tipping.

1. Open the upper drawer to expose the six screws (A) installed at the top two corners (three at each corner). Remove the appropriate screws for horizontal or vertical mounting. Do not discard.

Horizontal Mounting (Left Side Shown)



Vertical Mounting (Left Side Shown)



2. Insert the screws through the anti-tip bracket (B) and attach the bracket to the unit. Tighten screws securely.
3. Repeat for the other side.

Note: The bracket should be flush with the surface it is being attached to. If it is not, loosen the screws and slide the bracket against the mounting surface. Tighten screws securely.

4. Using two of the screws (C) supplied, fasten the screws through the bracket and into the counter, cabinet or wall.

NOTICE

Certain cabinets or countertops may require special fasteners or additional wood blocking to anchor properly.

⚠ CAUTION

Make sure the screws are back far enough so they do not damage any exposed front surface of the cabinet.

Installation Troubleshooting

Q: Problem

The drawer remains open unless it is pushed closed.

A: Solution

The drawer should be self-closing when it is open approximately 8". If it is not, re-check leveling from front to back of the unit and readjust if necessary.

Q: Problem

Water is leaking under the unit (C2275DWR units)

A: Solution

A water leak under the unit is most likely caused by a bad connection in the water supply line. Make sure the water line's brass fitting is screwed tight to its valve and threaded correctly.

First Time Start-Up

All U-line units are shipped from the factory with controls that are preset. No initial adjustments are required.

Once installation and leveling is complete, the unit is ready for initial start-up and operation. Open the top drawer press and hold the POWER icon on the display panel for approximately ten seconds until the °F symbol flashes and release.

U-Line recommends that the unit be allowed to run overnight prior to loading the refrigerator with product.

Start-Up Troubleshooting

Problem

Unit does not appear to turn on when POWER icon is pressed.

Solution

Make sure unit is plugged in and outlet has power (circuit breaker has not tripped).

NOTICE

See the Use and Care Guide's Troubleshooting Guide for more solutions.

PRODUCT INFORMATION

Complete Installation Guides, Use and Care Guides, Specifications & Features and Benefits, CAD Drawings, Overlay Panel/Frame and Toe-Kick Specifications and Instructions, Compliance Documentation and Applicable Energy Guides are available for reference and download at u-line.com.

SERVICE INFORMATION

Please consult your Use and Care Guide for troubleshooting information. Answers to Customer Frequently Asked Questions are available at u-line.com under Customer Service. You may contact U-Line directly:

GENERAL INQUIRIES:

U-Line Corporation
P.O. Box 245040
Milwaukee, Wisconsin 53224-9540 U.S.A.
Phone 1-414-354-0300
FAX 1-414-354-7905
Email: sales@u-line.com
u-line.com

SERVICE ASSISTANCE:

Phone 1-800-779-2547
FAX 1-414-354-5696
Email: onlineservice@u-line.com
u-lineservice.com

PARTS ASSISTANCE:

E-mail: onlineparts@u-line.com

BUILDING ON THREE GENERATIONS OF INNOVATION

For over five decades and through three generations, U-Line continues to be the leader in innovation, quality and performance in the premium built-in undercounter ice making, refrigeration and wine preservation market. U-Line has captivated those with an appreciation for the finer things with exceptional functionality, style, inspired innovation and attention to even the smallest details. We are known and respected for our unwavering dedication to product design, quality and selection.

In 1962, Henry Uihlein founded U-Line Corporation as an outgrowth of Ben-Hur Freezer Company and was the first to develop and patent an automatic stand-alone undercounter residential ice maker. His foresight and determination to develop new ideas and to succeed when there were no clear guidelines or solutions are evident today. The newest Uihlein generation continues to build upon the family's innovative legacy at the Milwaukee, Wisconsin based business by providing continuity and vision from which new designs and technology continue to be born.

Today the complete U-Line product collection includes Ice Makers, Ice Machines, Wine Captain[®] Models, Combo[®] Models, Refrigerator / Freezers, Refrigerators, Drawer Models and Beverage Centers. The U-Line brand offers products in the 1000 Series, 2000 Series and the Modular 3000 Series. The 1000 Series offers a more targeted priced product with appropriate features, while the 2000 Series offers upscale features, advanced technology and specialized product families. Our Modular 3000 Series provides sleek design and versatile temperature settings with our U-Select[®] control. U-Line's approach to its breadth of products, multiple price points and features allows a choice and product that will fit any lifestyle.

DESIGNED, ENGINEERED AND ASSEMBLED IN WISCONSIN, USA