



Stainless Solid



Integrated Solid

### Key Features

- Convection cooling system provides a quick cool down and consistent temperature
- Converts to a refrigerator with the touch of a button
- White interior
- Three full-extension chrome plated slide-out baskets
- Stainless steel full-wrap door and handle (7/8" diameter)
- Stainless steel grille (stainless model), black metal grille (integrated model)
- Digital touch pad control
- Refrigerator temperature range: 34°F to 45°F
- Freezer temperature range: -5°F to 5°F
- Bright white LED lighting
- Volume of 4.8 cu ft
- Field reversible door is shipped right-hand hinged
- Built-in or freestanding
- Four adjustable leveling legs

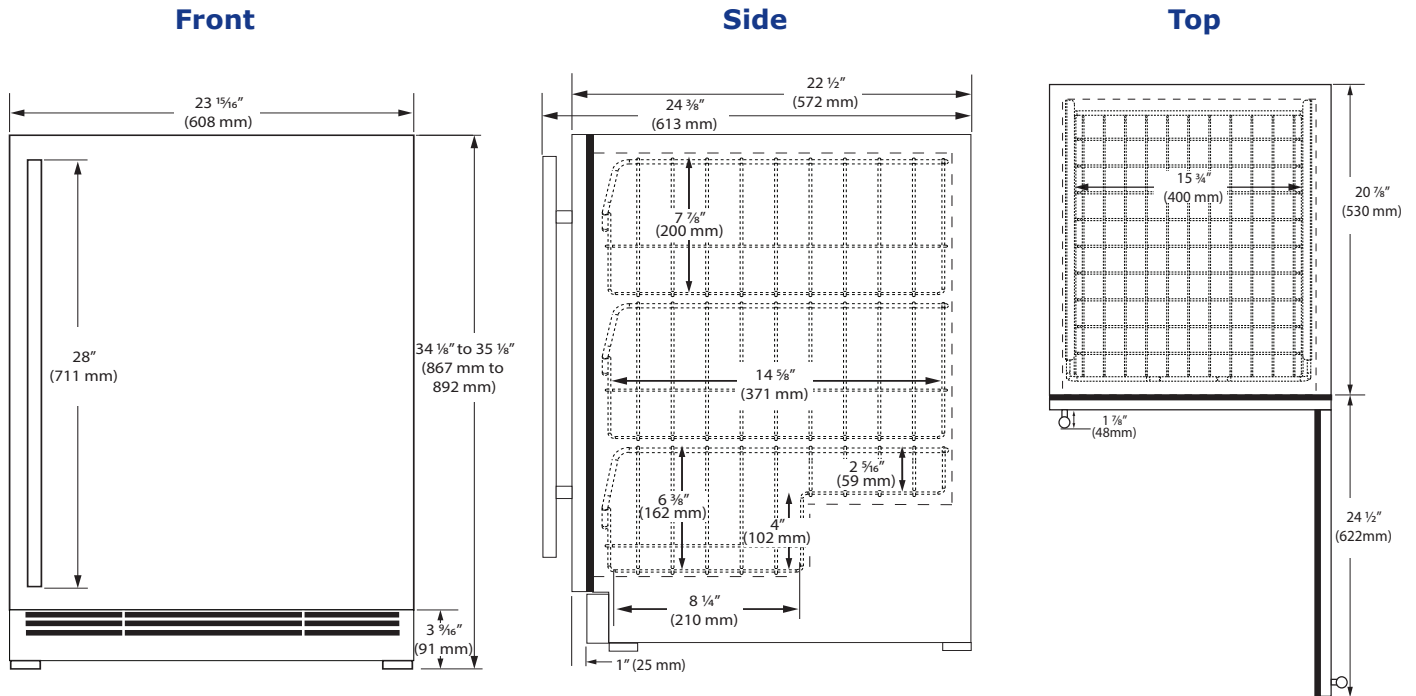
### Model Details

Model	Voltage/Hz	Door Swing	Finish	Shipping Weight
UHFZ124-SS01B	115 / 60	Field Reversible	Stainless Solid	125 lb
UHFZ124-IS01B	115 / 60	Field Reversible	Integrated Solid	122 lb

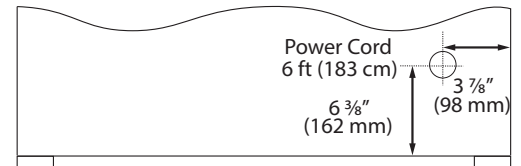
### Accessories

Model	Description	Finish	Shipping Weight
ULAFREESTANDB	Freestanding Kit	Black	3 lb

# HFZ124 • 24" Convertible Freezer • 1 Class



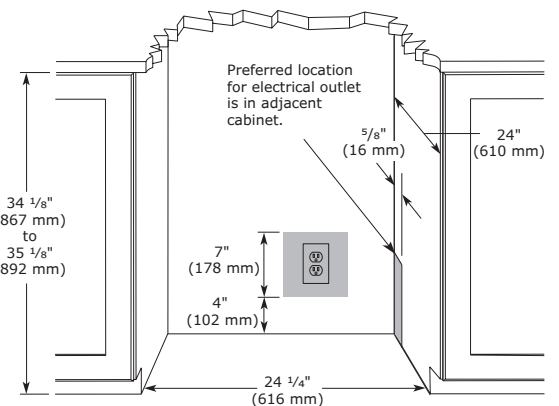
## Back



## Specifications

Model	HFZ124
Amps: Running (115 v)	2.5 A
Capacity: Total Volume (cu ft)	4.8 cu ft
Dimensions: Product Depth	22 1/2" / 572 mm
Dimensions: Product Height	34 1/8" / 867 mm
Dimensions: Product Width	23 15/16" / 608 mm
ENERGY STAR	Tier 1
Energy Consumption: Avg. Per Year	390 kWh
Panel Height	30 1/4" / 768 mm
Panel Thickness	3/4" / 20 mm
Panel Type	Solid Panel
Panel Width	23 3/4" / 603 mm
Refrigerant Type	R600a
Sabbath (Star K Certified)	Yes
Temperature Range	-5°F to 5°F / 34°F to 45°F

## Cabinet Cut-Out



## Warranty

- 1 Year (parts & labor) / 5 year sealed system (parts)
- + **Additional 1 Year (parts & labor) warranty at no cost with product registration**

See complete warranty for details



## Installation Notes

- 24" cutout width sufficient if door protrudes beyond adjacent cabinetry
- No additional clearance is needed for ventilation
- Do not obstruct front grille air flow



Please visit [u-line.com](http://u-line.com) to view this model's User Guide & Service Manual. All Specifications are subject to change without notice.

8900 North 55th Street • Milwaukee, Wisconsin 53223 USA • +1.414.354.0300 • [sales@u-line.com](mailto:sales@u-line.com) • [u-line.com](http://u-line.com)