

RF25HMEDBSR

SAMSUNG

25 cu. ft 4-Door French Door Refrigerator with Counter-Height FlexZone™ Drawer



Signature Features

FlexZone™ Drawer

- Adjustable Smart Divider creates four flexible-size compartments.
- Four customizable temperature settings: Meat/Fish at 29°F, Cold Drinks at 33°F, Deli/Snacks at 37°F, and Wine/Party Dishes at 42°F.
- Convenient, counter-height drawer easily accessible for kids.

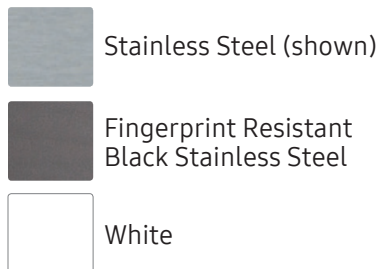
Twin Cooling Plus®

- Keeps food fresher longer – Twin Cooling Plus® humidity levels up to 3.6x higher than single cooling.
- Refrigerator air is kept at higher, near commercial-grade humidity levels to keep perishable fruits and vegetables fresher longer.
- Drier freezer air means less freezer burn for better-tasting frozen foods.

Ice Master

- Produces 10 lbs. of ice per day and stores 4.2 lbs.
- Space-saving design leaves more room in the refrigerator.

Available Colors



Ice Master Ice Maker



FlexZone™ Drawer

Features

- 33 Inches Wide
- FlexZone™ Drawer with 4 Temperature Control Settings and Smart Divider
- Twin Cooling Plus®
- Ice Master Ice Maker in the Refrigerator
- Large Capacity – 25 cu. ft.
- ENERGY STAR®-Compliant
- Premium External Filtered Water and Ice Dispenser
- High-Efficiency Top and Side LED Lighting
- Adjustable Shelf for Tall Oversized Items
- Stainless Steel Accents on Interior Shelving and Door Bins

- EZ-Open Handle™ on Freezer Door and FlexZone™ Drawer
- Two Humidity-Controlled Crispers
- Tempered Glass Spill-Proof Shelves
- Gallon Door Bins
- Auto Pull-Out Upper Freezer Drawer
- Easy-to-Access Water Filter

Convenience

- Cool Tight Door
- Water Filter Indicator
- Door Alarm

Rating



ENERGY STAR®-rated:
CEE Tier 1
687 kWh/yr

RF25HMEDBSR

SAMSUNG

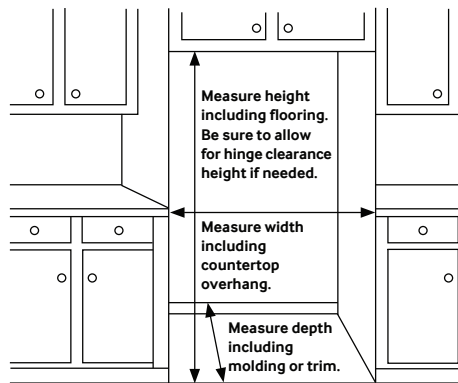
25 cu. ft 4-Door French Door Refrigerator with Counter-Height FlexZone™ Drawer

Installation Specifications

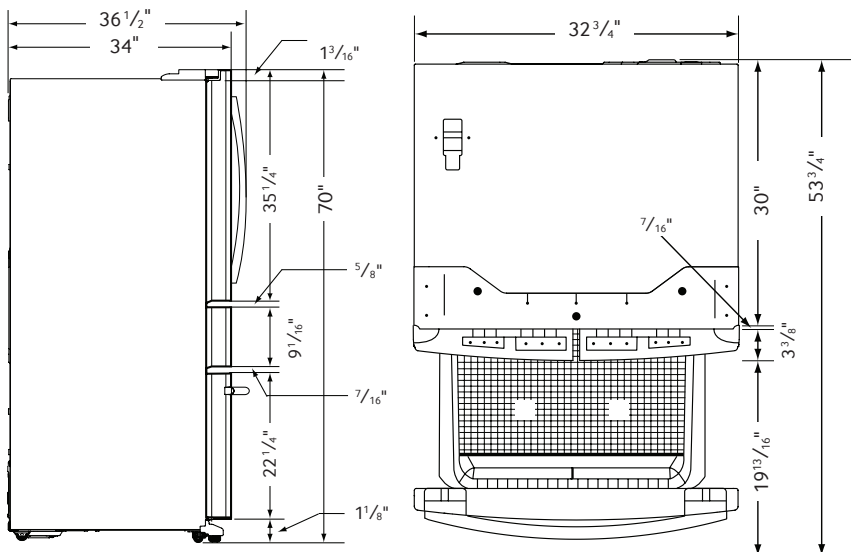
1. Measure the height, width and depth of the opening, making sure to include baseboards, molding tile, countertop overhang, etc. Check to be sure there is enough room to open the door (consider walls, islands or other obstacles when measuring).
2. Refer to illustration below to determine dimensions.
3. Allow 2.5" of clearance on hinge side of refrigerator when installing next to a wall where handle may make contact.
4. Allow 1" minimum clearance at rear for proper air circulation and water/electrical connections. Allow a 3/8" minimum clearance at sides and top for ease of installation.
5. Ensure each door and entryway in the home is wide enough for the refrigerator to be moved through easily.

For optimal usage and to be able to open refrigerator doors completely, do not install next to a wall.

Please note: The following dimension and cutout information is for planning purposes only. For complete installation details, consult manual packed with product, or download manual online at samsung.com.



Dimensions



Total Capacity: 24.73 cu. ft.

Refrigerator: 13.98 cu. ft.

- Premium External Filtered Water and Ice Dispenser
 - Crushed or Cubed Ice
- Ice Master Ice Maker
- 2 Humidity-Controlled Crispers
- 5 Tempered Glass Spill-Proof Shelves
- Adjustable Shelf for Tall Oversized Items
- 6 Clear Door Bins
 - Right Door: 3 Gallon Bins
 - Left Door: 3 Regular Bins
- High-Efficiency Top and Side LED Lighting

FlexZone™ Drawer: 3.43 cu. ft.

- EZ-Open Handle™
- 4 Temperature Zones with Smart Divider:
 - Meat/Fish (29°F)
 - Cold Drinks (33°F)
 - Deli/Snacks (37°F)
 - Wine/Party Dishes (42°F)

Freezer: 7.32 cu. ft.

- EZ-Open Handle™
- 1 Drawer Divider
- High-Efficiency LED Lighting

Warranty

One (1) Year Parts and Labor on Refrigerator
 Five (5) Years Parts and Labor on Sealed Refrigeration System Only*
 Ten (10) Years Parts and Five (5) Years Labor on Digital Inverter Compressor

*Compressor, evaporator, condenser, drier and connecting tubing.

Product Dimensions & Weight

Dimensions (WxHxD with hinges, handles and doors):

32 3/4" x 70" x 36 1/2"

Dimensions (WxHxD without hinges and door):

32 3/4" x 68 7/8" x 30"

Dimensions (WxHxD with hinge and door, no handle):

32 3/4" x 70" x 34"

Weight: 339 lbs.

Shipping Dimensions & Weight (WxHxD)

Dimensions: 38 1/4" x 76" x 36 7/8"

Weight: 363 lbs.

Color	Model #	UPC Code
Stainless Steel	RF25HMEDBSR	887276966069
Fingerprint Resistant		
Black Stainless Steel	RF25HMEDBSG	887276139760
White	RF25HMEDBWW	887276967684