

WU 4500

Wine Refrigerator

LIEBHERR

Refrigeration and Freezing



home.liebherr.com



WU 4500

Energy consumption (kWh / y)	165
Sound rating dB(A)	39
Total capacity cu.ft. (l)	3.9 (110)
Max. No. of Bordeaux bottles (0.75l)	46
Number of shelves	4
Shelves on telescopic rails	3
Self material	Beech wood
Presentation shelf	No
Electronic control	Touch electronic
Temperature range °F (°C)	41 to 68°F (5 to 20°C)
Temperature zones	1
Temperature alarm	Yes
Interior light	LED interior lighting
Door alarm	Yes
Safety thermostat	Yes
Activated charcoal filter	Yes
Door type	Glass door with stainless steel frame
Door hinges	Right, reversible
SoftSystem	No
Door lock	Yes
Product dimensions	
in inch (H / W / D)	32 1/4 / 23 9/16 / 22 3/4
in cm (H / W / D)	81.8 / 59.7 / 57.7
Cut out dimensions	
in inch (H / W / D)	32 5/16 - 34 5/16 / 23 5/8 / 22 7/8
in cm (H / W / D)	82-87 / 60 / 58
Net weight lbs. (kg)	99.2 (45)
Voltage V / Hz	115/60

Accessories

FreshAir charcoal filter	9882470
SBS kit	9902272
Overlay kit	9590131

Features

Wine

Wine storage cabinets provide similar conditions to wine cellars. A constant temperature prevails throughout the interior in these appliances. It can be set to between 41° to 68° F (5° to 20°C) as required. Wine storage cabinets are ideal for the long-term storage and maturing of wines.

LED

LED lighting is energy efficient, long-lasting, and maintenance-free. It illuminates the refrigerator to ensure that your foods are visible.

Telescopic Rails

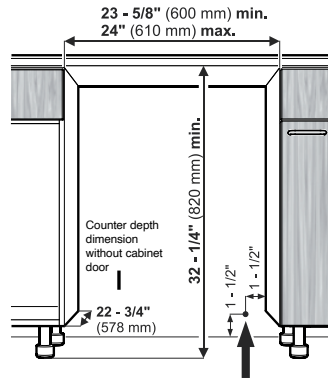
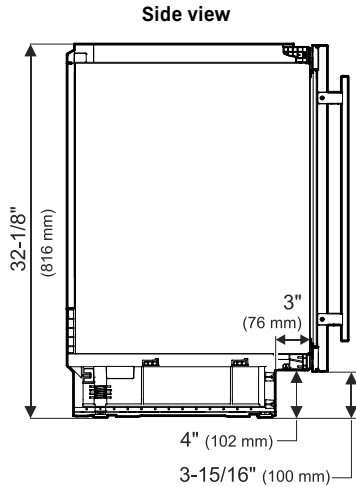
Telescopic rails a self-closing system for shelves ensures easy and convenient handling.

ADA Compliant

ADA compliant, designed to fit under counter heights between 32" and 34".

Diagrams

Appliance and Cabinet Dimensions



The power cord exits the rear of the appliance at this location.

Height when adjustable feet have been screwed in as far as they will go

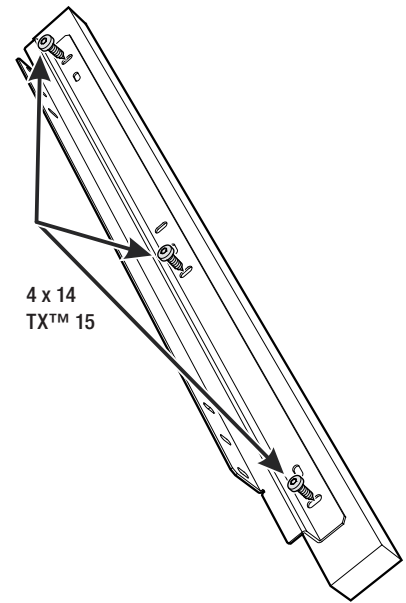
Delivery status = feet approx. 1/8" unscrewed.

Maximum height adjustment = 2" (51 mm) to allow for a 6" (153 mm) toe kick.

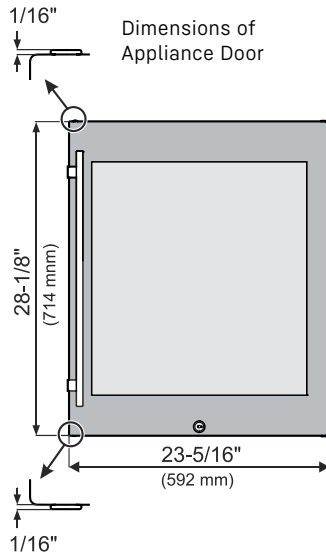
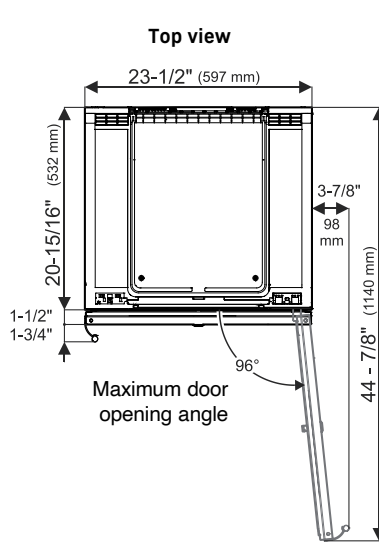
Free length of the power cord = 78 - 3/4 inch (2000 mm)

IMPORTANT
The electrical outlet must not be situated behind the appliance and must be easily accessible.

Mounting the panel onto the angle bracket



Mount the panel onto the angle bracket using three 4 x 14 screws.



IMPORTANT

The floor on which the appliance stands must be horizontal and level. The kitchen units must be aligned horizontally and vertically.

Appliance Venting

The appliance ventilation is in the toe kick. To adjust your wine unit to the counter height, an adjustable toe kick is included.

Height can be adjusted from 4 to 6 1/2".

