

# WU 3400

Wine refrigerator

# LIEBHERR

## Refrigeration and Freezing



home.liebherr.com



### WU 3400

Energy consumption (kWh / y)	170
Sound rating dB(A)	34
Total capacity cu.ft. (l)	3.3 (94)
Max. No. of Bordeaux bottles (0.75l)	34
Number of shelves	5
Shelves on telescopic rails	3
Self material	Beech wood
Presentation shelf	No
Electronic control	Touch electronic
Temperature range °F (°C)	41 to 68°F (5 to 20°C)
Temperature zones	2
Temperature alarm	Yes
Interior light	LED interior lighting
Door alarm	Yes
Safety thermostat	Yes
Activated charcoal filter	Yes
Door type	Glass door with stainless steel frame
Door hinges	Right, reversible
SoftSystem	No
Door lock	Yes
<b>Product dimensions</b>	
in inch (H / W / D)	32 1/4 / 23 9/16 / 22 3/4
in cm (H / W / D)	81.8 / 59.7 / 57.7
<b>Cut out dimensions</b>	
in inch (H / W / D)	32 5/16 - 34 5/16 / 23 5/8 / 22 7/8
in cm (H / W / D)	82-87 / 60 / 58
Net weight lbs. (kg)	108 (49)
Voltage V / Hz	115/60

### Accessories

FreshAir charcoal filter	9882470
SBS kit	9902272
Overlay kit	9590131

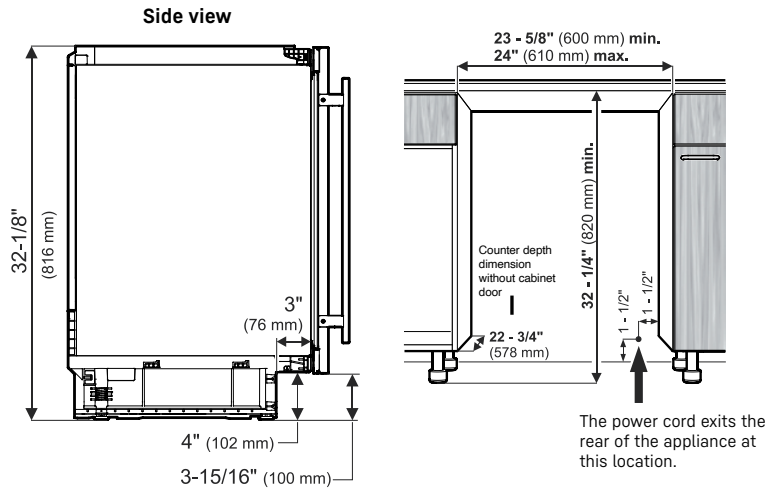
### Features

- LED** LED lighting is energy efficient, long-lasting, and maintenance-free.
- Wine** Wine storage cabinets provide similar conditions to wine cellars. A constant temperature prevails throughout the interior in these appliances. It can be set to between 41° to 68° F (5° to 20°C) as required. Wine storage cabinets are ideal for the long-term storage and maturing of wines.
- Telescopic Rails** Telescopic rails a self-closing system for drawers and shelves, ensures easy and convenient handling.
- ADA Compliant** ADA compliant, designed to fit under counter heights between 32" and 34".

\*\* Noise output - according to EN 60704-3

# Diagrams

## Appliance and Cabinet Dimensions



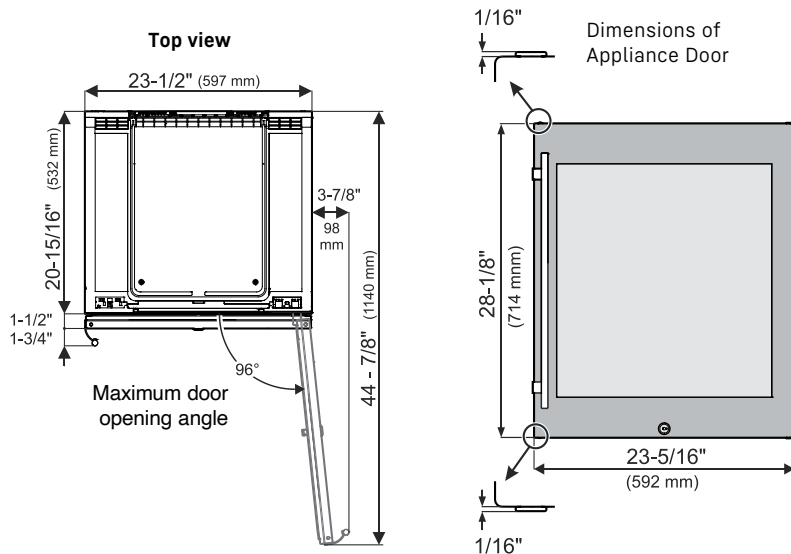
**Height when adjustable feet have been screwed in as far as they will go**

Delivery status = feet approx. 1/8" unscrewed.

**Maximum height adjustment = 2" (51 mm)** to allow for a 6" (153 mm) toe kick.

Free length of the power cord = **78 - 3/4 inch (2000 mm)**

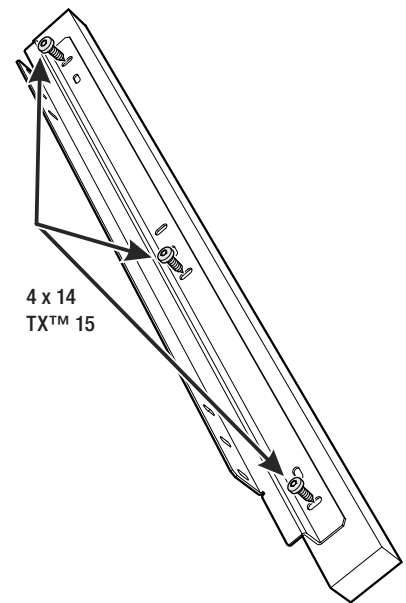
**IMPORTANT**  
The electrical outlet must not be situated behind the appliance and must be easily accessible.



**IMPORTANT**

The floor on which the appliance stands must be horizontal and level. The kitchen units must be aligned horizontally and vertically.

## Mounting the panel onto the angle bracket



Mount the panel onto the angle bracket using three 4 x 14 screws.

## Appliance Venting

The appliance ventilation is in the toe kick. To adjust your wine unit to the counter height, an adjustable toe kick is included.

Height can be adjusted from 4 to 6 1/2".

