



RU 510

Beverage/Wine Cooler



LIEBHERR

Quality, Design and Innovation

Liebherr's sleek **RU 510** 24" beverage/wine center stores a variety of drinks to perfection, while keeping them close at hand in any kitchen, bar, or entertainment area. Whether you're entertaining a large group, or having a quiet family night at home, the RU 510 offers amazing capacity and superior storage, with sophisticated design that blends beautifully with any decor.

The **RU 510** features a glass door for a clear view of stored beverages, and an elegant stainless steel frame that can also accommodate a custom panel if desired. The appliance offers a variety of storage flexibility options thanks to the glass shelves with stainless steel trim, a convenient split shelf for storing taller items, and a pull out metal rack. The electronic control system is situated at the top of the interior and is visible through the glass door, allowing for temperature settings between 37°F to 68°F.



Beverage/Wine Cooler

RU 510 GrandCru



Sound rating dB(A)**	39
Total capacity cu.ft. (l)	3.8 (108)
Max. No. of Bordeaux bottles (0.75 l)	–
Number of shelves	4
Shelves on telescopic rails	1
Shelf material	glass
Electronic control	MagicEye with digital temp. display, touch electronic
Temperature range °F (°C)	+36°F to +68°F (+2°C to +20°C)
Temperature zones	1
Interior light	LED lighting permanently on
Door alarm	acoustic
Safety thermostat	yes
Activated Charcoal filter	yes
Door type	Glass door with stainless steel frame
Integrated lock	yes
Door hinges	right, reversible
Product dimensions (H/W/D) in. (cm)	32 1/4" / 23 9/16" / 22 3/4" (81.8/59.7/57.7)
Cut out dimensions (H/W/D) in. (cm)	32 5/16"-34 5/16" / 23 5/8" / 21 11/16" (82-87/60/55)
Net weight lbs. (kg)	103.6 (47.0)
Voltage V/Hz	115/60

* Estimated energy cost will depend on utility rates and use. Estimated energy cost based on a national average electricity cost of 12 cents per kWh.

** Noise output – according to EN 60704-3.



German Engineering: Our superior products offer premium quality, cutting edge design, and innovative features that best fit your lifestyle. The use of high quality materials, perfectly detailed finishes, and elite cooling components are combined with the latest production processes, resulting in an outstanding cooling product.



Super Quiet

SuperQuiet: Noise levels are kept to a minimum thanks to virtually silent, speed-controlled, and sound absorbing compressors. Alongside a low noise cooling circuit, these features ensure exact performance, energy efficiency, and SuperQuiet operation.



Electronic Control

Precision Electronics: The electronic control system is situated at the top of the interior. The temperature can be set from 37°F to 68°F. The cabinet includes a lock for added protection of items stored.



LED

LED Lighting: The energy efficient LED ceiling light not only emits virtually no heat to cast a cool glow to give a pleasing ambient light inside the appliance as well as the room.



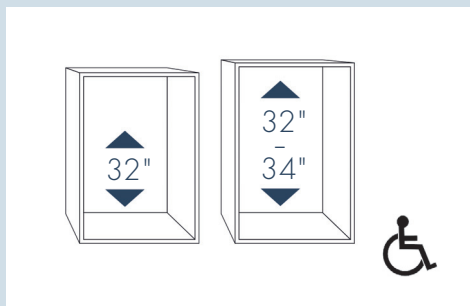
Storage shelves: This unit offers flexible storage options thanks to two glass shelves, a convenient split shelf for storing taller items, and a pull-out metal rack.



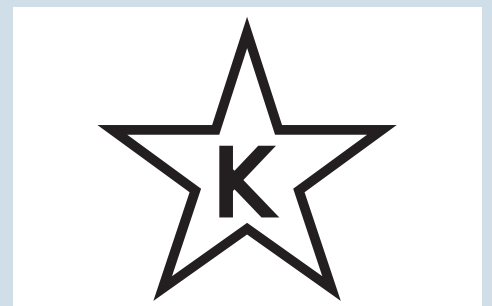
Integrated Lock: A sturdy lock protects your fine wine collection.



Alarm: Liebherr wine cabinets are equipped with a trustworthy alarm system which alerts the owner if the door has been left open, or if there are temperature changes.



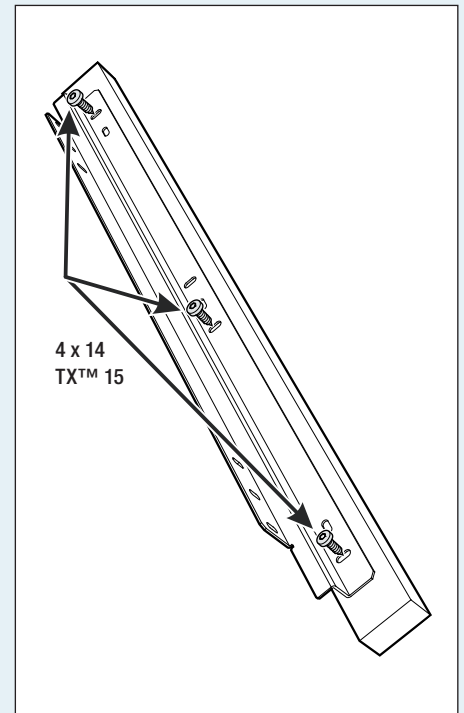
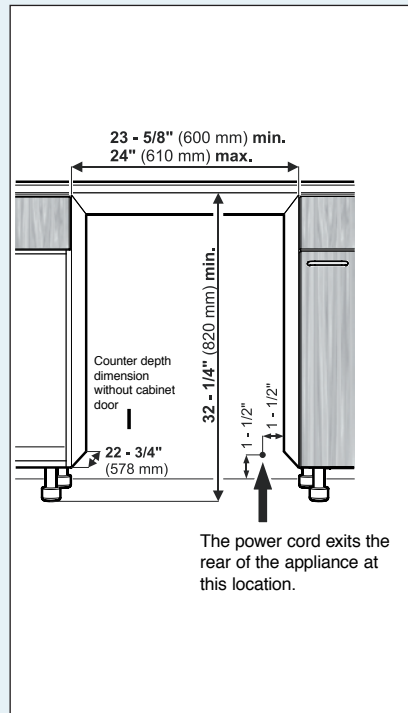
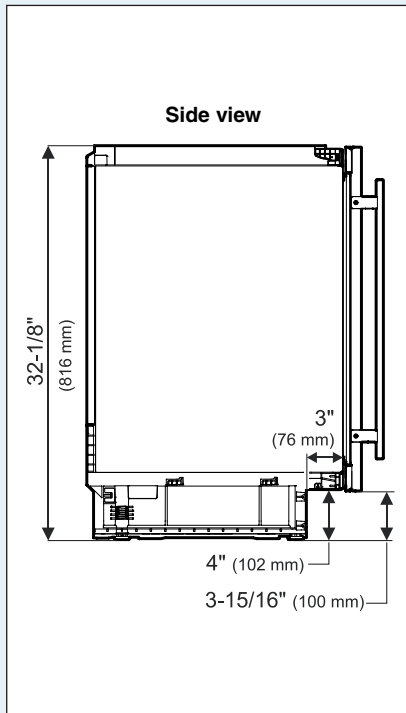
ADA Compliant: The Americans with Disabilities Act (ADA) establishes guidelines for consumer products to make them accessible to people with disabilities. Liebherr ADA compliant refrigerators allow one handed operation, fit below a 34" countertop and have controls that are positioned no higher than 48" above point of installation.



Star-K: Liebherr's refrigeration products are certified as Sabbath compliant by the Star-K organization. These units meet the strict religious requirements of the organization and are designed to meet all the needs of our Kosher users.

Appliance and Cabinet Dimensions

Mounting the panel onto the angle bracket

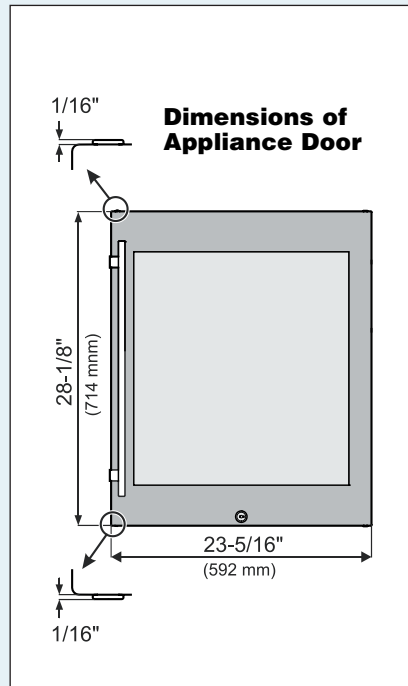
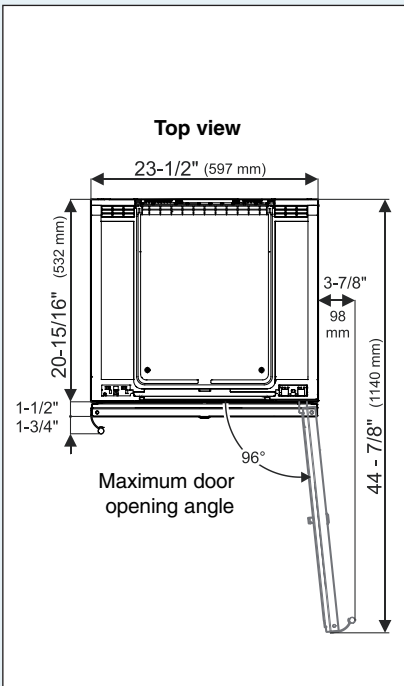


Mount the panel onto the angle bracket using three 4 x 14 screws.

Height when adjustable feet have been screwed in as far as they will go.
Delivery status = feet approx. 1/8" unscrewed.
Maximum height adjustment = 2" (51 mm) to allow for a 6" (153 mm) toe kick.

Free length of the power cord = 78 - 3/4 inch (2000 mm)
IMPORTANT
The electrical outlet must not be situated behind the appliance and must be easily accessible.

Appliance Venting



IMPORTANT
The floor on which the appliance stands must be horizontal and level.
The kitchen units must be aligned horizontally and vertically.

The appliance ventilation is in the toe kick. To adjust your wine unit to the counter height, an adjustable toe kick is included. Height can be adjusted from 4 to 6 1/2".