

HWS 1800 Grand Cru

24" Wine Cabinet 1 Temperature Zone



You may want to look your fine wine in the eye, not hide it under the counter. Liebherr lets you gaze at eye-level on the gorgeous **HWS 1800**, the fully integrated wine unit that holds 18 bottles in an ideal storage environment. The innovative styling allows the unit to sit flush with cabinetry and its recessed handle maintains a smooth line. When designing the custom kitchen, take advantage of the flexibility to put this unique modular unit anywhere.



The temperature is continuously adjustable from 41° to 68F and the LED ceiling light is dimmable to cast a cool glow across the room. The insulated glass door with UV protection and the activated charcoal filter protect the wine from busy kitchen influences such as light and odor.

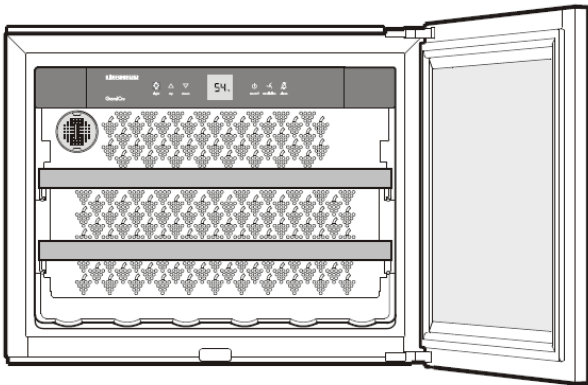


telescopic wooden racks

Number of 0.75-l-DIN Bordeaux-bottles, max.	18
Temperature zones	1
Type of control	Digital temperature display in the MagicEye
Temperature display wine storage compartment	internal digital
Temperature range wine compartment	+41°F to +68°F
Storage shelves, wine storage compartment	3
Storage shelf material, wine storage compartment	Wooden grid shelves
Interior light, wine storage compartment	+
Fan	+
Activated charcoal filter	+
Lock	-
Door hinges	right interchangeable
Unit weight in pounds	70.5
Total net capacity in cu. ft.	1.7
Dimensions, recess	
Measurements in inch: height, width, min. depth	17 3/4, 22 1/16, 21 11/16
Cabinet opening dimension	17 3/4



*THIS IS JUST A QUICK REFERENCE GUIDE, FOR COMPLETE INSTRUCTIONS, PLEASE REFER TO THE DESIGN GUIDE OR VISIT <http://www.liebherr-appliances.com>

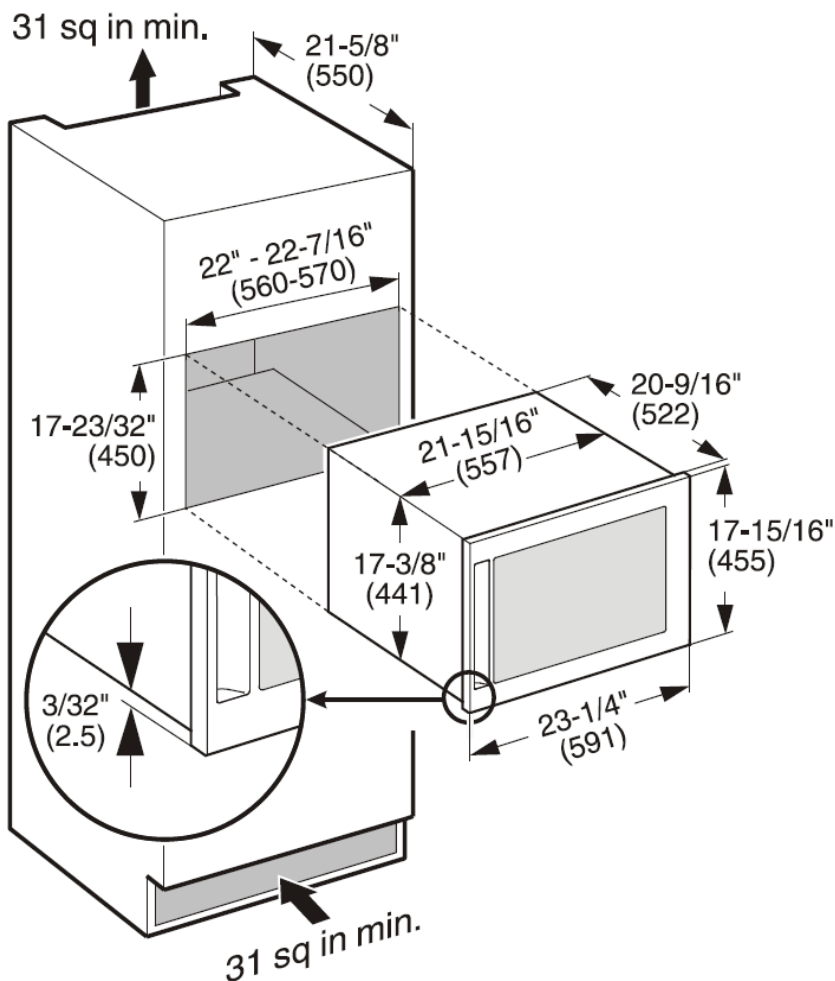


HWS 1800
 Energy Supply: 115V / 60Hz / 1.5A
 Climate Rating: SN
 Door hinges: right
 Door: glass door with stainless steel

- Touch electronic control system
- LED lighting
- Telescopic wine racks
- Activated charcoal filter

Liebherr lets you gaze at eye-level on the HWS 1800, the fully integrated wine unit that holds 18 bottles in an ideal storage environment. The innovative styling allows the unit to sit flush with cabinetry and its recessed handle maintains a smooth line. When designing the custom kitchen, take advantage of the flexibility to put this unique modular unit anywhere.

Fitting Dimensions HWS 1800



Measurement in brackets are millimeter