

HWgb 1803

Wine refrigerator

LIEBHERR

Refrigeration and Freezing



home.liebherr.com

HWgb 1803

Energy consumption (kWh / y)	106
Sound rating dB(A)	34
Total capacity cu.ft. (l)	1.6 (46)
Max. No. of Bordeaux bottles (0.75l)	18
Number of shelves	3
Shelves on telescopic rails	2
Self material	Beech wood
Presentation shelf	No
Electronic control	Touch electronic
Temperature range °F (°C)	41 to 68°F (5 to 20°C)
Temperature zones	1
Temperature alarm	Yes
Interior light	LED interior lighting
Door alarm	Yes
Safety thermostat	Yes
Activated charcoal filter	Yes
Door type	Elegant black glass drop-down door with TipOpen Technology
Door hinges	Drop down
SoftSystem	Yes
Door lock	No
Product dimensions	
in inch (H / W / D)	17 11/16 / 21 7/8 / 22 1/6
in cm (H / W / D)	44.8 / 55.5 / 55.9
Cut out dimensions	
in inch (H / W / D)	17 3/4 - 17 13/16 / 22 1/16 - 22 1/2 / 21 11/16
in cm (H / W / D)	45 - 45.2 / 56-57 / 55
Net weight lbs. (kg)	75 (34)
Voltage V / Hz	115/60



Accessories

FreshAir charcoal filter	9882470
Ventilation grill	7420465 9097348

Features

LED

LED lighting is energy efficient, long-lasting, and maintenance-free.

Tip Open

For integration into handleless kitchen furniture, the handleless, full-surface insulated glass door with innovative TipOpen technology is the perfect solution. The glass door opens a few centimetres when tapped. If the door is not opened further after 3 seconds, the SoftSystem closes it again.

Soft System

SoftSystem integrated into the appliance door, cushions the door closure, thus eliminating slamming, even when the shelves are fully loaded.

Telescopic Rails

Telescopic rails a self-closing system for drawers and shelves, ensures easy and convenient handling.

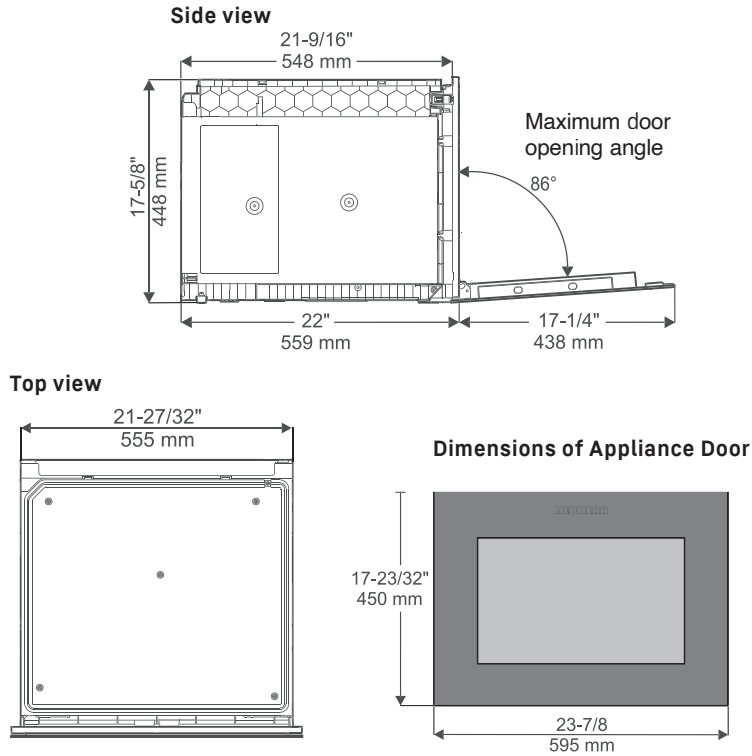
ADA Compliant

ADA compliant, with control panel designed to be accessible within 55" from the floor.

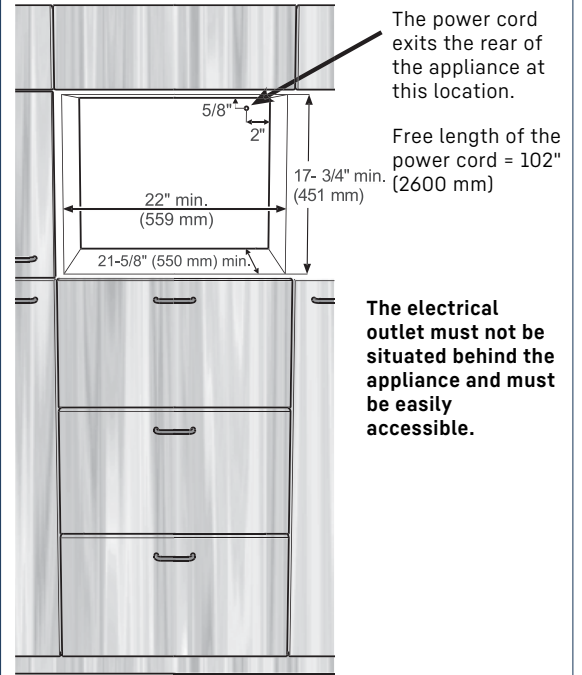
** Noise output - according to EN 60704-3

Diagrams

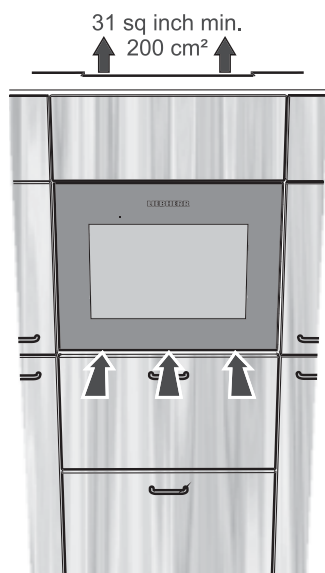
Appliance Dimensions



Cabinet Dimensions

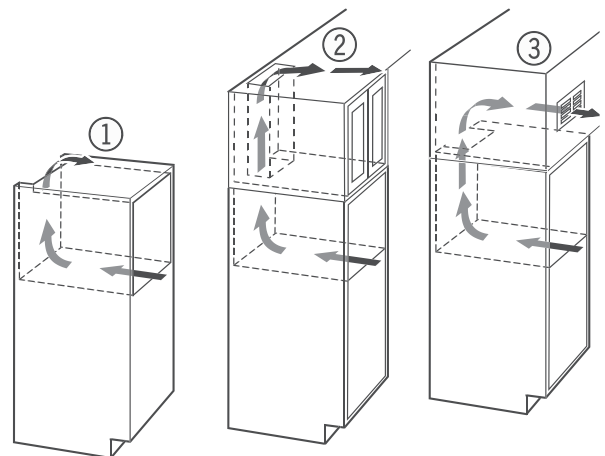


Ventilation



IMPORTANT
The area of ventilation above the unit should be at least 31 square inches (200 cm²). The air supply passes below the appliance door.

- ① Directly above the appliance
- ② Above the top unit
- ③ From the front of the top unit with decor grill



IMPORTANT
When using decor grills, the sum of the individual openings must total a minimum of 31 square inches. A cut-out section of 31 square inches (200 cm²) for installing the ventilation grill is thus not sufficient.