

HW 8000

Wine Refrigerator

LIEBHERR

Refrigeration and Freezing



home.liebherr.com

HW 8000

| | |
|--------------------------------------|---|
| Energy consumption (kWh / y) | 155 |
| Sound rating dB(A) | 36 |
| Total capacity cu.ft. (l) | 9 (254) |
| Max. No. of Bordeaux bottles (0.75l) | 80 |
| Number of shelves | 10 |
| Shelves on telescopic rails | 8 |
| Self material | Beech wood |
| Presentation shelf | Yes |
| Electronic control | Touch electronic |
| Temperature range °F (°C) | 41 to 68°F (5 to 20°C) |
| Temperature zones | 2 |
| Temperature alarm | Yes |
| Interior light | LED interior lighting |
| Door alarm | Yes |
| Safety thermostat | Yes- TempProtect Plus |
| Activated charcoal filter | Yes |
| Door type | Panel ready, glass |
| Door hinges | Right, reversible |
| SoftSystem | Yes |
| Door lock | No |
| Product dimensions | |
| in inch (H / W / D) | 69 11/16 / 21 15/16 / 21 13/16 |
| in cm (H / W / D) | 177 / 55.7 / 55.3 |
| Cut out dimensions | |
| in inch (H / W / D) | 69 13/16-70 1/8 / 22 1/16-22 1/2 / 21 11/16 |
| in cm (H / W / D) | 177.2 -178 / 56-57 / 55 |
| Net weight lbs. (kg) | 200.6 (91) |
| Voltage V / Hz | 115/60 |



Accessories

| | |
|--|--------------------|
| FreshAir charcoal filter | 9882470 |
| Ventilation grill | 7420465 9097348 |
| Stainless steel panel with handle | 9901573 |
| Brushed aluminum square handle | 9901561 |
| Stainless-steel round handle | 9904734 |

Features

LED

LED lighting is energy efficient, long-lasting, and maintenance-free.

Wine

Wine storage cabinets provide similar conditions to wine cellars. A constant temperature prevails throughout the interior in these appliances. It can be set to between 41° to 68° F (5° to 20°C) as required. Wine storage cabinets are ideal for the long-term storage and maturing of wines.

Soft System

SoftSystem integrated into the appliance door, cushions the door closure, thus eliminating slamming, even when the shelves are fully loaded.

Telescopic Rails

Telescopic rails a self-closing system for drawers and shelves, ensures easy and convenient handling.

ADA Compliant

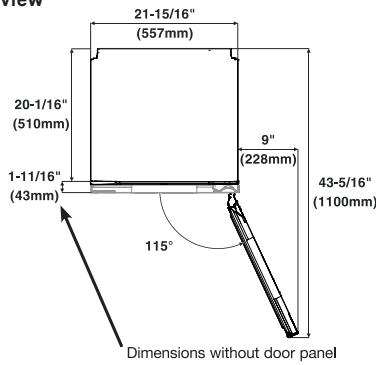
ADA compliant, with control panel designed to be accessible within 55" from the floor.

** Noise output – according to EN 60704-3

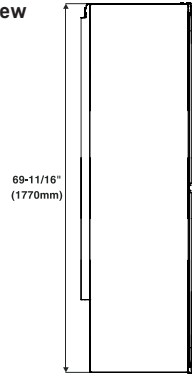
Diagrams

Product Dimensions

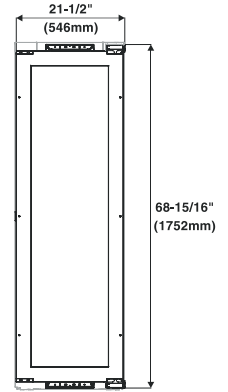
Top view



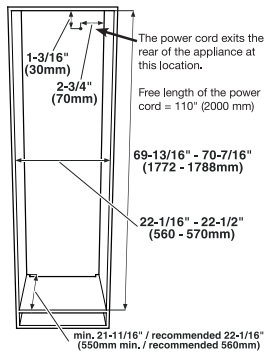
Side view



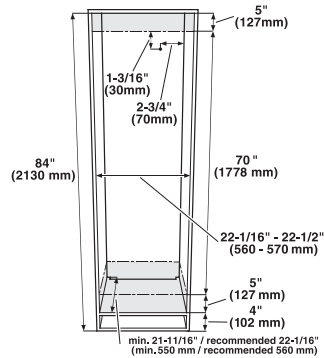
Dimensions of Appliance Door



Cabinet Dimensions

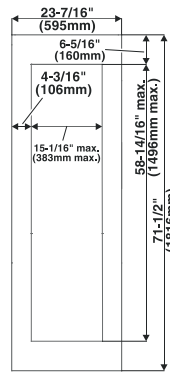


This unit can be installed in a 84" niche installation by raising the cabinet 10 inches above the toe kick, 5" below the unit and 5" on top as shown on the image below:

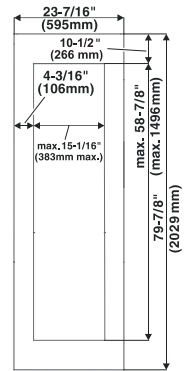


IMPORTANT: The electrical outlet must not be situated behind the appliance and must be easily accessible.

Custom Panel Dimensions

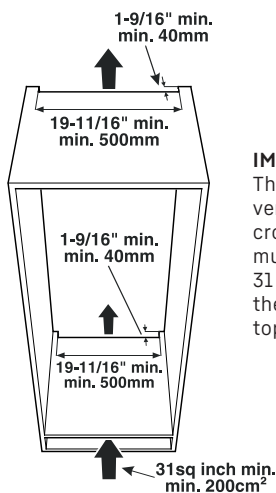


This unit can be installed in a 84" niche installation by raising the cabinet 10 inches above the toe kick, 5" below the unit and 5" on top as shown on the image below:



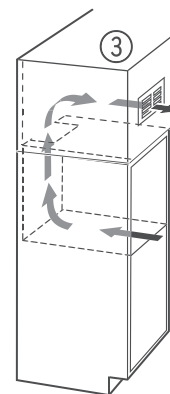
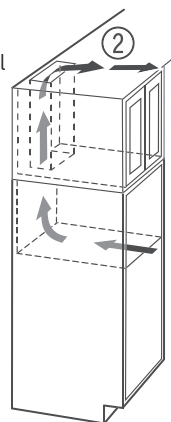
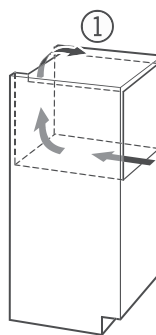
Maximum weight of the custom panel door is 44 lbs (20kg). The door should be at least 5/8 in. (16 mm) thick to allow the connecting rails to be fastened to it. The maximum thickness of the door panel can be 3/4 in. (19mm).

Ventilation Requirements



IMPORTANT: The clear ventilation cross section must be at least 31 sq inches from the lower to the top opening.

- ① Directly above the appliance
- ② Above the top unit
- ③ From the front of the top unit with decor grill



IMPORTANT When using decor grills, the sum of the individual openings must total a minimum of 31 square inches. A cut-out section of 31 square inches (200 cm²) for installing the ventilation grill is thus not sufficient.