

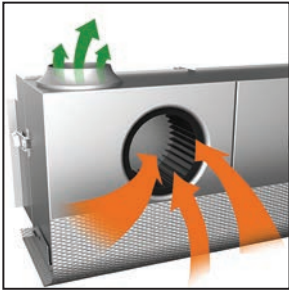
STANDARD FEATURES



CANOPY HOODS

- Unique CircuFlow Ventilation System™ with centrifugal blower design prevents grease and contaminants from collecting in ductwork for safe operation.
- Appropriate CFM specifications to perfectly match any Hestan cooking product for optimized fume and grease extraction.
- Baffle-less, variable speed blower CircuFlow Ventilation System™ collects 70% more grease than most competing models.

CircuFlow Ventilation System™



- Ultra-quiet CircuFlow Ventilation System™ provides best-in-class air flow and extraction efficiency.
- Removable blower components are dishwasher-safe for easy cleaning.
- Optimized low-temp LED lighting for optimum illumination.
- Blower speed automatically increases when higher temperatures are detected and when full blower power is not needed the blower speed automatically lowers for even quieter operation.

Removable Blower Housing



- Marquise Accented™ front face profile compliments design integrity.
- Available in 30", 36", 42", 48", 54" widths.

LED lighting



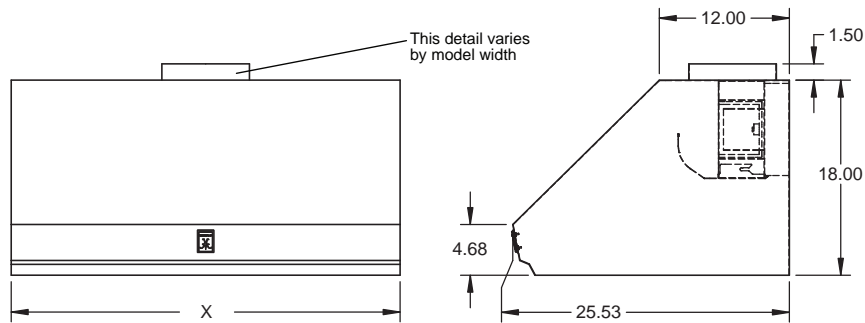
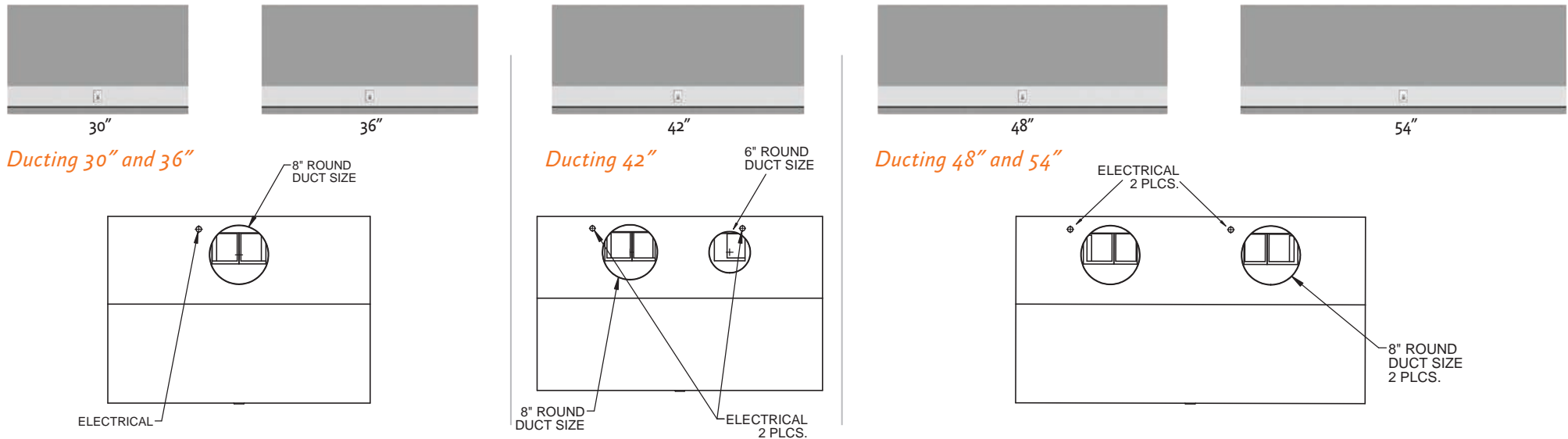
12 Color Options



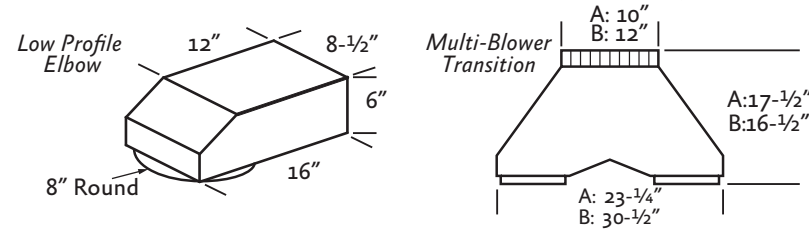
OPTIONS & ACCESSORIES

- Available in Twelve (12) Hestan signature color finishes.
- Duct Covers in (12) colors.

NOTE : SEE INSTALLATION MANUAL FOR MORE DETAILS



Vent Accessories - Refer to manual for vent accessories and options for your particular install



MODEL	DESCRIPTION
AKVBE8	8" Round to 6" x 8-1/2" Rect.

ITEM	MODEL	DESCRIPTION
A	AKVT6810	6" & 8" to 10"
B	AKVT8812	8" & 8" to 12"



ALL Models	Description	Width Dimensions		CFM SP@0.0"	Equivalent CFM**	Duct Sizes Needed	Volts	Amps	Hz	RPM	Sones	# Lights	Approx SHP WT (lbs)
		X (in.)											
KVP30	30" Pro Canopy	29.88		600	900	8"	115	4.0	60	1150	6.5	2	58
KVP36	36" Pro Canopy	35.88		600	900	8"	115	4.0	60	1550	6.5	2	77
KVP42	42" Pro Canopy	41.88		900	1350	10"	115	6.0	60	1550	6.3	3	95
KVP48	48" Pro Canopy	47.88		1200	1800	12"	115	7.5	60	1550	6.6	3	108
KVP54	54" Pro Canopy	53.88		1200	1800	12"	115	7.5	60	1550	6.6	4	113

**When comparing the Hestan system with blower units made by other manufacturers, use the "Equivalent CFM"

Hestan Indoor products are approved for indoor use only. Hestan Commercial Corporation reserves the right to change materials and specifications without notice.