

STANDARD FEATURES



CANOPY HOODS

- Unique CircuFlow Ventilation System™ with centrifugal blower design prevents grease and contaminants from collecting in duct work for safe operation.
- Appropriate CFM specifications to perfectly match any Hestan cooking product for optimized fume and grease extraction.
- Baffle-less, variable speed blower CircuFlow Ventilation System™ collects 70% more grease than most competing models.

CircuFlow Ventilation System™



- Ultra-quiet CircuFlow Ventilation System™ provides best-in-class air flow and extraction efficiency.
- Removable blower components are dishwasher-safe for easy cleaning.
- Optimized low-temp LED lighting for optimum illumination.
- Blower speed automatically increases when higher temperatures are detected and when full blower power is not needed the blower speed automatically lowers for even quieter operation.

Removable blower Housing



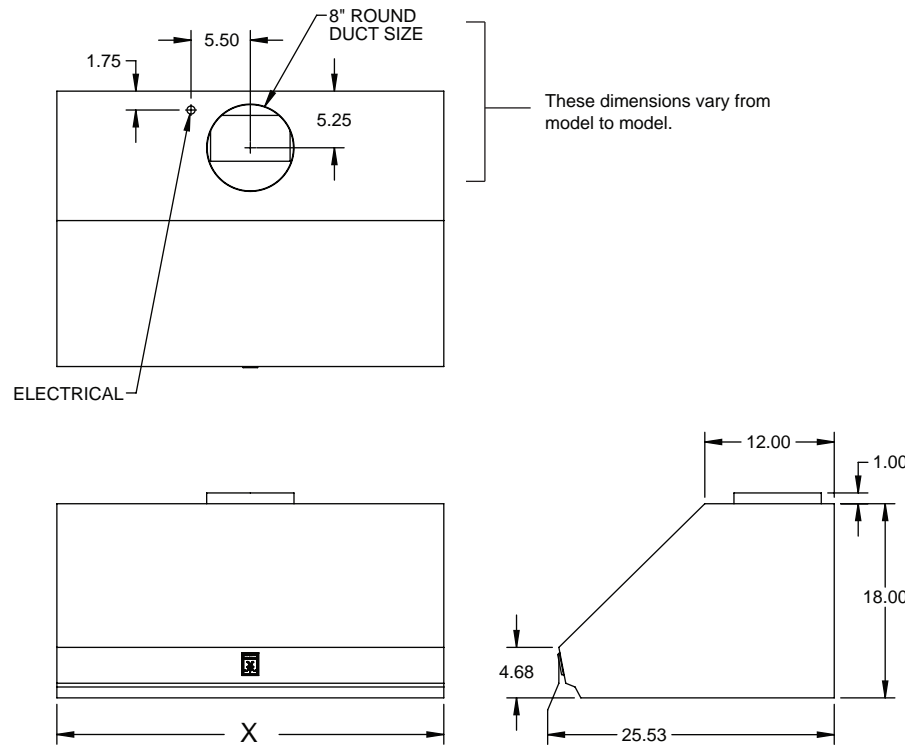
- Marquise™ accented front face profile compliments design integrity.
- Canopy Widths (30", 36", 42", 48", 54")

LED lighting



OPTIONS & ACCESSORIES

- Available in Twelve (12) Hestan signature color finishes
- Duct Covers in (12) colors



Hestan Indoor products are approved for indoor use only. Hestan Commercial Corporation reserves the right to change materials and specifications without notice.



ALL Models	Description	Width Dimensions		CFM	Volts	Amps	Hz	RPM	Sones	# Lights	Approx SHP WT (lbs)
		X (in.)									
KVP30	30" Pro Canopy	29.88		600	115	4.0	60	1150	6.5	2	41
KVP36	36" Pro Canopy	35.88		600	115	4.0	60	1550	6.5	2	51
KVP42	42" Pro Canopy	41.88		900	115	6.0	60	1550	6.3	3	62
KVP48	48" Pro Canopy	47.88		1200	115	7.5	60	1550	6.6	3	72
KVP54	54" Pro Canopy	53.88		1200	115	7.5	60	1550	6.6	4	83