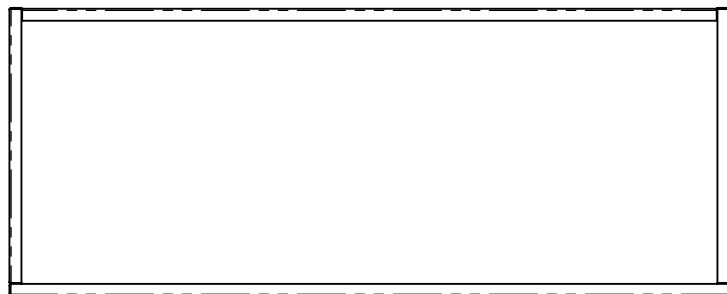
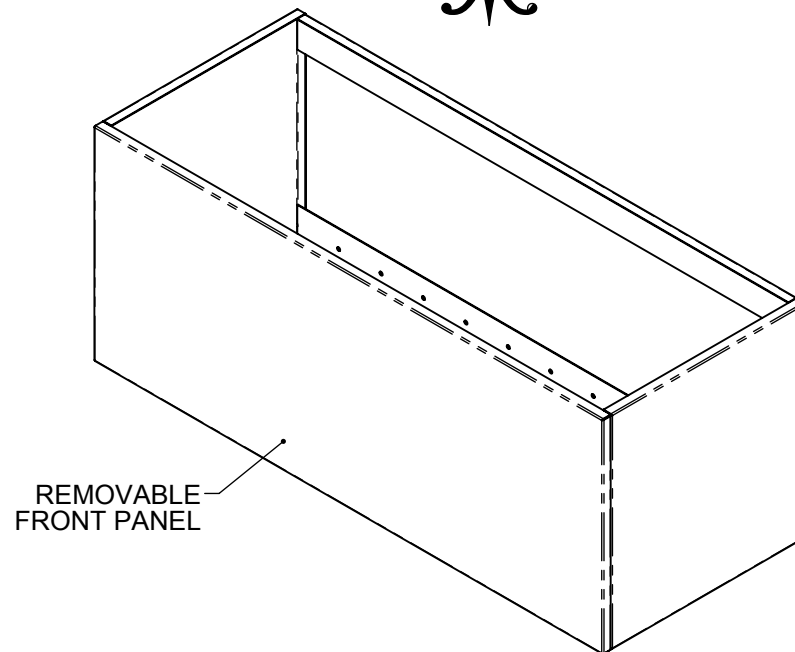


KVDC3012: DUCT COVER, VENTILATION, 30W X 12H



TOP VIEW



REMOVABLE FRONT PANEL

