



INDOOR COOKING

Rangetop
KRT

Use & Care Manual

 HESTAN

WARNING

IF THE INFORMATION IN THIS MANUAL IS NOT FOLLOWED EXACTLY, A FIRE OR EXPLOSION MAY RESULT CAUSING PROPERTY DAMAGE, PERSONAL INJURY, OR DEATH.

Do not store or use gasoline or other flammable vapors and liquids in the vicinity of this or any other appliance.

WHAT TO DO IF YOU SMELL GAS:

1. Do not try and light any appliance.
2. Do not touch any electrical switch.
3. Do not use any phone in your building.
4. Immediately call your gas supplier from a neighbor's phone. Follow the gas supplier's instructions.
5. If you cannot reach your gas supplier, call the fire department.

Installation and service must be performed by a qualified installer, service agency, or the gas supplier.

READ THESE INSTRUCTIONS CAREFULLY AND COMPLETELY BEFORE INSTALLING OR USING YOUR APPLIANCE TO REDUCE THE RISK OF FIRE, BURN HAZARD, OR OTHER INJURY. KEEP THIS MANUAL FOR FUTURE REFERENCE.

SAFETY DEFINITIONS

WARNING

THIS INDICATES THAT DEATH OR SERIOUS INJURY MAY OCCUR AS A RESULT OF NOT OBSERVING THIS WARNING.

CAUTION

THIS INDICATES THAT MINOR OR MODERATE INJURY MAY OCCUR AS A RESULT OF NOT OBSERVING THIS WARNING.

NOTICE

THIS INDICATES THAT DAMAGE TO THE APPLIANCE OR PROPERTY MAY OCCUR AS A RESULT OF NOT OBSERVING THIS WARNING.

INSTALLER: LEAVE THIS MANUAL WITH THE OWNER OF THE APPLIANCE.
HOMEOWNER: RETAIN THIS MANUAL FOR FUTURE REFERENCE.

Message from Hestan:

Hestan's award-winning culinary innovations and purpose-built features reinvented the restaurant kitchen and redefined culinary experience in some of America's most acclaimed restaurants. Hestan now takes this performance from the back of the house and puts it front and center in yours. Thoughtfully designed and meticulously built, Hestan will serve you beautifully for years to come.

Hestan is the only residential brand born from the dreams and demands of professional chefs. From ranges to refrigeration, every detail is designed to deliver the performance and reliability expected in a restaurant – now available for you.

We appreciate you choosing Hestan, and we promise to deliver the very best to you.

Welcome to Hestan.



TABLE OF CONTENTS

3	SAFETY PRECAUTIONS - BEFORE YOU BEGIN
8	MODEL NUMBERS
9	RATING LABEL
9	REGULATORY / CODE REQUIREMENTS
10	GETTING STARTED WITH YOUR APPLIANCE
14	USING THE RANGETOP
16	USING THE GRIDDLE <i>(SOME MODELS)</i>
17	CARE & MAINTENANCE
19	TROUBLESHOOTING GUIDE
20	PARTS LIST
20	SERVICE
20	LIMITED WARRANTY

EN

SAFETY PRECAUTIONS - BEFORE YOU BEGIN

When properly cared for, your Hestan appliance will provide safe, reliable service for many years. When using this appliance, basic safety practices must be followed as outlined below.

INSTALLER: Please leave these Installation Instructions with the owner.

OWNER: Please retain these Installation Instructions for future reference.

This rangetop is designed for residential use only. It is NOT designed for installation in manufactured (mobile) homes or recreational park trailers. Do NOT install this rangetop outdoors.

WARNING

ELECTRICAL SHOCK HAZARD

Disconnect power before installing or servicing appliance. Before turning power ON, be sure all controls are in the OFF position. Failure to do so can result in electrical shock or death.

ELECTRICAL GROUNDING

This appliance must be grounded. Grounding reduces the risk of electric shock in the event of a short circuit. Read the ELECTRICAL CONNECTIONS section of the Installation Manual for complete instructions.

This appliance is equipped with a 3-prong grounding plug for your protection against shock hazard and should be directly plugged into a properly grounded receptacle. Do not cut or remove the grounding prong from this plug.

ELECTRICAL SUPPLY

This appliance must be on its own dedicated circuit, 120 VAC, Single Phase, 60 Hz, with a current rating of 15 Amps. Have the installer show you where the electric circuit breaker is located so you know how to shut off the power to this appliance. It is the responsibility of the user to have the appliance connected by a licensed electrician in accordance with all local codes, or in the absence of local codes, in accordance with the National Electrical Code. Read the ELECTRICAL CONNECTIONS section of the Installation Manual for complete details.



SAFETY PRECAUTIONS - BEFORE YOU BEGIN (CONTINUED)

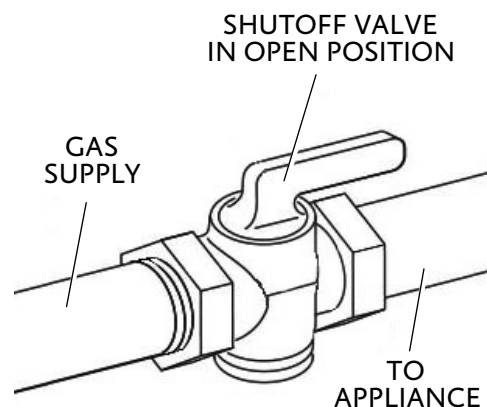
GAS SUPPLY

A gas shut-off valve must be located in an easily accessible location for servicing of the rangetop. Make sure all users of the rangetop know where this shut-off is located, and how to shut off the gas.

The type of gas should be verified prior to installation and operation of this appliance. It is the responsibility of the user to have the appliance connected by a licensed plumber in accordance with all local codes, or in the absence of local codes, in accordance with the National Fuel Gas Code.

When connecting to LP gas, verify the tank is equipped with its own high pressure regulator. The pressure of the gas supplied to the appliance must be 11-14 inch WC [2.74-3.48 kPa]. Consult the Installation Manual for details on gas type, gas pressure, connection and leak testing instructions, etc.

Read the GAS CONNECTIONS section of the Installation Manual for complete details.



CONVERSION KITS

In the event your Hestan appliance needs to be converted from NG to LP, or vice-versa, you will need to contact Hestan Customer Service to arrange a service call. This conversion should only be performed by a qualified technician.

HIGH ALTITUDE KITS

If you live in a high altitude area, 2,000 ft. [610 m] or more above sea level, your appliance may require different orifices for proper combustion and performance. You will need to contact Hestan Customer Service to arrange a service call. High Altitude kits must be installed by a qualified technician. Please have your model and serial number information ready when you call.

BACKGUARD

Your Hestan rangetop is supplied at the factory with an Island Trim backguard. See Table 1 in the APPENDIX section of the Installation Manual for other backguard options available from your Hestan dealer, or visit www.hestanhome.com. Selection of the appropriate backguard depends on the installation location and adjacent materials, and the type of vent hood to be used. Installation instructions are included with the backguard kit. A LOW OR TALL BACKGUARD IS REQUIRED WHEN INSTALLING THE RANGETOP AGAINST A COMBUSTIBLE SURFACE - THE ISLAND TRIM IS NOT SUITABLE.

▲ CAUTION

The top of the backguard serves as an exhaust vent to remove heat from under the rangetop. DO NOT BLOCK or obstruct the top of the backguard. DO NOT touch the top of the backguard during appliance operation as it may get hot. Allow sufficient time to cool before touching or cleaning this area. DO NOT position plastic or other heat-sensitive items nearby which could melt or burn.

VENTILATION REQUIREMENTS

A vent hood is REQUIRED above this appliance. It is strongly recommended that this appliance be installed with a Hestan vent hood. Hestan vent hoods have been matched up to the BTU output of the rangetop. Due to the high heat output of this rangetop, it is very important that the hood and ductwork installation meets local building codes and is installed by a qualified technician.

Do not use a down-draft style ventilation system.

Do not mount a microwave oven/ventilator combination above the rangetop. These types of units do not have sufficient airflow to remove the high heat output of this rangetop and were not tested with this type of appliance.

Consult the Installation Manual for further details.

SAFETY PRECAUTIONS - BEFORE YOU BEGIN *(CONTINUED)*

CONSULT WITH YOUR HESTAN DEALER ON SELECTING THE APPROPRIATE VENT HOOD FOR YOUR HESTAN APPLIANCE.

▲WARNING

IN CASE OF POWER OUTAGE

All the control knobs must be in the OFF position to prevent unintended operation at power up.

DO NOT ATTEMPT TO USE THE RANGETOP DURING A PROLONGED POWER FAILURE.

Although the top burners can be manually lit, they should be used ONLY WHILE BEING ATTENDED BY THE USER. On low burner settings, if the flame were to go out, a dangerous accumulation of gas could result in an explosion.

The griddle can not be used during a power outage.

▲CAUTION

CHILD SAFETY

IT IS THE RESPONSIBILITY OF THE PARENTS OR GUARDIANS TO ENSURE CHILDREN ARE INSTRUCTED IN THE SAFE USE OF THIS APPLIANCE. Do not allow children to use this appliance without adult supervision. Do not allow children to play in or around the appliance, even when not in use. Items of interest to children should not be stored in or on the appliance, in cabinets above, or on the backguard of the appliance. Children climbing on the appliance could be seriously injured.

▲WARNING

BURN HAZARD - All parts of the rangetop can get very hot during operation. Do not let children touch the appliance while in operation. Failure to observe these instructions may result in severe burns or injury.

TECHNICAL SAFETY

Installation and service on this appliance must be performed by a qualified appliance installer, or a Hestan authorized service technician. Do not repair or replace any part of the appliance unless specifically instructed to do so. Defective parts must only be replaced with genuine Hestan parts. Contact Hestan Customer Service for inquiries or to arrange a service call.

The appliance must be disconnected from the power and gas supply during any service or maintenance work.

USER SAFETY

▲WARNING

BURN HAZARD - All parts of the rangetop can get very hot during operation. Do not touch the appliance while in operation. Failure to observe these instructions may result in severe burns or injury. Use pot holders / gloves to protect yourself when moving hot pots & pans.

During or after cooking, allow sufficient time for all surfaces to cool.

Use only dry or heat-resistant pot holders / gloves. Using moist or damp potholders can result in steam burns. Do not substitute dish towels or similar items for potholders. These items could come in contact with hot surfaces and ignite.

Avoid wearing loose-fitting garments or long sleeves while cooking. They could ignite. For personal safety, wear proper apparel while using the appliance. Some synthetic fabrics are highly flammable and should not be worn while cooking.

SAFETY PRECAUTIONS - BEFORE YOU BEGIN *(CONTINUED)*

▲WARNING

For safety considerations, NEVER use this appliance as a space heater to heat or warm the room. Doing so may result in carbon monoxide poisoning and overheating of the appliance.

▲WARNING

Aluminum foil linings may trap heat, causing a fire hazard. Do not use aluminum foil to line the surface burners. Doing so may result in a risk of electric shock, or fire.

Do not allow anyone to climb, stand, step on, lean against, or sit on any part of the appliance. This may result in damage to the appliance, or personal injury.

FIRE SAFETY

To reduce the risk of a fire, do not leave surface burners unattended at high settings. Boil-overs could smother the flames and igniter, which would allow un-burned gas to escape into the room, which could result in an explosion.

Always turn on the ventilation hood when cooking. Clean vent hood grease filters frequently - grease should not be allowed to accumulate on the fan or filters.

Use the appropriate pan size for the burner being used. For safety considerations, adjust the flame size so they do not travel up the sides of the pan.

Keep the appliance area clear and free from combustible materials, gasoline, and other flammable vapors and liquids. NEVER store flammable liquids and materials in, above, or on the rangetop, or near cooking surfaces. Do not obstruct the flow of combustion and ventilation air of the appliance.

ALWAYS have a working smoke detector near the kitchen.

ALWAYS have an appropriate dry-chemical fire extinguisher nearby. Smother fire or flames using the lid of the utensil (pot or pan), a cookie sheet or metal tray. Then shut off the burner. Use an extinguisher, or baking soda if the fire is small and relatively contained. DO NOT USE WATER ON A GREASE FIRE. Doing so may result in spreading the fire elsewhere.

NEVER pick up a flaming pan. You may spill the grease on yourself and be severely burned.

If accessible, turn off the ventilation hood during a fire, but do not reach through the flames to do this.

In the event of personal clothing or hair catching fire, drop and roll immediately to smother the flames. Seek medical attention if necessary.

Do not hang articles from any part of the appliance or place anything against the front of the appliance. Some fabrics are highly flammable and could ignite.

IF THE FLAMES DO NOT GO OUT - EVACUATE AND CALL THE FIRE DEPARTMENT.

SAFETY DURING CLEANING

Only clean the appliance as directed in the CLEANING & MAINTENANCE section of this manual.

Do not use a steam cleaner on any part of the rangetop. Steam could penetrate into electrical components and cause a short circuit and/or shock hazard.

Do not use abrasive cleaners, hard objects such as brushes or scrapers, or sharp metal tools to clean.

Do not pour cold water onto hot surfaces of the appliance. The steam could cause serious burns. The sudden temperature change could also distort the metal surfaces resulting in permanent damage.

Use only a small toothbrush to clean the burner ports and igniter of the surface burners. Do not insert sharp objects or scratch the burner ports.

Wait until the appliance is completely cool before using any aerosol-type cleaners. Many of these cleaners use flammable propellants which could ignite in the presence of heat.

SAFETY PRECAUTIONS - BEFORE YOU BEGIN *(CONTINUED)*

PROPER USAGE

Do not heat unopened containers (cans) on the rangetop. Pressure may build up causing the container to explode, resulting in damage to the appliance, or personal injury.

Only certain types of glass, heatproof glass-ceramic, earthenware, or other glazed utensils are suitable for use on the surface burners. However, these types of materials may break with sudden temperature changes. Use only on low or medium heat settings, and according to their manufacturers' directions.

Bakeware, such as large casserole pans, cookie sheets, etc. should not be used on the surface burners. Large griddle plates that span across 2 burners should be used with care and on medium to low flame settings to avoid a build-up of heat which could distort the grates or the burner bowl.

Always position the handles of pots and pans so they do not extend over adjacent work areas or over the edge of the rangetop. This is to avoid knocking over hot contents which could burn you, or result in a fire.

Do not use pots or pans on the griddle (if equipped).

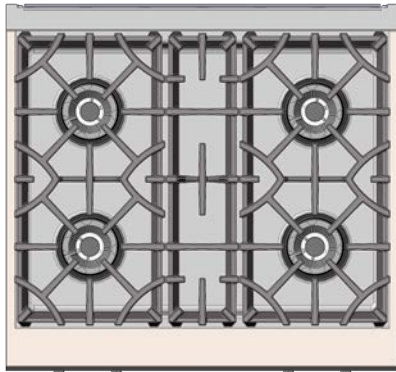
EN

MODEL NUMBERS

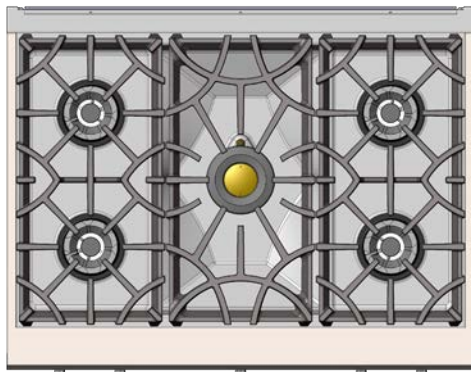
RANGETOP MODELS

EN

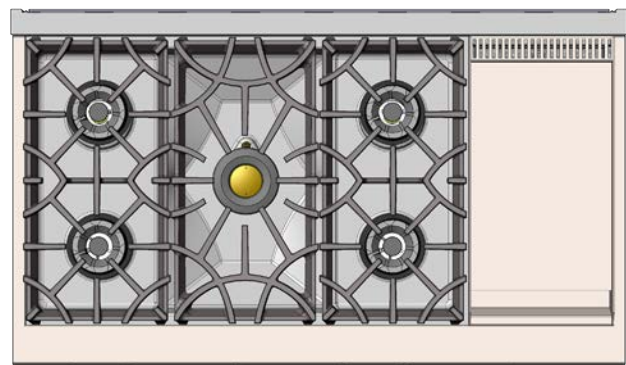
MODEL NO.	DESCRIPTION	CIRCUIT BREAKER REQUIRED
KRT304-NG / -LP	30" RANGETOP WITH 4 BURNERS	15 Amp
KRT365-NG / -LP	36" RANGETOP WITH 5 BURNERS	15 Amp
KRT364GD-NG / -LP	36" RANGETOP WITH 4 BURNERS & GRIDDLE	15 Amp
KRT485GD-NG / -LP	48" RANGETOP WITH 5 BURNERS & 12" GRIDDLE	15 Amp
KRT484GD-NG / -LP	48" RANGETOP WITH 4 BURNERS & 24" GRIDDLE	15 Amp



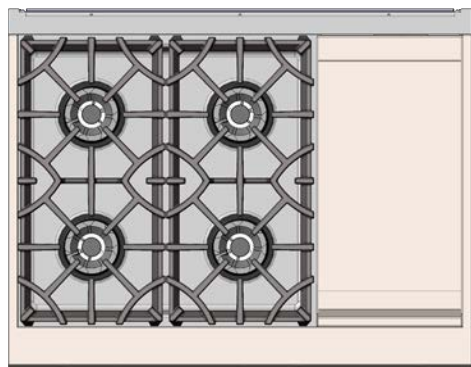
KRT304



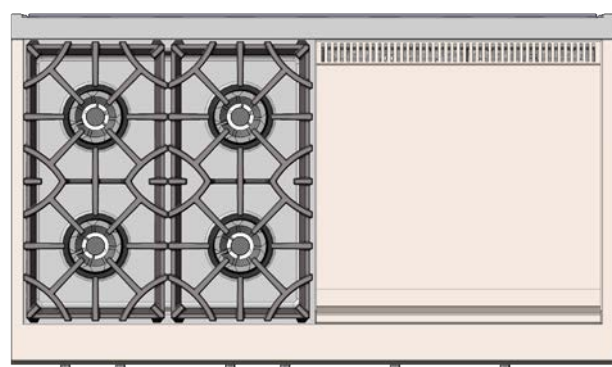
KRT365



KRT485GD



KRT364GD



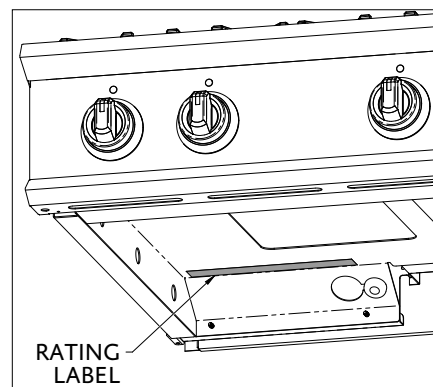
KRT484GD

RATING LABEL

The rating label contains important information about your Hestan appliance such as the model and serial number, gas type and manifold pressure, electrical rating, the BTU rating for each burner type, and the minimum installation clearances.

The rating label is located underneath the unit.

If service is necessary, contact Hestan Customer Care with the model and serial number information shown on the label.



HESTAN COMMERCIAL CORP. ANAHEIM, CA - USA		MODEL / MODELE		SER. NO. / NO. SER.		PATENTED: http://www.hestanhome.com/patents.pdf		
VOLTS	GAS TYPE (TYPE DE GAZ)	BURNER RATINGS (BTU/HOUR)				MIN. CLEARANCES / DÉGAGEMENTS		CONFORME TO ANSI STD Z21.1-2016 - CSA 1.1-2016 HOUSEHOLD COOKING GAS APPLIANCE CONFORME À LA NORME ANSI Z21.1-2016 - CSA 1.1-2016 APPAREIL ELECTROMÉNAGER DE CUISSON AU GAZ
Hz	OUTLET PRESSURE (PRESS. SORTIE)	FRONT BURNER (BRÛLEUR AVANT)	CENTER BURNER (BRÛLEUR CENTRE)	REAR BURNER (BRÛLEUR ARRIÈRE)	GRIDDLE (PLAQUE CHAUFFANT)	COMBUSTIBLE	NON-COMBUSTIBLE	
PHASE	INCH W.C. (MPa)					BACK CLEARANCE	0"	
AMPS						SIDE CLEARANCE	0"	

REGULATORY / CODE REQUIREMENTS

Installation of this cooking appliance must be made in accordance with local codes. In the absence of local codes, this unit should be installed in accordance with the National Fuel Gas Code *ANSI Z223.1/NFPA 54*, Natural Gas and Propane Installation code *CSA B149.1*, or Propane Storage and Handling Code *B149.2*.

All Electrical Components must be electrically grounded in accordance with local codes or in the absence of local codes with the National Electrical Code *ANSI/NFPA 70*, or Canadian Electrical code *CSA C22.1*.

STATE OF MASSACHUSETTS

Massachusetts requires all gas be installed using a plumber or gas fitter carrying the appropriate Massachusetts license. All permanently installed natural gas or propane installations require a T-handle type manual gas valve be installed in the gas supply line to this appliance. Flexible gas connector must not be longer than 36" [91.4 cm].

CALIFORNIA PROPOSITION 65 - WARNING



WARNING This product can expose you to chemicals including carbon monoxide, which is known to the State of California to cause birth defects or other reproductive harm.

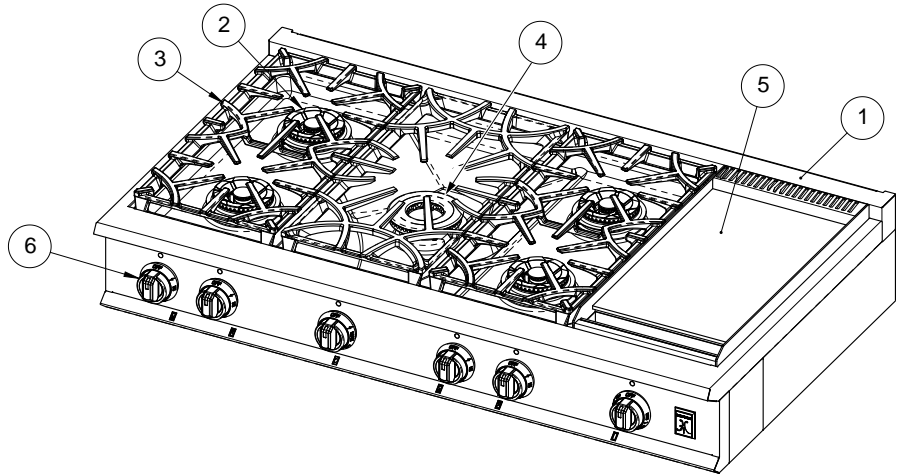
For more information, go to www.P65Warnings.ca.gov.

GETTING STARTED WITH YOUR APPLIANCE

COMPONENT IDENTIFICATION

Use the images below to familiarize yourself with the various parts of the rangetop.

1. Island Trim Backguard (included)*
2. Sealed Dual-flow Burner
3. Burner Grate
4. Sealed Single-flow Burner (certain models)
5. Griddle (GD models)
6. Control Knobs

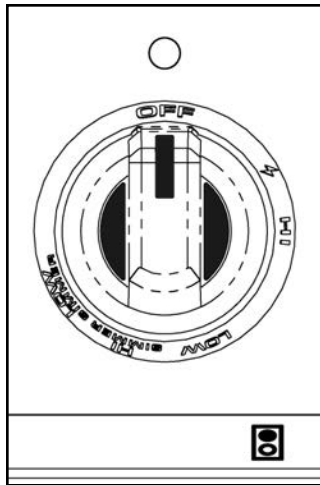


MODEL KRT485GD SHOWN

* Low or Tall Backguard ordered separately.

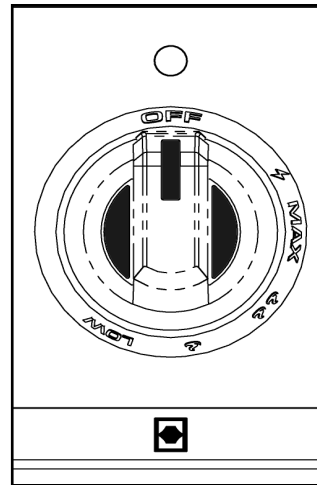
GETTING STARTED WITH YOUR APPLIANCE (CONTINUED)

EN



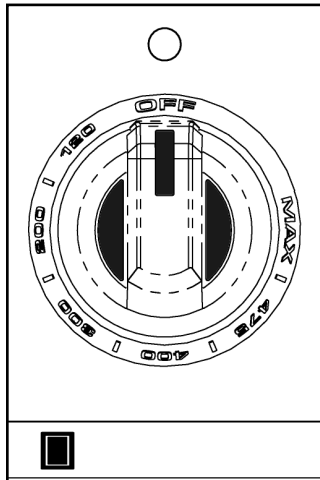
**DUAL-FLOW
BURNER**

ROTATE **LEFT** TO HI TO IGNITE BURNER. ADJUST FLAME AS NEEDED. THERE ARE DETENT POSITIONS AT HI, LOW, AND HI SIMMER FOR EASE OF USE.



**SINGLE-FLOW
BURNER**

ROTATE **LEFT** TO MAX TO IGNITE BURNER. ADJUST FLAME AS NEEDED. THERE IS A DETENT AT THE MAX POSITION ONLY.



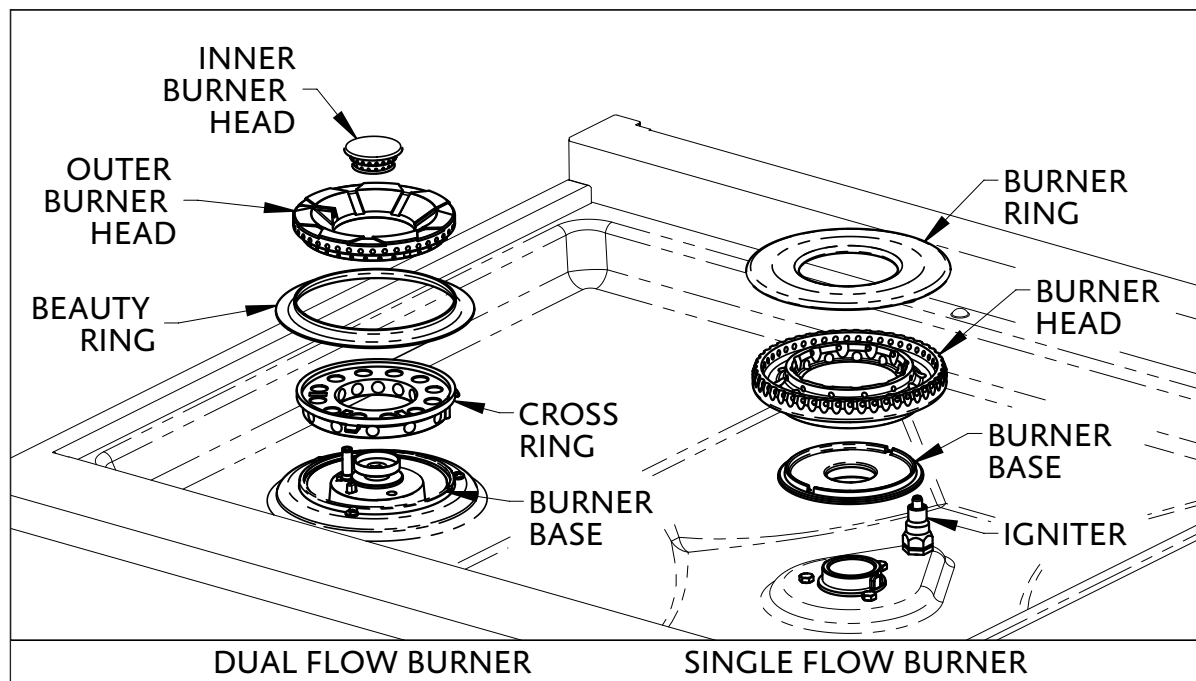
**GRIDDLE
TEMPERATURE**

ROTATE **RIGHT** TO SELECT GRIDDLE TEMPERATURE

GETTING STARTED WITH YOUR APPLIANCE (CONTINUED)

SEALED BURNERS

Ensure the sealed burner heads are properly installed and seated on the burner base as shown below. There are notches on the burner base and cross ring to help with alignment. The outer burner head features a long slot on the top of the head which aligns with the spark igniter. Assembly of the single-flow burner head is similar.



FIRST TIME OPERATION

When using your rangetop for the first time, any manufacturing oils and residues on the grates will be burned off. This may produce a little smoke and some odor. This is normal and is typical of any new appliance when first used. If the smell is strong, remove persons and animals from the kitchen during this period. Open any windows to further vent the odor from the room.

Ensure there are no packaging materials remaining. Remove any labels or plastic film from the outside of the appliance. Install all the cooking grates and griddle plate (if equipped).

BURNER HEADS

If the burner head is not properly positioned, one or more of the following issues may occur:

- Flames too high
- Flames shoot out of the burners
- Burners do not ignite
- Flames are uneven
- Burner emits a gas odor

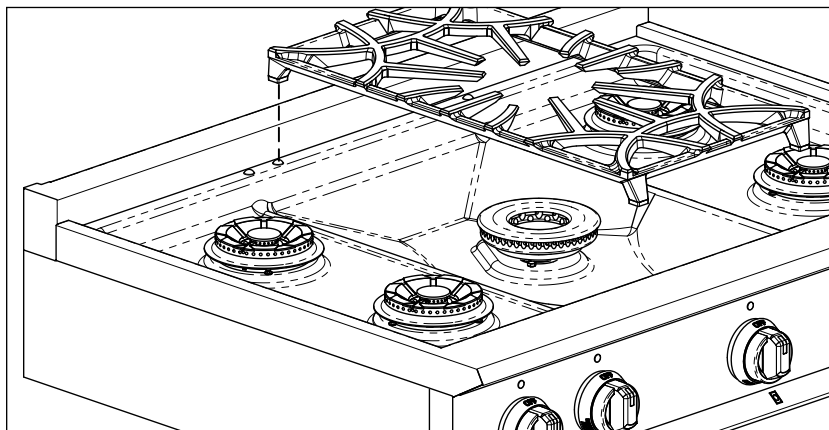
⚠️ WARNING

BURN HAZARD - To prevent burns, do not touch the burner heads or cooking grates when hot. Allow to cool completely. To prevent flare-ups, do not use the burner without all the burner heads in place and properly positioned. Do not use aluminum foil to line the surface burners. Doing so may result in a risk of electric shock, or fire.

GETTING STARTED WITH YOUR APPLIANCE (CONTINUED)

BURNER GRATES

See image for proper placement of the burner grates. There are small round embosses at the front and rear of the burner bowl to help align the grates and keep them in position relative to one-another.



EN

GRIDDLE PLATE

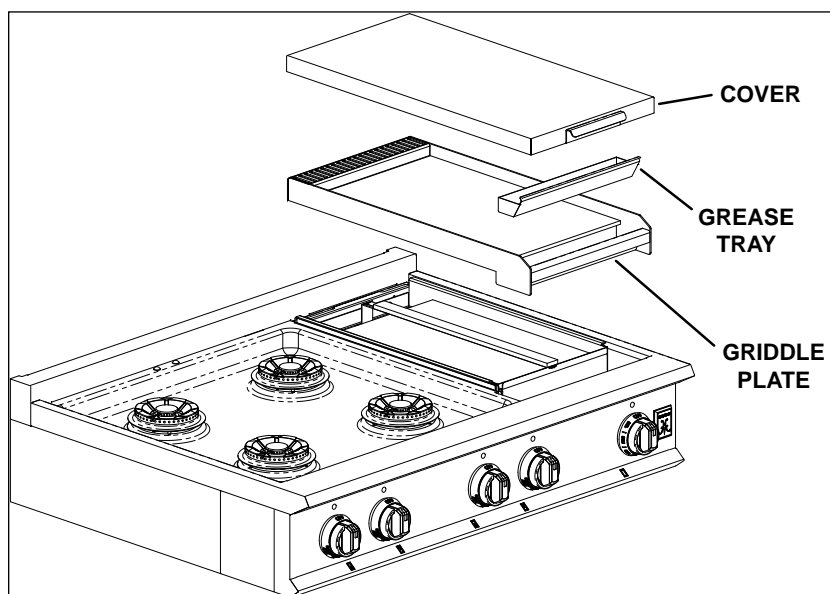
(GD models)

See image for proper placement of the Griddle Plate and Grease Tray.

The plate is made of stainless-steel and requires no seasoning. The grease tray has a non-stick coating for easy cleaning.

▲WARNING

Always remove the cover before cooking on your griddle.



USING THE RANGETOP

BURNER CONTROL KNOBS

Each sealed burner has its own control knob. The symbol below each knob indicates which burner is controlled by each knob. Push and turn LEFT (counter-clockwise) to HI to ignite the flame, then turn to the desired flame setting.

BURNER TYPES & OUTPUT

This table indicates the type and output of each sealed burner. Dual-flow burners have an inner and outer row of ports, with a simmer function. The single-flow burner (some models) is similar to a commercial burner and features very high output, and a low, but no simmer function.

BURNER OUTPUT - NATURAL GAS					
DUAL-FLOW (FRONT)	OUTPUT (BTU/hr)	DUAL-FLOW (REAR)	OUTPUT (BTU/hr)	SINGLE FLOW	OUTPUT (BTU/hr)
HI	23000	HI	15500	MAX	30000
LOW	4200	LOW	4200	LOW	4200
SIMMER HI	1500	SIMMER HI	1500		
SIMMER LOW	500	SIMMER LOW	500		

BURNER OUTPUT - PROPANE					
DUAL-FLOW (FRONT)	OUTPUT (BTU/hr)	DUAL-FLOW (REAR)	OUTPUT (BTU/hr)	SINGLE FLOW	OUTPUT (BTU/hr)
HI	23000	HI	15500	MAX	22000
LOW	4200	LOW	4200	LOW	4200
SIMMER HI	1500	SIMMER HI	1500		
SIMMER LOW	600	SIMMER LOW	600		

RE-IGNITION

Each sealed burner has its own electronic spark-ignition module with flame-sensing technology and automatic re-ignition capability. If any burner should blow out, the igniter automatically re-lights the burner.

Each burner should light in less than 4 seconds. Once lit, the sparking will stop. On very low simmer, an occasional sparking may occur. This is usually due to a breeze in the room. If an igniter continues to spark even with a flame present, there could be an electrical wiring issue, or some other problem. See the TROUBLESHOOTING section of this manual for more information.

WARNING

DO NOT touch the burner or the igniters while sparking is occurring. A shock hazard or burns could occur.

MANUAL LIGHTING / POWER FAILURE

THE GRIDDLE CANNOT BE USED DURING A POWER FAILURE.

Each sealed burner can be manually lit in the event of a power failure. It is necessary to light each burner individually.

If a power failure occurs WHILE you are using the sealed burners, turn all the knobs to the OFF position - then light manually with a match or fireplace lighter.

Position the match or fireplace lighter at the port nearest the igniter, then turn the knob to HI until the flame is lit. Wait until the flame has lit all the way around the burner before adjusting the knob to LOW or SIMMER.

IF YOU SMELL GAS, turn all control knobs to OFF - check the precautions listed in the SAFETY section of this manual.

USING THE RANGETOP (CONTINUED)

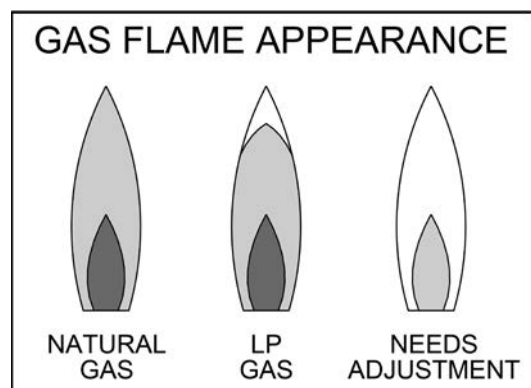
EN

FLAME HEIGHT

Proper flame height depends on the size of the pan being used, and the amount of food or liquid in the pan. In other words, don't use a small pan over a large flame. For safety reasons, control the flame height so that it doesn't go beyond, or curl up the sides of your pot or pan. This behavior results in poor heating of the contents of the pan, burnt food on the sides of the pan, wasted fuel, etc.

Use a low or medium flame on items that heat slowly, such as glass-ceramic pots.

FLAME CHARACTERISTICS



Light blue flame - Natural gas normal flame

Light blue flame with yellow tips - LP gas normal flame

Yellow flame - Needs adjustment

If the flame is mostly or completely yellow, check the position of the burner heads again for proper installation, and/or review the FINAL SETUP section of the installation manual for more details.

COOKWARE RECOMMENDATIONS

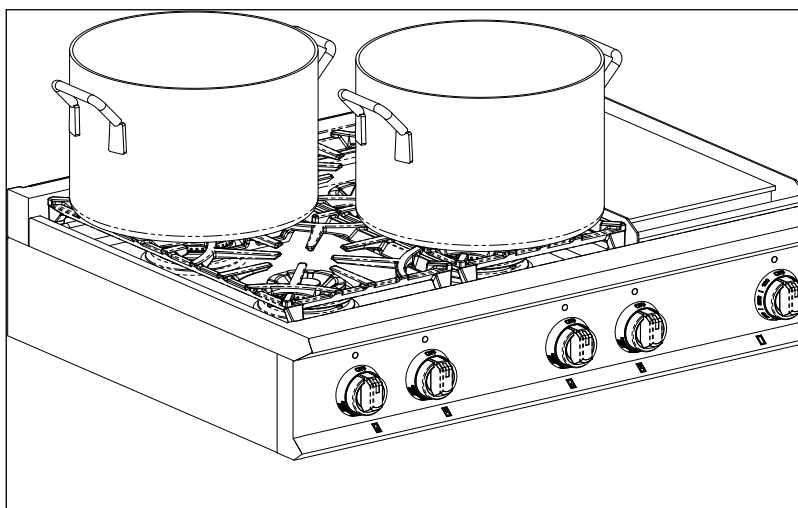
As previously stated in PROPER USAGE on page 7, bakeware such as large casserole pans, cookie sheets, etc. should not be used on the surface burners. Large griddle plates that span across 2 burners should be used with care and on medium to low flame settings to avoid a build-up of heat which could distort the grates or the burner bowl.

Large stock pots should be staggered when used on the rangetop (see below).

Do not cook on aluminum foil or thin, disposable aluminum pans. These can melt.

Never let a pot boil dry. If left too long, the pan could melt, or damage the appliance.

Use only high-quality pans with metal handles. Some plastic handles could melt from the intense heat of the burners.



USING THE GRIDDLE *(SOME MODELS)*

GRIDDLE CONTROL KNOB

The griddle provides a temperature range of 120°F - MAX (approx. 500°F) [49 - 260°C]. Push and turn RIGHT (clockwise) to select the desired temperature for the food you are cooking. A constant orange glow will be seen at the rear vents of the griddle. This is normal.

▲WARNING

To avoid injury DO NOT operate the griddle without the griddle plate and grease tray in place. Always remove the cover before use.

▲CAUTION

The griddle is very hot after use. Allow sufficient time to cool down before cleaning.

DO NOT use metal utensils (pots, pans, etc.) on the griddle plate surface. Be careful not to gouge or cause deep scratches in the griddle plate surface. DO NOT cut directly on the griddle plate.

FIRST TIME OPERATION

Before using your griddle for the first time, the griddle plate and the grease tray should be cleaned with warm, soapy water and thoroughly rinsed and dried. When you first heat the plate, a little smoke and some odor may be present as any remaining manufacturing oils are burned off. The stainless-steel plate will discolor from a straw color, to a very dark brown or black, depending on what foods you cook on the surface.

COOKING ON THE GRIDDLE

When it comes to using the griddle, there are a few things to keep in mind:

- As time goes on and griddle use increases, discoloration of the griddle plate may happen and is normal.
- When emptying the grease tray, be sure to pour the grease into a proper container for grease disposal, not down the drain. Do not scrape with metal utensils.

It will take some practice to get to know how your griddle performs with certain foods. The table below gives a few recommendations on temperatures.

FOOD ITEM	GRIDDLE TEMPERATURE
EGGS	300 - 325°F [149 - 163°C]
PANCAKES, FRENCH TOAST	400 - 425°F [204 - 218°C]
HASH BROWN POTATOES (frozen)	475 - 500°F [246 - 260°C]
CHICKEN BREAST, (BONELESS)	425 - 450°F [218 - 232°C]
BACON, SAUSAGE	450 - 475°F [232 - 246°C]
STEAK, 1" (25mm) THICK	450 - 475°F [232 - 246°C]
HAMBURGER, 6 oz (170 g)	450 - 475°F [232 - 246°C]

CLEANING THE GRIDDLE

Read the CLEANING AND MAINTENANCE section of this manual for complete instructions.

NEVER flood the hot griddle plate with cold water. This can permanently warp the plate.

DO NOT clean any part of the griddle in the Self-Clean Cycle of the oven. Do not put your griddle plate into the dishwasher, as it will damage your appliance.

Wait until the appliance has cooled completely before cleaning.

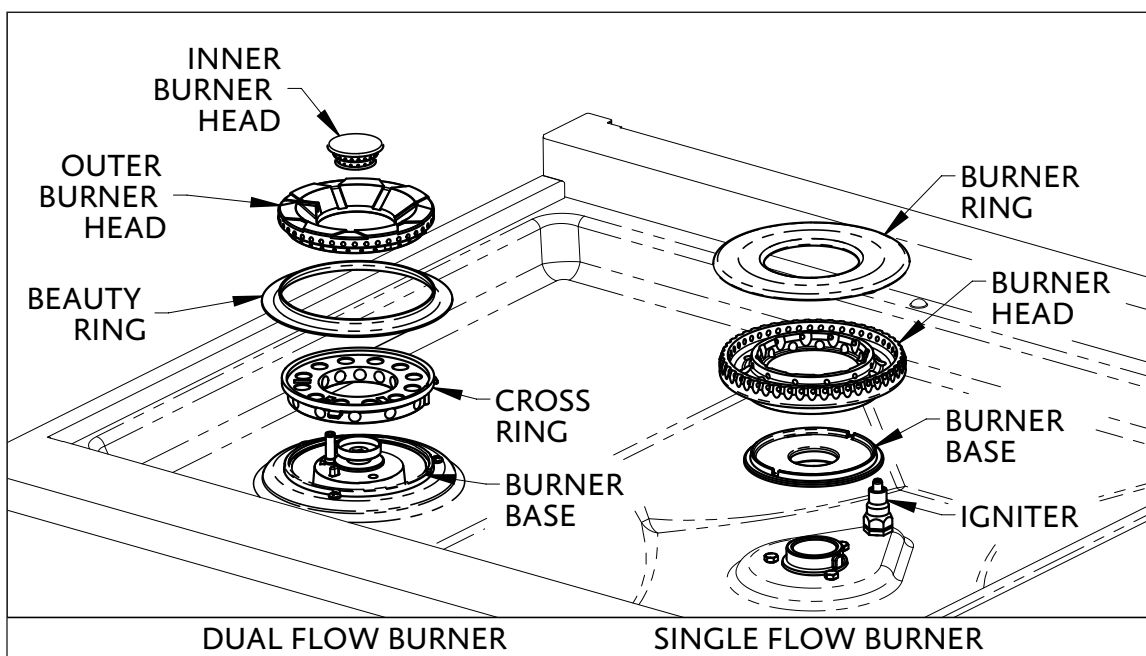
CARE & MAINTENANCE

SEALED BURNERS

▲WARNING

BURN HAZARD - To prevent burns, do not touch the burner heads or cooking grates when hot. Allow to cool completely.

The burners can be disassembled for cleaning. Use only a small toothbrush to clean the burner ports and igniter. **DO NOT** insert sharp objects or scratch the burner ports. After cleaning, ensure the sealed burner heads are properly installed and seated on the burner base as shown below. There are notches on the burner base and cross ring to help with alignment. The outer burner head features a long slot on the top of the head which aligns with the spark igniter. Assembly of the single-flow burner head is similar.



SUGGESTED CLEANERS:

BRASS BURNER / HEADS

Hot water & mild detergent

Bon-Ami®

Kleen King®

CERAMIC IGNITER

Hot water & mild detergent

Fantastik®

CAST IRON COOKING GRATES WITH PORCELAIN ENAMEL

Hot water & mild detergent

Bon-Ami®

Kleen King®

SoftScrub®

Use care when handling the grates. They are heavy and can crack if dropped on the floor or hard surface. **DO NOT** clean the grates in a self-cleaning oven. Do not allow food stains or acidic food spills to remain on the grate surfaces too long. These stains can degrade the enamel. For stubborn stains, use light pressure with an abrasive cleaner. Rinse thoroughly and dry immediately.

CARE & MAINTENANCE (CONTINUED)

GRIDDLE PLATE & GREASE TRAY (if equipped)

WARNING

BURN HAZARD - To prevent burns, do not touch the griddle plate or grease tray when hot. Allow to cool completely.

NEVER flood a hot griddle plate with cold water. The steam could cause serious burns. The sudden temperature change could also distort the metal surfaces resulting in permanent warpage of the plate. DO NOT clean the griddle plate in a self-cleaning oven.

The griddle plate can be removed for cleaning by hand using warm soapy water. For more difficult residues, you can rub coarse salt on the plate, and rinse thoroughly with clean water. The grease tray has a non-stick coating which may be cleaned by hand using warm soapy water, or it may be cleaned in the dishwasher. Do not use sharp objects or scrapers, as this may gouge the surfaces.

EXTERIOR SURFACES

Do not allow food stains or salt to remain in contact with stainless steel surfaces too long. All stainless steel exterior surfaces may be cleaned with warm soapy water, or any number of commercial stainless steel cleaners. Check to make sure the cleaners do not contain chlorine or chlorine compounds as these are corrosive to stainless steel. Rinse thoroughly.

SUGGESTED CLEANERS:

Hot water & mild detergent

Fantastik®

ALWAYS clean stainless steel in the direction of the grain with light pressure.

If your Hestan appliance has colored panels, use warm soapy water ONLY. Rinse and dry thoroughly.

Wait until the appliance is completely cool before using any aerosol-type cleaners. Many of these cleaners use flammable propellants which could ignite in the presence of heat.

TROUBLESHOOTING GUIDE

EN

SYMPTOM	POSSIBLE CAUSE	SOLUTION
Rangetop does not operate (no knob lights, no sparking).	Power cord not plugged in, or no power to receptacle, or breaker tripped.	Check breaker. Call for service for other issues.
Burner will not light.	Gas supply not on / shutoff valve closed. Power cord not plugged in, or no power to receptacle, or breaker tripped. Burner ports near igniter, or igniter itself is obstructed or dirty. Burner head not installed correctly on base. Defective or clogged burner valve. Incorrect orifice or clogged orifice. Igniter defective (not sparking). Low gas pressure to unit. Defective regulator or regulator installed improperly.	Check shutoff valve. Check breaker. Call for service for other issues. Clean burner ports / igniter. Check burner head installation. Call for service.
Burner will not stay lit.	Burner ports obstructed or dirty. Vent plugged on regulator or regulator installed improperly. Low gas pressure.	Clean burner ports / igniter. Call for service.
Burner not working well / lazy or yellow flame.	Burner ports are obstructed or dirty. Poor combustion, air-fuel mixture not adjusted properly. Gas pressure incorrect / incorrect regulator. Orifice sized incorrectly for gas type.	Clean burner ports / igniter. Call for service.
Gas Odor.	Burner went out or did not light. Burner head not installed correctly on base. Burner ports obstructed or dirty. Loose or broken gas line. Ruptured pressure regulator. Poor combustion, air-fuel mixture not adjusted properly.	Relight burner. Check burner head installation. Clean burner ports / igniter. Turn shutoff valve to off position and call for service.

PARTS LIST

Please visit the Hestan website to access the parts list for your Hestan Indoor product:
www.hestanhome.com.

SERVICE

All warranty and non-warranty repairs should be performed by qualified service personnel. To locate an authorized service agent in your area, contact your Hestan dealer, local representative, or Hestan. Before you call, please have the model number and serial number information ready.

Hestan Commercial Corporation
3375 E. La Palma Avenue
Anaheim, CA 92806
(888) 905-7463

LIMITED WARRANTY

WHAT THIS LIMITED WARRANTY COVERS:

Hestan Commercial Corporation (“HCC”) warrants to the original consumer purchaser of a Hestan Indoor Cooking product (the “Product”) from an HCC authorized dealer that the Product is free from defective materials or workmanship for a period of three (3) years from the date of original retail purchase or closing date for new construction, whichever period is longer (“Limited Warranty Period”). HCC agrees to repair or replace, at HCC’s sole option, any part or component of the Product that fails due to defective materials or workmanship during the Limited Warranty Period. This Limited Warranty is not transferable and does not extend to anyone beyond the original consumer purchaser (“Purchaser”). This Limited Warranty is valid only on Products that are (i) purchased and received from an HCC authorized dealer, (ii) delivered after purchase to a consumer, and (iii) continuously thereafter remain located, in the fifty United States, the District of Columbia and Canada. Events that will void this warranty include purchasing or taking delivery in, or moving Products to any location outside of, the fifty United States, the District of Columbia and Canada. This Limited Warranty applies only to Products in non-commercial use and does not extend to Products used in commercial applications.

HOW TO OBTAIN WARRANTY SERVICE:

If the Product fails during the Limited Warranty Period for reasons covered by this Limited Warranty, the Purchaser must immediately contact the dealer from whom the Product was purchased or HCC at 888.905.7463.

Purchaser is responsible for making the Product reasonably accessible for service or for paying the cost to make the Product reasonably accessible for service. Service is to be provided during normal business hours of the authorized Hestan Commercial Service Provider. To the extent Purchaser requests service outside of the normal business hours of the authorized Hestan Commercial Service Provider, Purchaser will pay the difference between regular rates and overtime or premium rates. Purchaser is required to pay all travel costs for travel beyond 50 miles (one way) from the nearest authorized Hestan Commercial Service Provider overtime or premium rates. Purchaser is required to pay all travel costs for travel beyond 50 miles (one way) from the nearest authorized Hestan Commercial Service Provider.

EXTENSIONS TO THREE YEAR LIMITED WARRANTY PERIOD:

In addition to the three-year limited warranty, the following components have extended warranty coverage as specifically set forth below:

LIMITED WARRANTY (CONTINUED)

EN

1. The Product's gas burners (excludes appearance), electric heating elements, blower motors (ventilation hoods), electronic control boards, magnetron tubes and induction generators (where applicable) are warranted to be free from defects in material and workmanship under normal non-commercial use and service for a period of five (5) years of the original Purchaser. This excludes surface corrosion, scratches, and discoloration which may occur during normal use and is limited to replacement of the defective part(s), with the Purchaser paying all other costs, including labor, shipping and handling, as applicable.

WHAT THIS LIMITED WARRANTY DOES NOT COVER:

This Limited Warranty does not cover and HCC will not be responsible for and will not pay for: damage to or defects in any Product not purchased from an HCC authorized dealer; color variations in color finishes or other cosmetic damage; failure or damage from abuse, misuse, accident, fire, natural disaster, commercial use of the Product, or loss of electrical power or gas supply to the Product; damage from alteration, improper installation, or improper operation of the Product; damage from improper or unauthorized repair or replacement of any part or component of the Product; damage from service by someone other than an authorized agent or representative of the Hestan Commercial Service Network; normal wear and tear; damage from exposure of the Product to a corrosive atmosphere containing chlorine, fluorine, or any other damaging chemicals; damage resulting from the failure to provide normal care and maintenance to the Product; damage HCC was not notified of within the Limited Warranty Period; and incidental and consequential damages caused by any defective material or workmanship.

ARBITRATION:

This Limited Warranty is governed by the Federal Arbitration Act. Any dispute between Purchaser and HCC regarding or related to the Product or to this Limited Warranty shall be resolved by binding arbitration only on an individual basis with Purchaser. Arbitration will be conducted by the American Arbitration Association ("AAA") in accordance with its Consumer Arbitration Rules or by JAMS. The arbitration hearing shall be before one arbitrator appointed by the AAA or JAMS. The arbitrator shall not conduct class arbitration and Purchaser shall not bring any claims against HCC in a representative capacity on behalf of others.

LIMITATION OF LIABILITY:

This Limited Warranty is the final, complete and exclusive agreement between HCC and Purchaser regarding the Product.

THERE ARE NO EXPRESS WARRANTIES OTHER THAN THOSE LISTED AND DESCRIBED ABOVE. NO WARRANTIES WHETHER EXPRESS OR IMPLIED, INCLUDING, BUT NOT LIMITED TO, ANY IMPLIED WARRANTIES OF MERCHANTABILITY OR FITNESS FOR A PARTICULAR PURPOSE SHALL APPLY AFTER THE LIMITED WARRANTY PERIOD STATED ABOVE. NO OTHER EXPRESS WARRANTY OR GUARANTY GIVEN BY ANY PERSON, FIRM OR CORPORATION WITH RESPECT TO THIS PRODUCT SHALL BE BINDING ON HCC. HCC ASSUMES NO RESPONSIBILITY THAT THE PRODUCT WILL BE FIT FOR ANY PARTICULAR PURPOSE, EXCEPT AS OTHERWISE PROVIDED BY APPLICABLE LAW. HCC SHALL NOT BE LIABLE FOR LOSS OF REVENUE OR PROFITS, FAILURE TO REALIZE SAVINGS OR OTHER BENEFITS, OR ANY OTHER SPECIAL, INCIDENTAL OR CONSEQUENTIAL DAMAGES CAUSED BY THE USE, MISUSE OR INABILITY TO USE THE PRODUCT, REGARDLESS OF THE LEGAL THEORY ON WHICH THE CLAIM IS BASED, AND EVEN IF HCC HAS BEEN ADVISED OF THE POSSIBILITY OF SUCH DAMAGES. NO RECOVERY OF ANY KIND AGAINST HCC SHALL BE GREATER IN AMOUNT THAN THE PURCHASE PRICE OF THE PRODUCT. WITHOUT LIMITING THE FOREGOING, YOU ASSUME ALL RISK AND LIABILITY FOR LOSS, DAMAGE OR INJURY TO YOU AND YOUR PROPERTY AND TO OTHERS AND THEIR PROPERTY ARISING OUT OF THE USE, MISUSE OR INABILITY TO USE THE PRODUCT NOT CAUSED DIRECTLY BY THE NEGLIGENCE OF HCC. THIS LIMITED WARRANTY STATES YOUR EXCLUSIVE REMEDY.

No oral or written representation or commitment given by anyone, including but not limited to, an employee representative or agent of HCC will create a warranty or in any way increase

LIMITED WARRANTY (CONTINUED)

EN the scope of this express Limited Three Year Warranty. If there is any inconsistency between this Limited Warranty and any other agreement or statement included with or relating to the Product, this Limited Warranty shall govern. If any provision of this Limited Warranty is found invalid or unenforceable, it shall be deemed modified to the minimum extent necessary to make it enforceable and the remainder of the Limited Warranty shall remain valid and enforceable according to its terms.

INTERACTION OF LAWS WITH THIS LIMITED WARRANTY:

Some states, provinces or territories may not allow limitations on how long an implied warranty lasts or the exclusion or limitation of incidental or consequential damages, so the above limitations or exclusions may not apply to you. Some states, provinces or territories may provide for additional warranty rights and remedies, and the provisions contained in this Limited Warranty are not intended to limit, modify, take away from, disclaim or exclude any mandatory warranty requirements provided by states, provinces or territories, including certain implied warranties. This warranty gives you specific legal rights, and you may also have other rights which vary depending on location.

Any questions about this Limited Warranty may be directed to:
Hestan Commercial Corporation at (888) 905-7463

AVERTISSEMENT

LE NON-RESPECT À LA LETTRE DE CES INSTRUCTIONS PEUT CAUSER UN INCENDIE OU UNE EXPLOSION, QUI POURRAIT ENTRAÎNER DES DOMMAGES MATÉRIELS, DES BLESSURES OU LA MORT.

Ne pas entreposer ou utiliser d'essence ou tout autre liquide ou gaz inflammable à proximité de cet appareil ou de tout autre appareil.

EN PRÉSENCE D'UNE ODEUR DE GAZ:

1. Ne tenter d'allumer aucun appareil.
2. Ne toucher à aucun commutateur électrique.
3. N'utiliser aucun téléphone dans l'immeuble.
4. Appeler immédiatement le fournisseur de gaz à partir d'un téléphone situé à l'extérieur de l'immeuble ; Suivre les instructions du fournisseur de gaz.
5. S'il est impossible de joindre le fournisseur de gaz, appeler le service des incendies.

L'installation et la réparation doivent être effectuées par un installateur ou une agence de réparation ayant les qualifications requises auprès du fournisseur de gaz.

LISEZ ATTENTIVEMENT ET COMPLÈTEMENT CES INSTRUCTIONS AVANT D'INSTALLER OU D'UTILISER VOTRE APPAREIL AFIN DE RÉDUIRE LES RISQUES D'INCENDIE, DE BRÛLURE OU D'AUTRES BLESSURES. CONSERVER CE MANUEL POUR RÉFÉRENCE FUTURE.

DÉFINITIONS DE SÉCURITÉ

AVERTISSEMENT

CECI INDIQUE QUE L'INOBSERVATION DE CET AVERTISSEMENT PEUT ENTRAÎNER DES BLESSURES GRAVES VOIRE MORTELLES.

PRÉCAUTION

CECI INDIQUE QUE L'INOBSERVATION DE CET AVERTISSEMENT PEUT ENTRAÎNER DES BLESSURES MINEURES OU MODÉRÉES.

AVIS

CECI INDIQUE QUE L'INOBSERVATION DE CET AVERTISSEMENT PEUT ENTRAÎNER DES DOMMAGES DE L'APPAREIL OU DES DÉGÂTS MATÉRIELS.

**INSTALLATEUR: LAISSER CE MANUEL AVEC LE PROPRIÉTAIRE DE L'APPAREIL.
PROPRIÉTAIRE: CONSERVEZ CE MANUEL POUR RÉFÉRENCE FUTURE.**

Un message de Hestan

Les innovations culinaires primées de Hestan et les caractéristiques spéciales ont réinventé la cuisine du restaurant et redéfini l'expérience culinaire dans certains des restaurants les plus acclamés de l'Amérique. Hestan prend maintenant cette performance à l'arrière de la maison et la met au centre de la vôtre. Pensé et méticuleusement conçu, Hestan vous servira magnifiquement pour les années à venir.

Hestan est la seule marque résidentielle née des rêves et des exigences des chefs professionnels. De la cuisinière à la réfrigération, chaque détail est conçu pour offrir la performance et la fiabilité attendues dans un restaurant - maintenant disponible pour vous.

Nous apprécions que vous ayez choisi Hestan, et nous nous engageons à vous offrir le meilleur.

Bienvenue à Hestan



TABLE DES MATIÈRES

3	PRÉCAUTIONS DE SÉCURITÉ - AVANT DE COMMENCER
8	NUMÉROS DE MODÈLE
9	PLAQUE SIGNALÉTIQUE
9	RESPECT DE LA RÉGLEMENTATION ET DES CODES EN VIGUEUR
10	COMMENT COMMENCER AVEC VOTRE APPAREIL
14	UTILISATION DE LA TABLE DE CUISSON
16	UTILISATION DE LA PLAQUE CHAUFFANTE (CERTAINS MODÈLES)
17	NETTOYAGE ET ENTRETIEN
19	GUIDE DE DÉPANNAGE
20	LISTE DES PIÈCES
20	SERVICE
20	GARANTIE LIMITÉE

PRÉCAUTIONS DE SÉCURITÉ - AVANT DE COMMENCER

S'il est bien entretenu, cet appareil Hestan procurera un service sûr et fiable pendant de nombreuses années. Lorsqu'on se sert de cet appareil, les pratiques élémentaires suivantes en matière de sécurité doivent être adoptées.

INSTALLATEUR: Veuillez laisser ces instructions d'installation au propriétaire.

PROPRIÉTAIRE: Veuillez conserver ces instructions d'installation pour référence future.

Cette table de cuisson est conçue pour un usage domestique uniquement. Elle ne l'est PAS pour être installée dans des maisons préfabriquées (mobiles) ou dans des véhicules récréatifs. N'installez PAS cette cuisinière à l'extérieur.



RISQUE DE CHOC ÉLECTRIQUE

Débranchez l'alimentation avant d'installer ou d'entretenir l'appareil. Avant de le mettre sous tension, assurez-vous que toutes les commandes sont en position «OFF». Ne pas le faire peut entraîner un choc électrique ou la mort.

MISE À LA TERRE ÉLECTRIQUE

Cette appareil doit être mis à la terre. La mise à la terre réduit le risque de choc électrique en cas de court-circuit. Lisez la section BRANCHEMENTS ÉLECTRIQUES du Manuel d'installation pour des instructions complètes.

Cet appareil est pourvu d'une fiche à trois broches don't une mise à la terre assurant une protection contre les chocs électriques. La prise dans laquelle elle est branchée doit être correctement mise à la terre. Ne pas couper ni enlever la broche de mise à la terre de la fiche.

ALIMENTATION ÉLECTRIQUE

L'appareil doit avoir son propre circuit distinct - 120 VAC, monophasé, 60 Hz, avec un ampérage nominale de 15 ampères. Demandez à l'installateur de vous montrer où se trouve le disjoncteur électrique afin de savoir comment couper l'alimentation de cet appareil. Il incombe à l'utilisateur de faire raccorder l'appareil par un électricien agréé conformément à tous les codes locaux, ou en l'absence de ces codes, conformément au Code National de l'Électricité. Lisez la section BRANCHEMENTS ÉLECTRIQUES du Manuel d'Installation pour tous le détails.



PRÉCAUTIONS DE SÉCURITÉ - AVANT DE COMMENCER (SUITE)

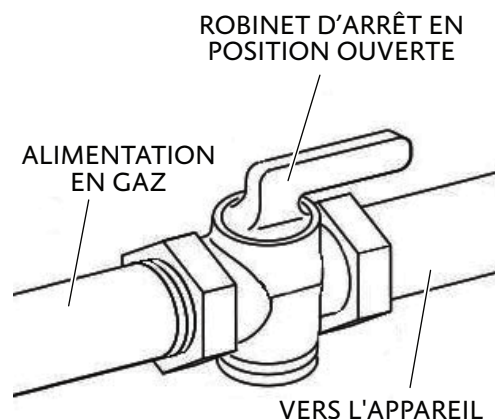
ALIMENTATION EN GAZ

Un robinet d'arrêt de gaz doit se trouver dans un endroit facilement accessible pour l'entretien de la cuisinière. Assurez-vous que tous les utilisateurs de la cuisinière savent où il se trouve et comment couper le gaz.

Le type de gaz doit être vérifié avant l'installation et l'utilisation de cet appareil. Il incombe à l'utilisateur de faire raccorder l'appareil par un plombier agréé conformément à tous les codes locaux, ou en l'absence de ces codes, conformément au National Fuel Gas Code.

Lors de la connexion au GPL, vérifiez que le réservoir est équipé de son propre détendeur haute pression. La pression du gaz fourni à l'appareil doit être 11-14 po à la colonne d'eau [2,74-3,48 kPa]. Consultez le Manuel d'Installation pour plus de détails sur le type de gaz, la pression du gaz, les instructions de raccordement et de contrôle d'étanchéité, etc.

Lisez la section RACCORDEMENT DE GAZ du Manuel d'Installation pour tous les détails.



FR

KITS DE CONVERSION

Dans le cas où votre appareil Hestan doit être converti du Gaz Naturel au GPL, ou vice-versa, vous devrez contacter le service clientèle de Hestan pour faire effectuer cette conversion. Celle-ci doit être effectuée que par un technicien qualifié.

KITS POUR HAUTES ALTITUDES

Si vous vivez dans une région à haute altitude, c'est-à-dire au moins 2000 pi [610 m] au-dessus du niveau de la mer, votre appareil peut exiger des orifices calibrés différents pour une combustion et un rendement appropriés. Vous devrez contacter le service clientèle de Hestan pour faire effectuer cette opération. Les kits Haute Altitude doivent être installés par un technicien qualifié. Veuillez avoir les informations relatives aux numéros de modèle et de série à portée de la main lorsque vous appelez.

DOSSERET

Votre table de cuisson Hestan est fournie en usine avec un dossieret Island Trim (à profilé pour îlot). Voir le Tableau 1 de la section APPENDICE du Manuel d'Installation pour autres options de dossieret disponibles chez votre concessionnaire Hestan, ou visitez www.hestanhome.com. La sélection du dossieret approprié dépend du lieu d'installation et des matériaux contigus, ainsi que du type de hotte à utiliser. Les instructions d'installation accompagnent le kit de dossieret. UN DOSSERET BAS OU ÉTAGÈRE HAUTE EST REQUIS LORS DE L'INSTALLATION DE LA CUISINIÈRE CONTRE UNE SURFACE COMBUSTIBLE - LA DOSSERET À PROFILÉ POUR ÎLOT NE CONVIENT PAS.

▲ PRÉCAUTION

Le haut du dossieret sert d'échappement pour évacuer la chaleur sous la table de cuisson. NE PAS BLOQUER ou obstruer le haut du dossieret. NE PAS toucher le haut du dossieret pendant le fonctionnement de l'appareil, car il pourrait chauffer. Lui laisser suffisamment de temps pour refroidir avant de toucher ou de nettoyer cette zone. NE PAS placer à proximité d'objets en plastique ou d'autres objets sensibles à la chaleur qui pourraient fondre ou brûler.

PRÉCAUTIONS DE SÉCURITÉ - AVANT DE COMMENCER (SUITE)

EXIGENCES DE VENTILATION

Une hotte de ventilation est REQUISE au-dessus de cet appareil. Il est fortement recommandé d'installer cet appareil avec une hotte Hestan. Les hottes Hestan ont été adaptées à la cote BTU de la table de cuisson. En raison de la puissance calorifique élevée de cette table de cuisson, il est très important que l'installation de la hotte et des conduits réponde aux codes de construction locaux et soit réalisée par un technicien qualifié.

N'utilisez pas de système de ventilation à tirage descendant.

Ne montez pas un ensemble four à micro-ondes / ventilateur au-dessus de la table de cuisson. Ces types d'unités n'offrent pas un débit d'air suffisant pour évacuer la chaleur élevée de cette table de cuisson et n'ont pas été testés avec ce type d'appareil.

Consultez le Manuel d'Installation pour plus de détails.

CONSULTEZ VOTRE CONCESSIONNAIRE HESTAN POUR CHOISIR LA HOTTE DE VENTILATION APPROPRIÉ POUR VOTRE APPAREIL HESTAN.



EN CAS DE PANNE DE COURANT

Tous les boutons de commande doivent être en position «OFF» pour éviter une mise en marche intempestive lors de la mise sous tension.

N'ESSAYEZ PAS D'UTILISER LA TABLE DE CUISSON PENDANT UNE PANNE DE COURANT PROLONGÉE.

Bien que les brûleurs supérieurs puissent être allumés manuellement, ils doivent être utilisés SEULEMENT LORSQU'ILS SONT SURVEILLÉS PAR L'UTILISATEUR. En cas de réglage de brûleur sur feux doux, si la flamme devait s'éteindre, une accumulation dangereuse de gaz pourrait provoquer une explosion.

La plaque chauffante ne peut pas être utilisée en cas de panne de courant.



LA SÉCURITÉ DES ENFANTS

IL INCOMBE AUX PARENTS OU AUX TUTEURS DE S'ASSURER QUE LES ENFANTS SONT INFORMÉS DE L'UTILISATION EN TOUTE SÉCURITÉ DE CET APPAREIL. Ne laissez pas les enfants utiliser cet appareil sans la surveillance d'un adulte. Ne laissez pas les enfants jouer dans ou autour de l'appareil, même lorsqu'ils n'est pas en service. Les articles qui intéressent les enfants ne doivent pas être stockés dans ou sur l'appareil, dans les éléments qui se trouvent au-dessus ni sur le dossier de l'appareil. Les enfants qui grimpent sur l'appareil pourraient être gravement blessés.



RISQUE DE BRÛLURE - Toutes les parties de la table de cuisson peuvent devenir très chaudes pendant le fonctionnement. Ne laissez pas les enfants toucher l'appareil pendant le fonctionnement. Le non-respect de ces instructions peut entraîner des brûlures graves ou des blessures.

SÉCURITÉ TECHNIQUE

L'installation et l'entretien de cet appareil doivent être effectués par un installateur qualifié ou un technicien agréé d'entretien Hestan. Ne réparez ou ne remplacez aucune pièce de l'appareil à moins d'instructions précises à cet effet. Les pièces défectueuses ne doivent être remplacées que par des pièces d'origine Hestan. Contactez le service clientèle de Hestan pour toute demande ou pour organiser un dépannage.

L'appareil doit être débranché des alimentations en courant et en gaz pendant toute opération de réparation ou d'entretien.

PRÉCAUTIONS DE SÉCURITÉ - AVANT DE COMMENCER (SUITE)

SÉCURITÉ DE L'UTILISATEUR

AVERTISSEMENT

RISQUE DE BRÛLURE - Toutes les parties de la table de cuisson peuvent devenir très chaudes pendant le fonctionnement. Ne touchez pas l'appareil en cours de fonctionnement. Le non-respect de ces instructions peut entraîner des brûlures graves ou des blessures. Utilisez des maniques ou des gants pour vous protéger lorsque vous déplacez des casseroles ou ustensils chaudes.

Pendant ou après la cuisson, laissez suffisamment de temps à toutes les surfaces pour qu'elles refroidissent.

N'utilisez que des maniques / gants de cuisine secs ou résistants à la chaleur. L'utilisation de gants humides ou mouillés peut causer des brûlures par la vapeur. Ne remplacez pas les maniques par des torchons ou autres articles similaires. Ces articles pourraient entrer en contact avec des surfaces chaudes et s'enflammer.

Évitez de porter des vêtements amples ou des manches longues pendant la cuisson. Ils pourraient s'enflammer. Pour votre sécurité personnelle, portez des vêtements appropriés lorsque vous utilisez l'appareil. Certains tissus synthétiques sont hautement inflammables et ne doivent pas être portés pendant la cuisson.

AVERTISSEMENT

Pour des raisons de sécurité, ne JAMAIS utiliser cet appareil en guise de chauffeuse. Le fait de chauffer une pièce ainsi peut entraîner un empoisonnement au monoxyde de carbone ou une surchauffe de l'appareil.

AVERTISSEMENT

Les revêtements en papier d'aluminium peut emprisonner la chaleur, ce qui risque de provoquer un incendie. N'utilisez pas de papier d'aluminium pour recouvrir les brûleurs de surface. Cela pourrait entraîner un risque de choc électrique ou d'incendie.

Ne permettez à personne de grimper, de se tenir debout, de marcher, de s'appuyer ou de s'asseoir sur une partie de l'appareil. Cela pourrait endommager l'appareil ou provoquer des blessures.

SÉCURITÉ CONTRE L'INCENDIE

Pour réduire le risque de feu, ne laissez pas les brûleurs de surface sans surveillance réglés sur feu vif. Les ébullitions pourraient étouffer les flammes et l'allumeur, ce qui permettrait au gaz non brûlé de s'échapper dans la pièce, qui pourrait entraîner une explosion.

Allumez toujours la hotte de ventilation pendant la cuisson. Nettoyez fréquemment les filtres à graisse de la hotte d'évacuation - ne laissez pas la graisse s'accumuler sur le ventilateur ou les filtres.

Utilisez la taille de casserole adaptée au brûleur utilisé. Pour des raisons de sécurité, ajustez la taille de la flamme afin qu'elle ne lèche pas les côtés de la casserole.

Gardez la zone de l'appareil dégagée et exempte de matériaux combustibles, d'essence et d'autres vapeurs et liquides inflammables. Ne stockez JAMAIS des liquides et matériaux inflammables dans, au-dessus ou sur la table de cuisson, ni près des surfaces de cuisson. Ne pas obstruer le flux d'air de combustion et de ventilation de l'appareil.

TOUJOURS avoir un détecteur de fumée fonctionnel près de la cuisine.

TOUJOURS avoir un extincteur à poudre chimique approprié à proximité. Éteignez le feu ou les flammes en utilisant le couvercle de l'ustensile (casserole ou poêle), une plaque à biscuits ou un plateau en métal. Ensuite, éteignez le brûleur. Utilisez un extincteur, ou du bicarbonate de soude si le feu est petit et relativement circonscrit. N'UTILISEZ PAS D'EAU SUR UN FEU DE GRAISSE. Cela pourrait entraîner la propagation du feu ailleurs.

Ne JAMAIS ramasser une casserole enflammée. Vous pouvez renverser la graisse sur vous et être gravement brûlé.

PRÉCAUTIONS DE SÉCURITÉ - AVANT DE COMMENCER (SUITE)

Si elle est accessible, éteignez la hotte de ventilation en cas d'incendie, mais ne plongez pas le bras dans les flammes pour ce faire.

Si vos vêtements personnels ou vos cheveux prennent feu, laissez-vous tomber et roulez-vous immédiatement pour étouffer les flammes. Consulter un médecin si nécessaire.

Ne suspendez aucun article à l'appareil et ne placez aucun objet contre l'avant de l'appareil. Certains tissus sont hautement inflammables et pourraient s'enflammer.

SI LES FLAMMES NE S'ÉTEignent PAS, ÉVACUEZ LES LIEUX ET APPELEZ LES POMPIERS.

SÉCURITÉ PENDANT LE NETTOYAGE

Nettoyez l'appareil uniquement comme indiqué dans la section NETTOYAGE ET ENTRETIEN de ce manuel.

N'utilisez pas de nettoyeur à vapeur pour nettoyer la table de cuisson. La vapeur peut pénétrer dans les composants électriques et provoquer un court-circuit et / ou un risque d'électrocution.

N'utilisez pas de nettoyeurs abrasifs, d'objets durs tels que des brosses ou des grattoirs, ou des outils métalliques tranchants pour nettoyer.

Ne versez pas d'eau froide sur les surfaces chaudes à l'intérieur de l'appareil. La vapeur peut causer de graves brûlures. Le brusque changement de température pourrait également déformer les surfaces métalliques entraînant des dommages permanents.

Utilisez seulement une petite brosse à dents pour nettoyer les orifices de brûleurs et l'allumeur des brûleurs de surface. N'insérez pas d'objets pointus ou ne rayez pas les orifices de brûleurs.

Attendez que l'appareil ait complètement refroidi avant d'utiliser des nettoyeurs de type aérosol. Beaucoup de ces nettoyeurs utilisent des gaz propulseurs inflammables qui pourraient s'enflammer en présence de chaleur.

UTILISATION APPROPRIÉE

Ne pas chauffer des contenants non ouverts (boîtes) dans la table de cuisson. La pression risque de monter et de provoquer l'explosion du contenant, ce qui pourrait endommager l'appareil ou blesser quelqu'un.

Seuls certains types de verre, de vitrocéramique résistant à la chaleur, de terre cuite ou d'autres ustensiles vitrés peuvent être utilisés sur les brûleurs de surface. Cependant, ces types de matériaux peuvent se briser par suite de changements soudains de température. Utilisez uniquement les réglages à feu doux ou moyen et selon les instructions de leurs fabricants.

Les ustensiles de cuisson, tels que les grandes casseroles, les plaques à biscuits, etc. ne doivent pas être utilisés sur les brûleurs de surface. Les grandes plaques de cuisson qui s'étendent sur 2 brûleurs doivent être utilisées avec précaution et avec des réglages à feu moyen à doux pour éviter l'accumulation de chaleur qui pourrait déformer les grilles ou la cuvette du brûleur.

Positionnez toujours les poignées de la casserole et des poêles de sorte qu'elles ne s'étendent pas au-dessus des zones de travail contiguës ou du bord de la plaque de cuisson. C'est pour éviter de renverser le contenu chaud qui pourrait vous brûler, ou provoquer un incendie.

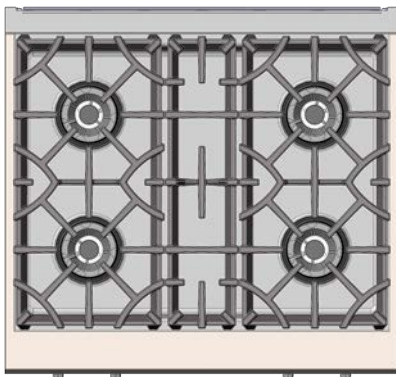
N'utilisez pas de casseroles ou de poêles sur la plaque chauffante (le cas échéant).

NUMÉROS DE MODÈLE

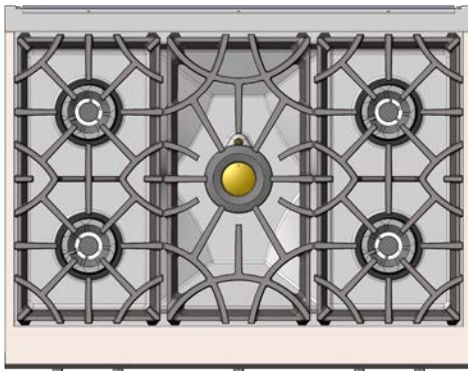
MODÈLES DES TABLES DE CUISSON

NO. MODÈLE	DESCRIPTION	DISJONCTEUR REQUIS
KRT304-NG / -LP	TABLE DE CUISSON 30 po À 4 BRÛLEURS	15 Ampères
KRT365-NG / -LP	TABLE DE CUISSON 36 po À 5 BRÛLEURS	15 Ampères
KRT364GD-NG / -LP	TABLE DE CUISSON 36 po À 4 BRÛLEURS ET PLAQUE CHAUFFANTE 12 po	15 Ampères
KRT485GD-NG / -LP	TABLE DE CUISSON 48 po À 5 BRÛLEURS ET PLAQUE CHAUFFANTE 12 po	15 Ampères
KRT484GD-NG / -LP	TABLE DE CUISSON 48 po À 4 BRÛLEURS ET PLAQUE CHAUFFANTE 24 po	15 Ampères

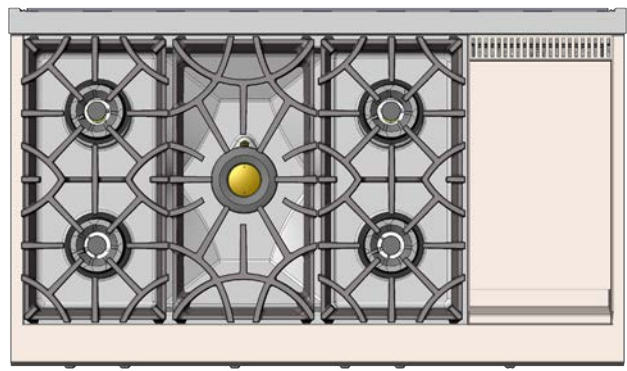
FR



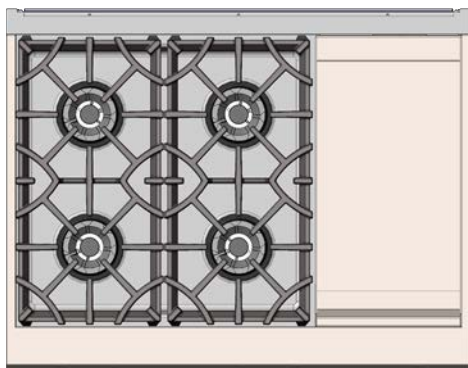
KRT304



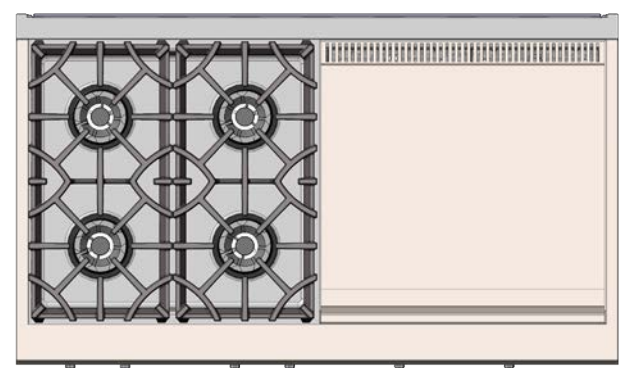
KRT365



KRT485GD



KRT364GD



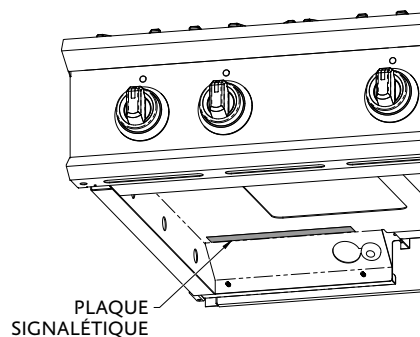
KRT484GD

PLAQUE SIGNALÉTIQUE

La plaque signalétique donne des informations importantes sur cet appareil Hestan telles que les numéros de série et de modèle, le type de gaz et la pression d'admission, les caractéristiques électriques, la cote BTU pour chaque type de brûleur et les dégagements minima d'installation.

La plaque signalétique se trouve sous l'unité.

Si un entretien est nécessaire, contactez le service clientèle de Hestan avec les informations sur le modèle et le numéro de série figurant sur la plaque.



HESTAN COMMERCIAL CORP. ANAHEIM, CA - USA		MODEL / MODELE		SER. NO. / NO. SER.		PATENTED: http://www.hestanhome.com/patents.pdf	
VOLTS	60	BURNER RATINGS (BTU/HOUR)			MIN. CLEARANCES / DÉGAGEMENTS		
PHASE	1	FRONT BURNER (BRÛLEUR AVANT)	CENTER BURNER (BRÛLEUR CENTRE)	REAR BURNER (BRÛLEUR ARRIÈRE)	GRIDDLE (PLAQUE CHAUFFANT)	COMBUSTIBLE	NON-COMBUSTIBLE
AMPS						BACK OVERHEAD	TOE
						6"	0"
						12"	0"

CONFORME TO ANSI STD Z21.1-2016 - CSA 1.1-2016
HOUSEHOLD COOKING GAS APPLIANCE
CONFORME À LA NORME ANSI Z21.1-2016 - CSA 1.1-2016
APPAREIL ÉLECTRIQUE À GAZ DE CUISSON AU GAZ
VENTED UNIT - SEE INSTALLATION MANUAL
UNITE VENTILÉE - VOIR LE MANUEL D'INSTALLATION

RESPECT DE LA RÉGLEMENTATION ET DES CODES EN VIGUEUR

L'installation de cet appareil de cuisson doit être effectuée conformément aux codes locaux. En l'absence de tels codes, installer cet appareil conformément au National Fuel Gas Code ANSI Z223.1/NFPA 54, au code Natural Gas and Propane Installation CSA B149.1 ou au Propane Storage and Handling Code B149.2.

Tous les composants électriques doivent être mis à la terre conformément aux codes locaux ou, en l'absence de tels codes, au National Electrical Code ANSI/NFPA 70 ou au Code national de l'électricité du Canada CSA C22.1.

COMMUNAUTÉ DU MASSACHUSETTS

Le Massachusetts exige que toutes les installations au gaz soient effectuées par un plombier ou monteur d'installations au gaz titulaire d'une autorisation appropriée délivrée par le Massachusetts. Toutes les installations à demeure fonctionnant au propane ou au gaz naturel exigent la pose d'un robinet manuel de gaz à poignée en T sur la conduite d'alimentation en gaz de l'appareil. Le tuyau de raccordement flexible de gaz ne doit pas dépasser 36 po [91,4 cm].

PROPOSITION 65 DE CALIFORNIE – MISE EN GARDE



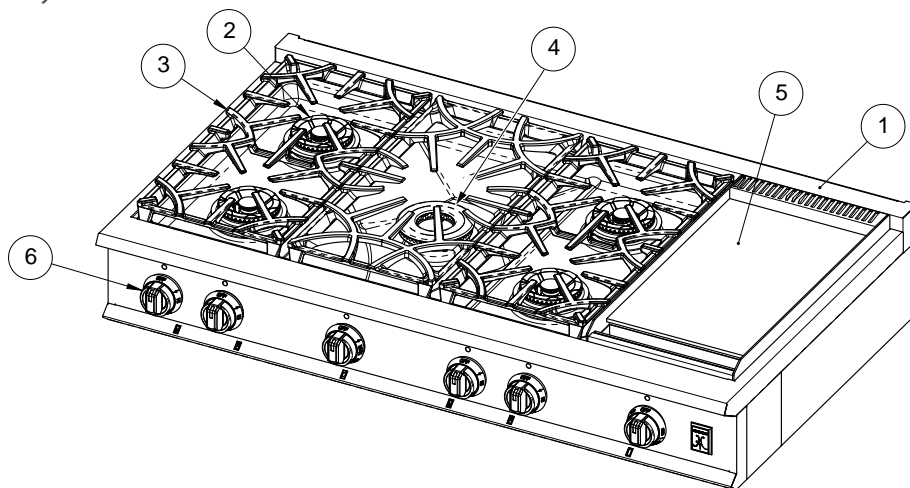
AVERTISSEMENT Ce produit peut vous exposer à des produits chimiques, y compris le monoxyde de carbone, qui est reconnu par l'État de Californie pour causer des malformations congénitales ou d'autres problèmes de reproduction. Pour plus d'informations, visitez www.P65Warnings.ca.gov.

COMMENT COMMENCER AVEC VOTRE APPAREIL

IDENTIFICATION DE COMPOSANTS

Utilisez les images ci-dessous pour vous familiariser avec les différentes parties de la table de cuisson.

1. Dossieret Profilé pour Îlot (inclus)*
2. Brûleur à double flux scellé
3. Grille de Brûleur
4. Brûleur à simple flux scellé (certains modèles)
5. Plaque Chauffante (les modèles GD)
6. Boutons de Commandes



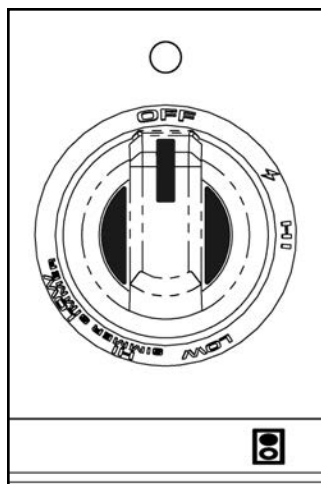
FR

MODÈLE KRT485GD REPRÉSENTÉ

* *Dossieret Bas ou Étagère Haute commandé séparément..*

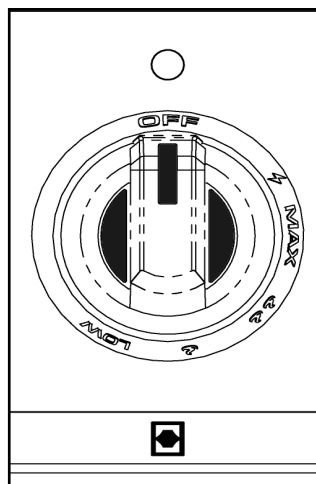
COMMENT COMMENCER AVEC VOTRE APPAREIL (SUITE)

FR



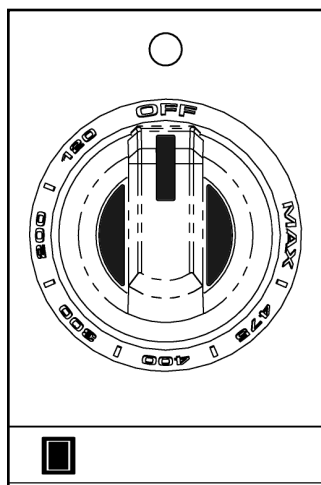
**BRULEUR
DOUBLE FLUX**

TOURNEZ VERS LA GAUCHE JUSQU'À « HI » POUR ALLUMER LE BRÛLEUR. AJUSTEZ LA FLAMME AU BESOIN. IL Y A DES POSITIONS DE DÉTENTE À HI, BAS ET MIJOTER POUR FACILITÉ D'UTILISATION.



**BRULEUR À
FLUX SIMPLE**

TOURNEZ VERS LA GAUCHE JUSQU'À « MAX » POUR ALLUMER LE BRÛLEUR. AJUSTEZ LA FLAMME AU BESOIN. IL YA UN DÉTENTE À LA POSITION « MAX » UNIQUEMENT.



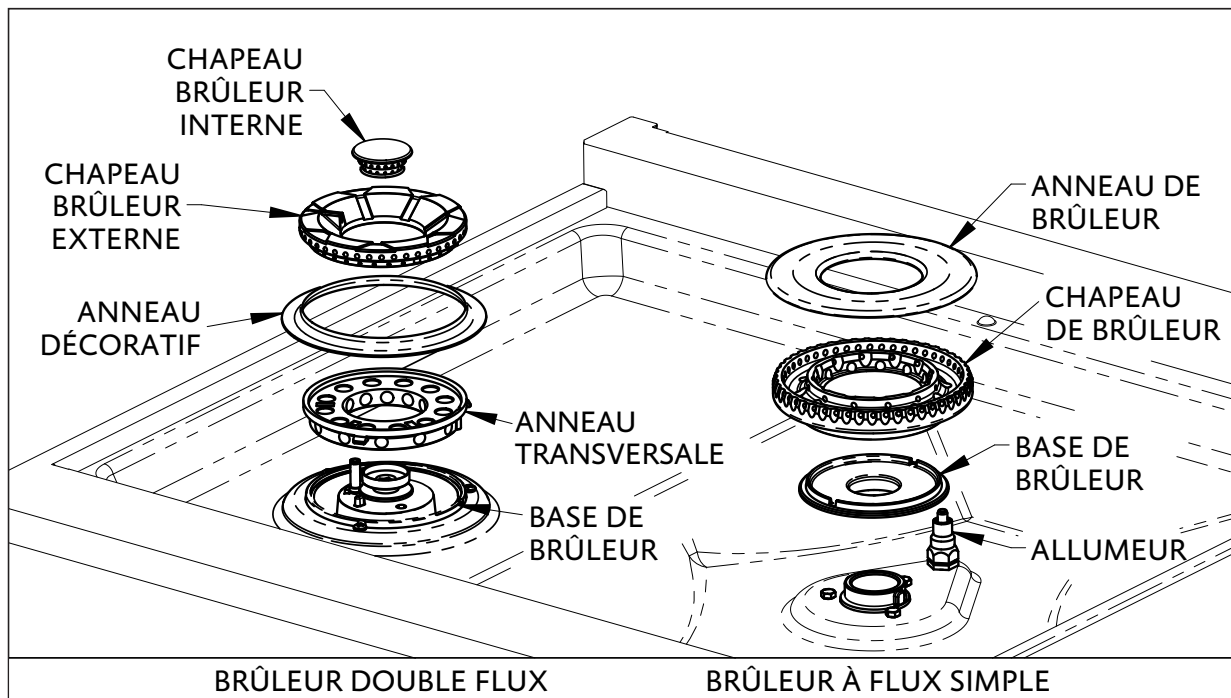
**TEMPERATURE
DE PLAQUE
CHAUFFANTE**

TOURNEZ VERS LA DROITE POUR SÉLECTIONNER LA TEMPÉRATURE DE PLAQUE CHAUFFANTE

COMMENT COMMENCER AVEC VOTRE APPAREIL (SUITE)

BRÛLEURS SCÉLLÉS

Assurez-vous que les chapeaux des brûleurs scellés sont bien en place sur la base du brûleur comme indiqué ci-dessous. Il y a des encoches sur la base du brûleur et une bague transversale pour faciliter l'alignement. Le dessus du chapeau du brûleur externe comporte une longue fente qui s'aligne sur l'allumeur par étincelle. L'assemblage du chapeau du brûleur à flux simple est similaire.



UTILISATION INITIALE

Avant d'utiliser votre table de cuisson pour la première fois, les huiles de fabrication et les résidus sur les grilles seront brûlés. Cela peut produire un peu de fumée et une odeur. Ceci est normal et est typique de tout nouveau four lors de la première utilisation. Si l'odeur est forte, faites sortir les personnes et les animaux de la cuisine pendant cette période. Ouvrez toutes les fenêtres pour évacuer l'odeur de la pièce.

Assurez-vous qu'il n'y a pas de matériaux d'emballage. Retirez toute étiquette ou film plastique de l'extérieur de l'appareil. Installez toutes les grilles de cuisson et la plaque de cuisson (si équipé).

CHAPEAUX DE BRÛLEURS

Si le chapeau de brûleur n'est pas bien en place, un ou plusieurs des problèmes suivants peuvent se produire:

- Flammes trop hautes
- Flammes jaillissant hors des brûleurs
- Non-allumage des brûleurs
- Flammes irrégulières
- Émission d'une odeur de gaz par le brûleur

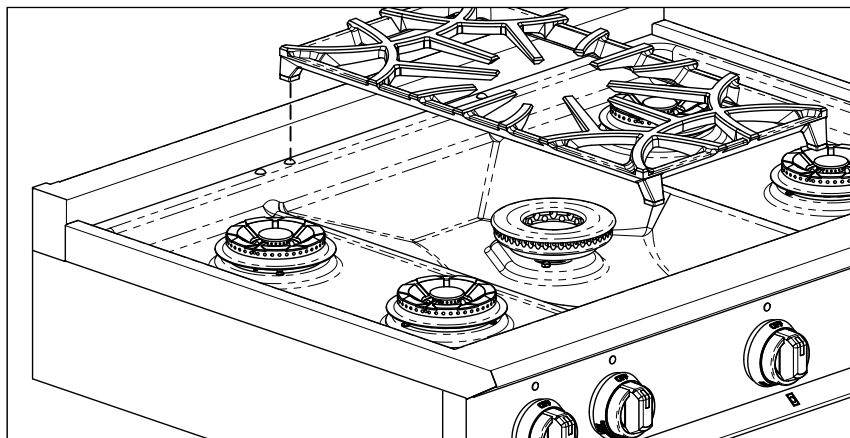
AVERTISSEMENT

RISQUE DE BRÛLURE - Pour éviter les brûlures, ne touchez pas le chapeaux des brûleurs ni les grilles de cuisson quand ils sont chauds. Laissez-les refroidir complètement. Pour éviter les flambées, n'utilisez pas le brûleur si tous les chapeaux des brûleurs ne sont pas bien en place. N'utilisez pas de papier d'aluminium pour recouvrir les brûleurs de surface. Cela pourrait entraîner un risque de choc électrique ou d'incendie.

COMMENT COMMENCER AVEC VOTRE APPAREIL (SUITE)

GRILLES DE BRÛLEURS

Voir l'illustration pour le placement correct des grilles de brûleurs. Il y a de petites bossages ronds à l'avant et à l'arrière de la cuvette du brûleur pour aider à aligner les grilles et à les maintenir en position les unes par rapport aux autres.



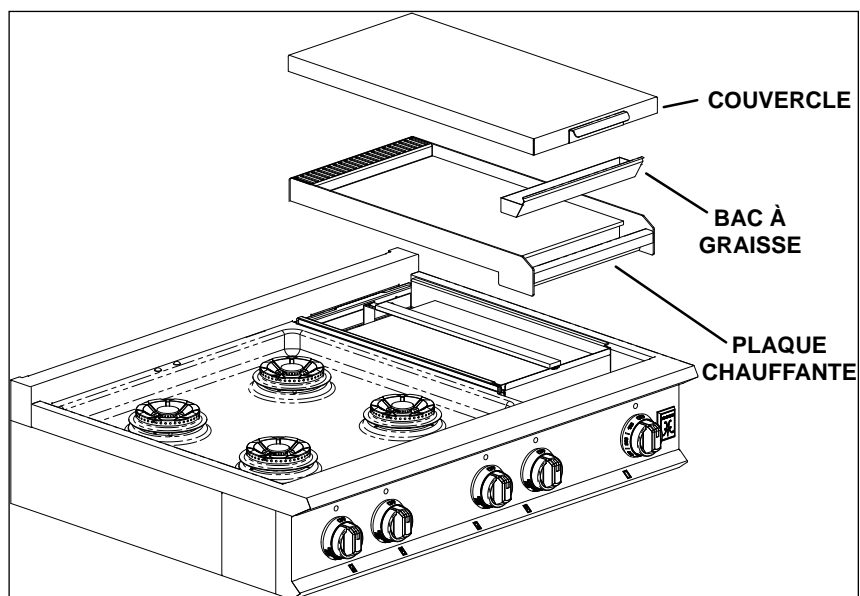
PLAQUE CHAUFFANTE (les modèles GD)

Voir l'illustration pour l'emplacement correct de la plaque chauffante et du bac à graisse.

La plaque est en acier inoxydable et ne nécessite aucun assaisonnement. Le bac à graisse a un revêtement antiadhésif pour un nettoyage facile.



Retirez toujours le couvercle avant de cuire sur votre plaque chauffante.



UTILISATION DE LA TABLE DE CUISSON

BOUTONS DE COMMANDE DES BRÛLEURS

Chaque brûleur scellé a son propre bouton de commande. Le symbole sous chaque bouton indique quel brûleur est contrôlé par chaque bouton. Poussez et tournez à GAUCHE (sens anti-horaire) sur «HI» pour allumer la flamme, puis tournez au réglage de flamme désiré.

TYPES DE BRÛLEUR ET CAPACITÉ

Ce tableau indique le type et la puissance de chaque brûleur scellé. Les brûleurs à double flux ont une rangée interne et externe d'orifices, avec une fonction de mijotage (SIMMER). Le brûleur à flux simple (certains modèles) est similaire à un brûleur commercial et offre un rendement très élevé et une fonction de feu doux, mais pas de mijotage.

CAPACITÉ DES BRÛLEURS - GAZ NATUREL					
DOUBLE-FLUX (AVANT)	CAPACITÉ (BTU/h)	DOUBLE-FLUX (ARRIÈRE)	CAPACITÉ (BTU/h)	FLUX SIMPLE	CAPACITÉ (BTU/h)
HI	23000	HI	15500	MAX	30000
LOW	4200	LOW	4200	LOW	4200
SIMMER HI	1500	SIMMER HI	1500		
SIMMER LOW	500	SIMMER LOW	500		

CAPACITÉ DES BRÛLEURS - PROPANE LIQUIDE (GPL)					
DOUBLE-FLUX (AVANT)	CAPACITÉ (BTU/h)	DOUBLE-FLUX (ARRIÈRE)	CAPACITÉ (BTU/h)	FLUX SIMPLE	CAPACITÉ (BTU/h)
HI	23000	HI	15500	MAX	22000
LOW	4200	LOW	4200	LOW	4200
SIMMER HI	1500	SIMMER HI	1500		
SIMMER LOW	600	SIMMER LOW	600		

RALLUMAGE

Chaque brûleur scellé possède son propre module électronique d'allumage par étincelle avec technologie de détection de flamme et capacité de rallumage automatique. Si un brûleur devait s'éteindre, l'allumeur rallume automatiquement le brûleur.

Chaque brûleur devrait s'allumer en moins de 4 secondes. Une fois allumé, les étincelles s'arrêteront. À mijotage très doux, une étincelle occasionnelle peut se produire. Cela est généralement dû à une courant d'air dans la pièce. Si un allumeur continue à étinceler même avec une flamme présente, il pourrait y avoir un problème de câblage électrique, ou un autre problème. Pour plus de détails, voir la section DÉPANNAGE de ce manuel.



NE PAS toucher le brûleur ni les allumeurs lorsque des étincelles se produisent. Un risque de choc électrique ou de brûlure pourrait se produire.

ALLUMAGE MANUEL / PANNE DE COURANT

LA PLAQUE CHAUFFANTE NE PEUVENT PAS ÊTRE UTILISÉS PENDANT UNE PANNE DE COURANT.

Chaque brûleur scellé peut être allumé manuellement en cas de panne de courant. Il est nécessaire d'allumer chaque brûleur individuellement.

Si une panne de courant se produit PENDANT que vous utilisez les brûleurs scellés, tournez tous les boutons à la position «OFF» - puis allumez manuellement avec une allumette ou un allume-feu.

Positionnez l'allumette ou l'allume-feu sur l'orifice le plus proche de l'allumeur, puis tournez le bouton sur «HI» jusqu'à ce que la flamme soit allumée. Attendez que la flamme soit allumée tout autour du brûleur avant de régler le bouton sur «LOW» ou «SIMMER».

SI VOUS PERCEVEZ UNE ODEUR DE GAZ, tournez tous les boutons de commande sur «OFF» - vérifiez les précautions indiquées dans la section SÉCURITÉ de ce manuel.

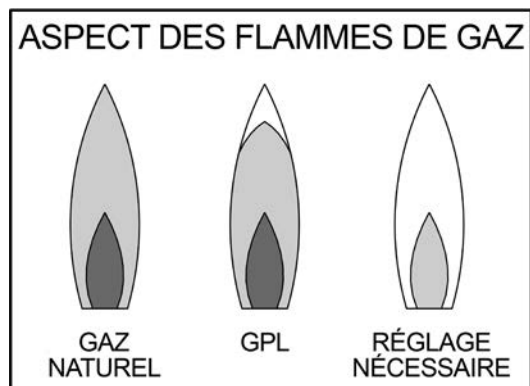
UTILISATION DE LA TABLE DE CUISSON (SUITE)

HAUTEUR DE FLAMME

La hauteur de la flamme dépend de la taille de la poêle utilisée et de la quantité de nourriture ou de liquide dans la poêle. En d'autres termes, n'utilisez pas une petite poêle sur une grande flamme. Pour des raisons de sécurité, réglez la hauteur de la flamme de manière à ce qu'elle ne dépasse pas, ou ne lèche pas les côtés de votre casserole ou poêle. Ce comportement entraîne un mauvais chauffage du contenu de la poêle, de la nourriture brûlée sur les côtés de la poêle, du gaspillage de combustible, etc.

Utilisez une flamme faible ou moyenne avec les ustensiles qui chauffent lentement, comme les casseroles en vitrocéramique.

CARACTÉRISTIQUES DE FLAMME



Flamme bleu clair - Flamme normale de gaz naturel

Flamme bleu clair avec des pointes jaunes - Flamme normale de gaz GPL

Flamme jaune - Réglage nécessaire

Si la flamme est principalement ou entièrement jaune, vérifiez à nouveau la position des chapeaux de brûleurs pour voir s'ils sont bien en place et / ou consultez la section PHASE FINALE du Manuel d'Installation pour plus de détails.

RECOMMANDATIONS EN MATIÈRE D'USTENSILES

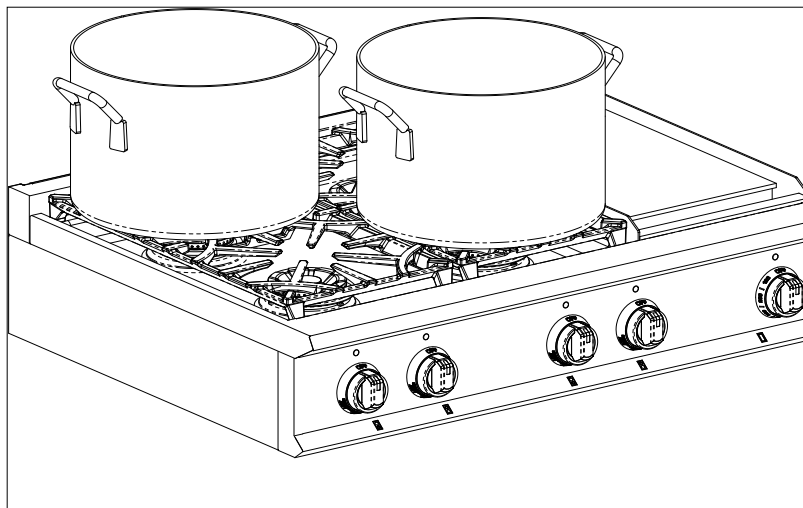
Comme indiqué précédemment à la UTILISATION APPROPRIÉE à la page 7, les ustensiles de cuisson, tels que les grandes casseroles, les plaques à biscuits, etc. ne doivent pas être utilisés sur les brûleurs de surface. Les grandes plaques chauffantes qui s'étendent sur 2 brûleurs doivent être utilisées avec précaution et avec des réglages à feu moyen ou doux afin d'éviter une accumulation de chaleur qui pourrait déformer les grilles ou la cuvette du brûleur.

Les grandes marmites doivent être décalées lorsqu'elles sont utilisées sur la table de cuisson (voir l'illustration).

Ne pas cuire sur une feuille d'aluminium ni dans des moules en aluminium mince jetables. Ceux-ci peuvent fondre.

Ne laissez jamais une casserole chauffer à sec. Si vous attendez trop longtemps, la casserole pourrait fondre, ou endommager l'appareil.

Utilisez uniquement des casseroles de haute qualité avec des poignées en métal. Certaines poignées en plastique pourraient fondre sous la chaleur intense des brûleurs.



UTILISATION DE LA PLAQUE CHAUFFANTE (CERTAINS MODÈLES)

BOUTON DE COMMANDE DE PLAQUE CHAUFFANTE

La plaque chauffante offre une plage de température allant de 120°F - MAX (environ 500°F) [49 - 260°C]. Poussez et tournez vers la DROITE (dans le sens horaire) pour sélectionner la température désirée pour les aliments que vous faites cuire. Une lueur orange constante sera visible aux l'évents à l'arrière de la plaque chauffante. C'est normal.

AVERTISSEMENT

Pour éviter les blessures, N'UTILISEZ PAS la plaque chauffante sans la plaque de cuisson et le bac à graisse en place. Retirez le couvercle avant de cuisiner.

PRÉCAUTION

La plaque chauffante est très chaude après utilisation. Laissez-lui suffisamment de temps pour refroidir avant de la nettoyer.

N'UTILISEZ PAS d'ustensiles en métal (casserolles, poêles, etc.) sur la surface de la plaque chauffante. Veillez à ne pas gouger ni provoquer de profondes rayures sur la surface de la plaque chauffante. NE PAS couper directement sur la plaque de cuisson.

PREMIÈRE OPÉRATION

Avant d'utiliser votre plaque chauffante pour la première fois, nettoyez la plaque de cuisson et le bac à graisse avec de l'eau chaude savonneuse puis rincez soigneusement et séchez. Lorsque vous chauffez la plaque pour la première fois, un peu de fumée et une légère odeur peuvent se dégager lorsque les huiles de fabrication restantes sont brûlées. La plaque en acier inoxydable se décolore d'une couleur paille, à un brun très foncé ou noir, en fonction des aliments que vous faites cuire sur la surface.

CUISSON SUR LA PLAQUE CHAUFFANTE

Lorsque vous utilisez la plaque chauffante, tenez compte des points suivants:

- À mesure que le temps passe et que l'utilisation de la plaque chauffante augmente, une décoloration de la plaque de la plaque chauffante peut se produire et est normale.
- Lorsque vous videz le bac à graisse, veillez à verser la graisse dans un récipient approprié pour la mise au rebut, pas dans les égouts. Ne pas gratter avec des ustensiles en métal.

Il faudra un peu de pratique pour savoir comment se comporte votre plaque chauffante avec certains aliments. Le tableau ci-dessous donne quelques recommandations sur les températures.

PRODUIT ALIMENTAIRE	TEMPÉRATURE DE PLAQUE
DES ŒUFS	300 - 325°F [149 - 163°C]
CRÊPES, PAIN PERDU	400 - 425°F [204 - 218°C]
POMMES DE TERRE RISSOLÉES (surgelées)	475 - 500°F [246 - 260°C]
POITRINE DE POULET (DÉSOSSÉE)	425 - 450°F [218 - 232°C]
BACON, SAUCISSE	450 - 475°F [232 - 246°C]
STEAK 1 po (25mm)	450 - 475°F [232 - 246°C]
HAMBURGER 6 oz (170 g)	450 - 475°F [232 - 246°C]

NETTOYAGE DE LA PLAQUE CHAUFFANTE

Lisez la section NETTOYAGE ET ENTRETIEN de ce manuel pour des instructions complètes.

NE JAMAIS inonder la plaque chauffante chaude avec de l'eau froide. Cela peut déformer en permanence la plaque.

NE nettoyez AUCUNE partie de la plaque chauffante dans le cadre du cycle d'auto-nettoyage du four. Ne mettez pas votre plaque de cuisson dans le lave-vaisselle, car cela endommagerait votre appareil.

Attendez que l'appareil ait complètement refroidi avant de le nettoyer.

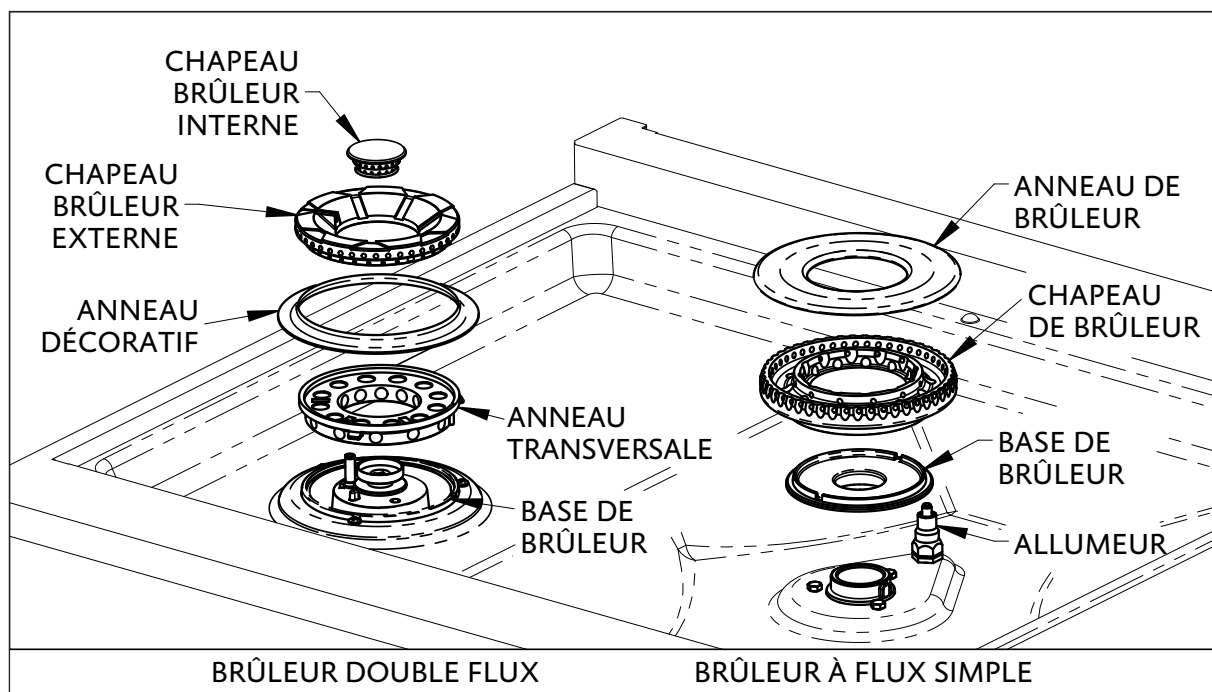
NETTOYAGE ET ENTRETIEN

BRÛLEURS SCÉLLÉS

AVERTISSEMENT

RISQUE DE BRÛLURE - Pour éviter les brûlures, ne pas toucher les chapeaux des brûleurs ou les grilles de cuisson à chaud. Laisser refroidir complètement.

Les brûleurs peuvent être démontés pour le nettoyage. Utilisez seulement une petite brosse à dents pour nettoyer les orifices du brûleur et l'allumeur. N'insérez PAS d'objets pointus ou ne rayez pas les orifices du brûleur. Après le nettoyage, assurez-vous que les chapeaux de brûleurs scellées sont bien en place sur la base des brûleurs comme indiqué ci-dessous. Il y a des encoches sur la base du brûleur et une bague transversale pour faciliter l'alignement. Le chapeau du brûleur externe comporte une longue fente sur le dessus de la tête qui s'aligne avec l'allumeur à étincelles. L'assemblage de la chapeau du brûleur à flux simple est similaire.



NETTOYANTS SUGGÉRÉS:

BRÛLEUR EN LAITON / LE CHAPEAUX

Eau chaude et détergent doux
Bon-Ami®
Kleen King®

ALLUMEUR CÉRAMIQUE

Eau chaude et détergent doux
Fantastik®

NETTOYAGE ET ENTRETIEN (SUITE)

GRILLES DE CUISSON EN FONTE ÉMAILLÉE

Eau chaude et détergent doux
Bon-Ami®
Kleen King®
SoftScrub®

Soyez prudent lorsque vous manipulez les grilles. Elles sont lourdes et peuvent se fêler si elles tombent sur le sol ou sur une surface dure. NE PAS nettoyer les grilles dans un four auto-nettoyant. Ne pas laisser les taches de nourriture ou les éclaboussures d'aliments acides sur les surfaces des grilles trop longtemps. Ces taches peuvent dégrader l'émail. Pour les taches tenaces, utilisez une légère pression avec un nettoyant abrasif. Rincer à fond et sécher immédiatement.

FR

PLAQUE CHAUFFANTE ET BAC À GRAISSE (le cas échéant)



RISQUE DE BRÛLURE - Pour éviter les brûlures, ne touchez pas la plaque chauffante ou le bac à graisse lorsqu'il est chaud. Laisser refroidir complètement.

NE JAMAIS inonder une plaque chauffante chaude d'eau froide. La vapeur peut causer de graves brûlures. Le brusque changement de température pourrait également déformer les surfaces métalliques, entraînant un gauchissement permanent de la plaque. NE PAS nettoyer la plaque chauffante dans un four auto-nettoyant.

La plaque chauffante peut être retirée pour être nettoyée à la main avec de l'eau chaude savonneuse. Pour les résidus plus difficiles, vous pouvez frotter la plaque avec du gros sel et rincer abondamment avec de l'eau propre. Le bac à graisse comporte un revêtement antiadhésif qui peut être nettoyé à la main à l'aide d'eau chaude savonneuse ou qui peut être nettoyé au lave-vaisselle. N'utilisez pas d'objets tranchants ou de grattoirs, car cela pourrait endommager les surfaces.

SURFACES EXTÉRIEURES

Ne laissez pas les taches alimentaires ou le sel rester en contact avec les surfaces en acier inoxydable trop longtemps. Toutes les surfaces extérieures en acier inoxydable peuvent être nettoyées avec de l'eau chaude savonneuse ou avec un certain nombre de nettoyeurs commerciaux pour acier inoxydable. Assurez-vous que les nettoyeurs ne contiennent pas de chlore ou de composés chlorés car ils sont corrosifs pour l'acier inoxydable. Rincez bien.

NETTOYANTS SUGGÉRÉS:

Eau chaude et détergent doux
Fantastik®

TOUJOURS nettoyer l'acier inoxydable dans le sens du grain avec une légère pression.

Si votre appareil Hestan a des panneaux de couleur, utilisez UNIQUEMENT de l'eau chaude savonneuse. Rincez et séchez soigneusement.

Attendez que l'appareil ait complètement refroidi avant d'utiliser des nettoyeurs de type aérosol. Beaucoup de ces nettoyeurs utilisent des gaz de propulsion inflammables qui pourraient s'enflammer en présence de chaleur.

GUIDE DE DÉPANNAGE

SYMPTÔME	CAUSE POSSIBLE	SOLUTION
L'appareil ne fonctionne pas (éclairage des boutons, pas d'étincelles)	Le cordon d'alimentation n'est pas branché, la prise n'est pas sous tension ou le disjoncteur s'est déclenché.	Vérifiez le disjoncteur. Appelez un réparateur pour d'autres problèmes.
Le brûleur ne s'allume pas.	L'alimentation en gaz n'est pas activée / le robinet d'arrêt est fermé. Le cordon d'alimentation n'est pas branché, la prise n'est pas sous tension ou le disjoncteur s'est déclenché. Les orifices du brûleur à proximité de l'allumeur ou l'allumeur lui-même sont obstrués ou encrassés. La chapeau du brûleur n'est pas bien en place sur la base. Valve de brûleur défectueuse ou obstruée. Orifice incorrect ou orifice bouché. Allumeur défectueux (pas d'étincelles). Pression insuffisante de l'alimentation en gaz à l'unité. Le detendeur est défectueux ou est mal installé.	Vérifiez le robinet d'arrêt. Vérifiez le disjoncteur. Appelez un réparateur pour d'autres problèmes. Nettoyez les orifices du brûleur / allumeur. Vérifiez la mise en place du chapeau du brûleur. Appelez un réparateur.
Le brûleur ne reste pas allumé.	Les orifices du brûleur sont obstrués ou encrassés. L'évent du detendeur est bouché ou celui-ci est mal installé. Basse pression de gaz.	Nettoyez les orifices du brûleur / allumeur. Appelez un réparateur.
Le brûleur ne fonctionne pas bien / flamme faible ou jaune.	Les orifices du brûleur sont obstrués ou encrassés. Mauvaise combustion, mélange air-combustible mal réglé. Pression de gaz incorrecte / detendeur incorrect.	Nettoyez les orifices du brûleur / allumeur. Appelez un réparateur.
Odeur de gaz.	Le brûleur s'est éteint ou ne s'est pas allumé. La chapeau du brûleur n'est pas bien en place sur la base. Les orifices du brûleur sont obstrués ou encrassés. Conduite de gaz desserrée ou rompue. Rupture du detendeur. Mauvaise combustion, mélange air-combustible mal réglé.	Rallumez le brûleur. Vérifiez la mise en place du chapeau du brûleur. Nettoyez les orifices du brûleur / allumeur. Fermez le robinet d'arrêt et appelez un réparateur.

LISTE DES PIÈCES

Visiter le site Web Hestan pour consulter la liste des pièces de ce produit:
www.hestanhome.com.

SERVICE

Toutes les réparations dans le cadre ou en dehors de la garantie doivent être effectuées par du personnel d'entretien qualifié. Pour localiser un réparateur agréé dans la région, s'adresser au concessionnaire Hestan, au représentant local, ou Hestan. Avant d'appeler, veiller à avoir les numéros de modèle et de série à portée de la main.

Hestan Commercial Corporation
3375 E. La Palma Avenue
Anaheim, CA 92806
(888) 905-7463

GARANTIE LIMITÉE

ÉLÉMENTS COUVERTS PAR LA PRÉSENTE GARANTIE LIMITÉE :

Hestan Commercial Corporation (« HCC ») garantit à l'acheteur initial d'un appareil de cuisson Hestan (le « Produit ») chez un revendeur agréé HCC que le Produit ne présente aucun vice de matériaux ni de fabrication pendant une période de trois (3) ans à compter de la date de l'achat initial au détail ou de la date de clôture en cas de construction neuve, la période la plus longue prévalant (« Période de Garantie Limitée »). HCC accepte de réparer ou de remplacer, à sa seule discrétion, tout composant ou pièce du Produit dont la défaillance est due à des vices de matériaux ou de fabrication pendant la Période de Garantie Limitée. La présente Garantie Limitée n'est pas transférable et n'est offerte à personne d'autre que l'acheteur initial au détail (« Acheteur »). La présente Garantie Limitée n'est valable que pour les Produits qui sont (i) achetés et reçus d'un revendeur agréé HCC, (ii) livrés après achat à un consommateur, et (iii) par la suite demeurent, dans les 50 États-Unis, le district de Colombie ou au Canada. Les événements qui entraînent l'annulation de cette garantie comprennent l'achat ou la prise de livraison ou le déplacement de produits vers n'importe quel endroit en dehors des 50 États-Unis, du District de Columbia ou du Canada. La présente Garantie Limitée ne s'applique qu'aux Produits destinés à un usage non-commercial, et ne s'étend pas aux produits utilisés à des fins commerciales.

MARCHE À SUIVRE POUR UNE RÉPARATION AU TITRE DE LA GARANTIE :

En cas de défaillance du Produit pendant la Période de Garantie Limitée pour des raisons couvertes par la présente Garantie Limitée, l'Acheteur doit contacter immédiatement le revendeur auprès duquel il a acheté le Produit ou HCC au 888.905.7463.

Il incombe à l'Acheteur de rendre le Produit raisonnablement accessible aux fins de réparation ou de défrayer la mise à disposition raisonnable du Produit aux fins de réparation. La réparation sera effectuée pendant les heures d'ouverture normales du Centre de réparation agréé par Hestan. Dans la mesure où l'Acheteur demande une réparation en dehors des heures d'ouverture normales du Centre de réparation agréé par Hestan, l'Acheteur devra déboursier la différence entre le tarif normal et celui des heures supplémentaires ou des primes. L'Acheteur doit régler tous les frais de déplacement excédants 80 km [50 milles] (dans un sens) par rapport au Centre de réparation le plus près agréé par Hestan.

PROLONGATION DE LA PÉRIODE DE GARANTIE LIMITÉE DE TROIS ANS :

En plus de la garantie limitée de trois ans, les composants qui suivent bénéficient d'une prolongation de la garantie comme expressément énoncé ci-après:

GARANTIE LIMITÉE (SUITE)

1. Les brûleurs à gaz (hormis leur aspect extérieur), les éléments chauffants électriques, les moteurs de ventilateurs (hottes de ventilation), les tableaux de commande électronique, les magnétrons et les génératrices asynchrones (le cas échéant) du produit sont garantis exempts de vices de matériaux et de fabrication dans des conditions normales d'utilisation non commerciale et de réparation pendant une période de cinq (5) ans au profit de l'acheteur initial. Cela exclut la corrosion superficielle, les rayures et la décoloration susceptibles de se produire pendant une utilisation normale et se limite au remplacement de la ou des pièces défectueuses, tous les autres frais, y compris ceux de la main-d'œuvre, de transport et de manutention, le cas échéant, étant à la charge de l'acheteur.

ÉLÉMENTS NON COUVERTS PAR LA PRÉSENTE GARANTIE LIMITÉE :

La présente Garantie Limitée ne couvre pas ce qui suit et exclut toute responsabilité financière de HCC relatives à : tous dommages ou vices affectant tout Produit non acheté chez un revendeur agréé HCC; variations de coloris dans la finition ou autres dommages esthétiques; panne ou dommages dus à une utilisation abusive ou erronée, un accident, un incendie, une catastrophe naturelle, un usage commercial du Produit, une interruption de l'alimentation électrique ou en gaz du Produit; dommages résultant d'une modification, d'une installation ou utilisation inappropriée du Produit; dommages résultant de la réparation ou du remplacement incorrect ou sans autorisation de tout composant ou pièce du Produit; dommages résultant d'un service après-vente assuré par quiconque autre qu'un agent ou représentant agréé du réseau commercial de Hestan; usure normale et détérioration; dommages résultant de l'exposition du Produit à une atmosphère corrosive contenant du chlore, du fluor ou toute autre substance chimique nuisible; dommages résultant de l'absence d'un entretien normal du Produit; dommages dont HCC n'a pas été avisé ou qui se sont produits après l'expiration de la Période de Garantie Limitée; dommages accessoires et indirects causés par tout vice de matériaux ou de fabrication.

ARBITRAGE :

La présente Garantie Limitée est régie par la Loi fédérale sur l'arbitrage. Tout litige opposant l'Acheteur à HCC et relatif au Produit ou à la présente Garantie Limitée doit être résolu par voie d'arbitrage exécutoire exclusivement sur une base individuelle avec l'acheteur. L'arbitrage sera effectué par l'Association Américaine d'Arbitrage (American Arbitration Association, « AAA ») conformément à ses règles d'arbitrage pour la protection du consommateur ou par JAMS. L'audience d'arbitrage se tiendra devant un arbitre nommé par l'AAA ou par JAMS. L'arbitre ne devra procéder à aucun arbitrage collectif et l'acheteur devra renoncer à tout recours contre HCC en qualité de représentant de tiers.

LIMITATION DE RESPONSABILITÉ :

La présente Garantie Limitée constitue l'accord définitif, intégral et exclusif entre HCC et l'acheteur relativement au Produit.

IL N'EXISTE AUCUNE GARANTIE EXPRESSE AUTRE QUE CELLES ÉNUMÉRÉES ET DÉCRITES CI-DESSUS. AUCUNE GARANTIE EXPRESSE OU IMPLICITE, Y COMPRIS SANS S'Y LIMITER, TOUTE GARANTIE IMPLICITE DE QUALITÉ MARCHANDE OU D'ADAPTATION À UN USAGE PARTICULIER NE S'APPLIQUERA APRÈS L'EXPIRATION DE LA PÉRIODE DE GARANTIE LIMITÉE INDIQUÉE CI-DESSUS. AUCUNE GARANTIE EXPRESSE APPLICABLE À CE PRODUIT OFFERTE PAR UNE PERSONNE OU ENTREPRISE QUELCONQUE N'ENGAGERA HCC. HCC NE GARANTIT EN AUCUNE FAÇON L'ADAPTATION DU PRODUIT À UN USAGE PARTICULIER, SAUF DISPOSITION CONTRAIRE DE LA LÉGISLATION APPLICABLE. HCC N'ASSUME AUCUNE RESPONSABILITÉ POUR TOUT MANQUE À GAGNER, IMPOSSIBILITÉ DE RÉALISER DES ÉCONOMIES OU AUTRES AVANTAGES NI POUR TOUT AUTRE DOMMAGE PARTICULIER, DIRECT OU INDIRECT CAUSÉ PAR L'UTILISATION, L'USAGE ABUSIF OU L'INCAPACITÉ D'UTILISER CE PRODUIT, QUELLE QUE SOIT LA THÉORIE JURIDIQUE SUR LAQUELLE SE FONDE LA DEMANDE, MÊME SI HCC EST INFORMÉ DE LA POSSIBILITÉ DE TELS DOMMAGES. AUCUN RECOUVREMENT AUPRÈS DE HCC NE SERA SUPÉRIEUR AU PRIX D'ACHAT DU PRODUIT. SANS LIMITER LA PORTÉE DE CE QUI PRÉCÈDE, VOUS ASSUMEZ TOUS LES RISQUES ET LA RESPONSABILITÉ DES PERTES, DOMMAGES OU BLESSURES ET DÉGÂTS MATÉRIELS SUBIS PAR VOUS-MÊMES ET DES TIERS RÉSULTANT DE L'UTILISATION, DE L'USAGE ABUSIF OU DE L'INCAPACITÉ D'UTILISER CE PRODUIT, QUI NE SONT PAS CAUSÉS

GARANTIE LIMITÉE (SUITE)

DIRECTEMENT PAR LA NÉGLIGENCE DE HCC. LA PRÉSENTE GARANTIE LIMITÉE ÉNONCE VOTRE RECOURS EXCLUSIF.

Aucune déclaration ni aucun engagement verbal ou écrit de la part de qui que ce soit, y compris sans s'y limiter un employé, représentant ou agent de HCC, ne créera une garantie ni élargira en quoi que ce soit la portée de la présente Garantie Limitée expresse de trois ans. En cas de divergence entre la présente Garantie Limitée et tout autre accord ou déclaration lié ou relatif au Produit, cette Garantie s'appliquera alors. Si une disposition quelconque de la présente Garantie Limitée est déclarée invalide ou inapplicable, elle sera réputée modifiée dans la limite nécessaire pour la rendre applicable et le reste de la Garantie Limitée restera valide et applicable selon ses modalités.

INTERACTION ENTRE CERTAINES LOIS ET LA PRÉSENTE GARANTIE LIMITÉE :

Il est possible que certains États, provinces et territoires n'autorisent pas la limitation de durée d'une garantie implicite ni l'exclusion ou la restriction des dommages directs ou indirects. Les limitations ou exclusions qui précèdent peuvent par conséquent ne pas être applicables. Il est possible que certains États, provinces ou territoires prévoient d'autres droits et recours en matière de garantie. Les dispositions de la présente Garantie Limitée n'ont pas pour but de limiter, modifier, restreindre, nier ni exclure les conditions obligatoires de garantie prévues par des États, provinces ou territoires, y compris certaines garanties implicites. La présente garantie confère des droits précis, auxquels peuvent s'ajouter d'autres droits qui varient selon le lieu.

Toute question relative à la présente Garantie Limitée peut être adressée à
Hestan Commercial Corporation au (888) 905-7463

FR

**RETAIN THIS MANUAL FOR FUTURE REFERENCE
CONSERVEZ CE MANUEL POUR UNE RÉFÉRENCE FUTURE**



Hestan Commercial Corporation

3375 E. La Palma Ave
Anaheim, CA 92806
(888) 905-7463