



INDOOR COOKING

All-Gas Range
KRG

Use & Care Manual

 HESTAN

▲WARNING

IF THE INFORMATION IN THIS MANUAL IS NOT FOLLOWED EXACTLY, A FIRE OR EXPLOSION MAY RESULT CAUSING PROPERTY DAMAGE, PERSONAL INJURY, OR DEATH.

Do not store or use gasoline or other flammable vapors and liquids in the vicinity of this or any other appliance.

WHAT TO DO IF YOU SMELL GAS:

1. Do not try and light any appliance.
2. Do not touch any electrical switch.
3. Do not use any phone in your building.
4. Immediately call your gas supplier from a neighbor's phone. Follow the gas supplier's instructions.
5. If you cannot reach your gas supplier, call the fire department.

Installation and service must be performed by a qualified installer, service agency, or the gas supplier.

READ THESE INSTRUCTIONS CAREFULLY AND COMPLETELY BEFORE INSTALLING OR USING YOUR APPLIANCE TO REDUCE THE RISK OF FIRE, BURN HAZARD, OR OTHER INJURY. KEEP THIS MANUAL FOR FUTURE REFERENCE.

SAFETY DEFINITIONS

▲WARNING

THIS INDICATES THAT DEATH OR SERIOUS INJURY MAY OCCUR AS A RESULT OF NOT OBSERVING THIS WARNING.

▲CAUTION

THIS INDICATES THAT MINOR OR MODERATE INJURY MAY OCCUR AS A RESULT OF NOT OBSERVING THIS WARNING.

NOTICE

THIS INDICATES THAT DAMAGE TO THE APPLIANCE OR PROPERTY MAY OCCUR AS A RESULT OF NOT OBSERVING THIS WARNING.

INSTALLER: LEAVE THIS MANUAL WITH THE OWNER OF THE APPLIANCE.
HOMEOWNER: RETAIN THIS MANUAL FOR FUTURE REFERENCE.

▲WARNING

TIP OVER HAZARD

A child or adult can tip over a range and be killed.

Check installation of the anti-tip device per the Installation Manual.
Do not operate the range without this device in place.

Check engagement of anti-tip device if range is moved, such as when cleaning behind the unit.

To check engagement, carefully tip the range forward while pulling from the rear of the unit. The range should not move more than 1 inch [2.5cm].

Failure to follow these instructions can result in death or serious burns to children and adults.

To reduce the risk of burns, do not move this appliance while hot.



Message from Hestan

Hestan's award-winning culinary innovations and purpose-built features reinvented the restaurant kitchen and redefined culinary experience in some of America's most acclaimed restaurants. Hestan now takes this performance from the back of the house and puts it front and center in yours. Thoughtfully designed and meticulously built, Hestan will serve you beautifully for years to come.

Hestan is the only residential brand born from the dreams and demands of professional chefs. From ranges to refrigeration, every detail is designed to deliver the performance and reliability expected in a restaurant – now available for you.

We appreciate you choosing Hestan, and we promise to deliver the very best to you.

Welcome to Hestan



TABLE OF CONTENTS

3	SAFETY PRECAUTIONS - BEFORE YOU BEGIN
8	MODEL NUMBERS
9	RATING LABEL
9	REGULATORY / CODE REQUIREMENTS
10	GETTING STARTED WITH YOUR APPLIANCE
15	USING THE RANGETOP
17	USING THE GRIDDLE (<i>SOME MODELS</i>)
18	USING THE OVEN
21	OVEN CONTROLS
26	ADDITIONAL ITEMS
27	CARE & MAINTENANCE
31	TROUBLESHOOTING GUIDE
32	PARTS LIST
32	SERVICE
32	LIMITED WARRANTY

EN

SAFETY PRECAUTIONS - BEFORE YOU BEGIN

When properly cared for, your Hestan appliance will provide safe, reliable service for many years. When using this appliance, basic safety practices must be followed as outlined below.

INSTALLER: Please leave these Installation Instructions with the owner.

OWNER: Please retain these Installation Instructions for future reference.

This range is designed for residential use only. It is NOT designed for installation in manufactured (mobile) homes or recreational park trailers. Do NOT install this range outdoors.

⚠️ WARNING

ELECTRICAL SHOCK HAZARD

Disconnect power before installing or servicing appliance. Before turning power ON, be sure all controls are in the OFF position. Failure to do so can result in electrical shock or death.



ELECTRICAL GROUNDING

This appliance must be grounded. Grounding reduces the risk of electric shock in the event of a short circuit. Read the ELECTRICAL CONNECTIONS section of the Installation Manual for complete instructions.

This appliance is equipped with a 3-prong grounding plug for your protection against shock hazard and should be directly plugged into a properly grounded receptacle. Do not cut or remove the grounding prong from this plug.

SAFETY PRECAUTIONS - BEFORE YOU BEGIN (CONTINUED)

ELECTRICAL SUPPLY

This appliance must be connected to a dedicated circuit, 120 VAC, Single Phase, 60 Hz, with a current rating as shown in the model number listing on pg. 8. Have the installer show you where the electric circuit breaker is located so you know how to shut off the power to this appliance. It is the responsibility of the user to have the appliance connected by a licensed electrician in accordance with all local codes, or in the absence of local codes, in accordance with the National Electrical Code. Read the ELECTRICAL CONNECTIONS section of the Installation Manual for complete details.

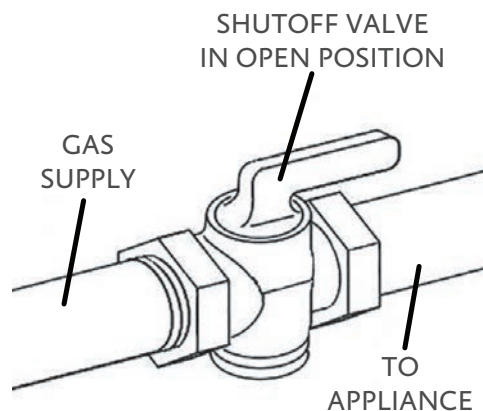
GAS SUPPLY

A gas shut-off valve must be located in an easily accessible location for servicing of the range. Make sure all users of the range know where this shut-off is located, and how to shut off the gas.

The type of gas should be verified prior to installation and operation of this appliance. It is the responsibility of the user to have the appliance connected by a licensed plumber in accordance with all local codes, or in the absence of local codes, in accordance with the National Fuel Gas Code.

When connecting to LP gas, verify the tank is equipped with its own high pressure regulator. The pressure of the gas supplied to the appliance must be 11-14 inch WC [2.74-3.48 kPa]. Consult the Installation Manual for details on gas type, gas pressure, connection and leak testing instructions, etc.

Read the GAS CONNECTIONS section of the Installation Manual for complete details.



CONVERSION KITS

In the event your Hestan appliance needs to be converted from NG to LP, or vice-versa, you will need to contact Hestan Customer Service to arrange a service call. This conversion should only be performed by a qualified technician.

HIGH ALTITUDE KITS

If you live in a high altitude area, 2,000 ft. [610 m] or more above sea level, your appliance may require different orifices for proper combustion and performance. You will need to contact Hestan Customer Service to arrange a service call. High Altitude kits must be installed by a qualified technician. Please have your model and serial number information ready when you call.

BACKGUARD

Your Hestan range is supplied at the factory with an Island Trim backguard. See Table 1 in the APPENDIX section of the Installation Manual for other backguard options available from your Hestan dealer, or visit www.hestanhome.com. Selection of the appropriate backguard depends on the installation location and adjacent materials, and the type of vent hood to be used. Installation instructions are included with the backguard kit. **A LOW OR TALL BACKGUARD IS REQUIRED WHEN INSTALLING THE RANGE AGAINST A COMBUSTIBLE SURFACE - THE ISLAND TRIM IS NOT SUITABLE.**

▲ CAUTION

The top of the backguard serves as an exhaust for the oven when in operation, and as an exhaust vent to remove heat from under the rangetop section of the range as well. **DO NOT BLOCK** or obstruct the top of the backguard. **DO NOT** touch the top of the backguard during appliance operation as it may get hot. Allow sufficient time to cool before touching or cleaning this area. **DO NOT** position plastic or other heat-sensitive items nearby which could melt or burn.

SAFETY PRECAUTIONS - BEFORE YOU BEGIN *(CONTINUED)*

EN

VENTILATION REQUIREMENTS

It is strongly recommended that this appliance be installed with a Hestan vent hood. Hestan vent hoods have been matched up to the BTU output of the range. Due to the high heat output of this range, it is very important that the hood and ductwork installation meets local building codes and is installed by a qualified technician.

Do not use a down-draft style ventilation system.

Do not mount a microwave oven/ventilator combination above the range. These types of units do not have sufficient airflow to remove the high heat output of this range and were not tested with this type of appliance.

Consult the Installation Manual for further details.

CONSULT WITH YOUR HESTAN DEALER ON SELECTING THE APPROPRIATE VENT HOOD FOR YOUR HESTAN APPLIANCE.

▲WARNING

IN CASE OF POWER OUTAGE

All the control knobs must be in the OFF position to prevent unintended operation at power up. To ensure customer safety in the event of a power failure, the range will signal an error by blinking the backlights of one or more knobs when the power is restored unless all the knobs are in the OFF position. Set all the knobs to OFF, then resume operation.

DO NOT ATTEMPT TO USE THE RANGE DURING A PROLONGED POWER FAILURE. Although the top burners can be manually lit, they should be used **ONLY WHILE BEING ATTENDED BY THE USER.** On low burner settings, if the flame were to go out, a dangerous accumulation of gas could result in an explosion.

▲CAUTION

CHILD SAFETY

IT IS THE RESPONSIBILITY OF THE PARENTS OR GUARDIANS TO ENSURE CHILDREN ARE INSTRUCTED IN THE SAFE USE OF THIS APPLIANCE. Do not allow children to use this appliance without adult supervision. Do not allow children to play in or around the appliance, even when not in use. Items of interest to children should not be stored in or on the appliance, in cabinets above, or on the backguard of the appliance. Children climbing on the appliance could be seriously injured.

▲WARNING

BURN HAZARD - All parts of the range can get very hot during operation. The oven door glass and areas surrounding the door get especially hot. Do not let children touch the appliance while in operation. Failure to observe these instructions may result in severe burns or injury.

TECHNICAL SAFETY

Installation and service on this appliance must be performed by a qualified appliance installer, or a Hestan authorized service technician. Do not repair or replace any part of the appliance unless specifically instructed to do so. Defective parts must only be replaced with genuine Hestan parts. Contact Hestan Customer Service for inquiries or to arrange a service call.

The appliance must be disconnected from the power and gas supply during any service or maintenance work.

Do not carry or lift the range by the oven handle. The range can only be lifted from the sides.

SAFETY PRECAUTIONS - BEFORE YOU BEGIN *(CONTINUED)*

USER SAFETY

▲WARNING

BURN HAZARD - All parts of the range can get very hot during operation, especially the oven door glass and areas surrounding the door. Do not touch the appliance while in operation. Failure to observe these instructions may result in severe burns or injury. Use pot holders / gloves to protect yourself when placing food in the oven, adjusting the racks, etc.

The broil burner is in the top of the oven cavity, and the bake burner is hidden beneath the floor of the oven cavity. These burners may be hot, even though they are not glowing. During or after cooking, allow sufficient time for all surfaces to cool.

Use only dry or heat-resistant pot holders / gloves. Using moist or damp potholders can result in steam burns. Do not substitute dish towels or similar items for potholders. These items could come in contact with hot surfaces and ignite.

Avoid wearing loose-fitting garments or long sleeves while cooking. They could ignite. For personal safety, wear proper apparel while using the appliance. Some synthetic fabrics are highly flammable and should not be worn while cooking.

Open the oven door slowly to allow heat and steam to escape before placing or removing food from the oven. Keep your face away from the opening to avoid injury.

▲WARNING

For safety considerations, NEVER use this appliance as a space heater to heat or warm the room. Doing so may result in carbon monoxide poisoning and overheating of the oven.

Do not use the oven as a storage space. The high temperatures could also ignite flammable objects nearby.

▲WARNING

NEVER cover any slots, holes, or passages in the oven bottom or cover an entire oven rack with materials such as aluminum foil. Doing so blocks air flow through the oven and may cause carbon monoxide poisoning. Aluminum foil linings may also trap heat, causing a fire hazard. Do not use aluminum foil to line the surface burners. Doing so may result in a risk of electric shock, or fire.

Do not allow anyone to climb, stand, step on, lean against, or sit on any part of the appliance, especially the oven door. This may result in damage to the appliance, or personal injury.

FIRE SAFETY

To reduce the risk of a fire, do not leave surface burners unattended at high settings. Boil-overs could smother the flames and igniter, which would allow un-burned gas to escape into the room, which could result in an explosion.

Always turn on the ventilation hood when cooking. Clean vent hood grease filters frequently - grease should not be allowed to accumulate on the fan or filters.

Use the appropriate pan size for the burner being used. For safety considerations, adjust the flame size so they do not travel up the sides of the pan.

Keep the appliance area clear and free from combustible materials, gasoline, and other flammable vapors and liquids. NEVER store flammable liquids and materials in, above, or on the range, or near cooking surfaces. Do not obstruct the flow of combustion and ventilation air of the appliance.

ALWAYS have a working smoke detector near the kitchen.

SAFETY PRECAUTIONS - BEFORE YOU BEGIN *(CONTINUED)*

EN

ALWAYS have an appropriate dry-chemical fire extinguisher nearby. Smother fire or flames using the lid of the utensil (pot or pan), a cookie sheet or metal tray. Then shut off the burner. Use an extinguisher, or baking soda if the fire is small and relatively contained. **DO NOT USE WATER ON A GREASE FIRE.** Doing so may result in spreading the fire elsewhere.

NEVER pick up a flaming pan. You may spill the grease on yourself and be severely burned.

If accessible, turn off the ventilation hood during a fire, but do not reach through the flames to do this.

In the event of personal clothing or hair catching fire, drop and roll immediately to smother the flames. Seek medical attention if necessary.

Do not hang articles from any part of the appliance or place anything against the oven door. Some fabrics are highly flammable and could ignite.

IF THE FLAMES DO NOT GO OUT - EVACUATE AND CALL THE FIRE DEPARTMENT.

SAFETY DURING CLEANING

Only clean the appliance as directed in the CLEANING & MAINTENANCE section of this manual.

Do not use a steam cleaner to clean the oven or any part of the range. Steam could penetrate into electrical components and cause a short circuit and/or shock hazard.

Do not use abrasive cleaners, hard objects such as brushes or scrapers, or sharp metal tools to clean the door glass. Scratches could cause the glass to shatter.

Do not rub, disturb or damage the cloth-braided door gasket. If the gasket is damaged, it will need to be replaced.

Do not pour cold water onto hot surfaces inside the oven. The steam could cause serious burns. The sudden temperature change could also distort the metal surfaces inside the oven resulting in cracks in the enamel.

Use only a small toothbrush to clean the burner ports and igniter of the surface burners. Do not insert sharp objects or scratch the burner ports.

Wait until the appliance is completely cool before using any aerosol-type cleaners. Many of these cleaners use flammable propellants which could ignite in the presence of heat.

PROPER USAGE

Do not let food sit in the oven for more than one hour before or after cooking. Doing so may result in food poisoning or illness.

Do not heat unopened containers (cans or jars) in the oven. Pressure may build up causing the container to explode, resulting in damage to the oven or personal injury.

Always place the oven racks at the desired height before cooking. If the racks must be moved when hot, use potholders to move them and use caution to avoid touching any heating elements.

Only certain types of glass, heatproof glass-ceramic, earthenware, or other glazed utensils are suitable for use on the surface burners. However, these types of materials may break with sudden temperature changes. Use only on low or medium heat settings, and according to their manufacturers' directions.

Bakeware, such as large casserole pans, cookie sheets, etc. should not be used on the surface burners. Large griddle plates that span across 2 burners should be used with care and on medium to low flame settings to avoid a build-up of heat which could distort the grates or the burner bowl.

Always position the handles of pot and pans so they do not extend over adjacent work areas or over the edge of the rangetop. This is to avoid knocking over hot contents which could burn you, or result in a fire.

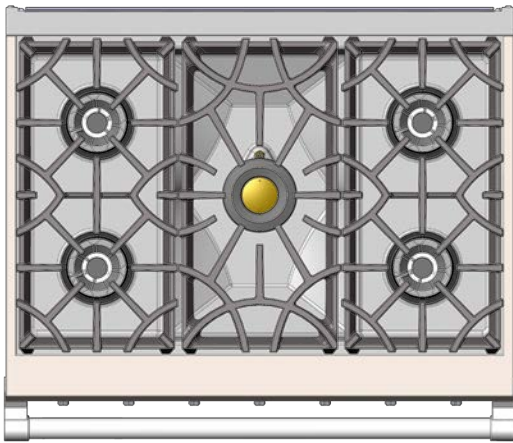
Do not use pots or pans on the griddle (if equipped).

MODEL NUMBERS

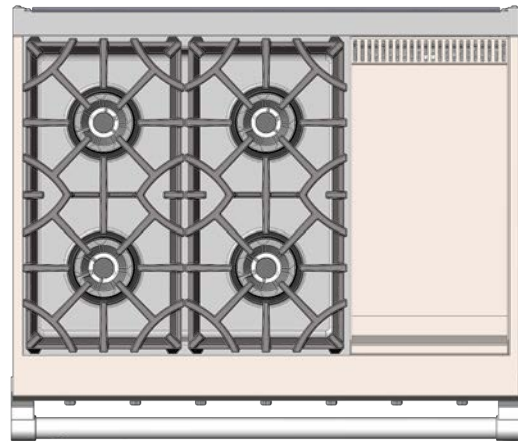
RANGE MODELS

EN

MODEL NO.	DESCRIPTION	CIRCUIT BREAKER REQUIRED
KRG365-NG / -LP	36" ALL-GAS RANGE WITH 5 BURNERS	15 Amp
KRG364GD-NG / -LP	36" ALL-GAS RANGE WITH 4 BURNERS & GRIDDLE	15 Amp



KRG365



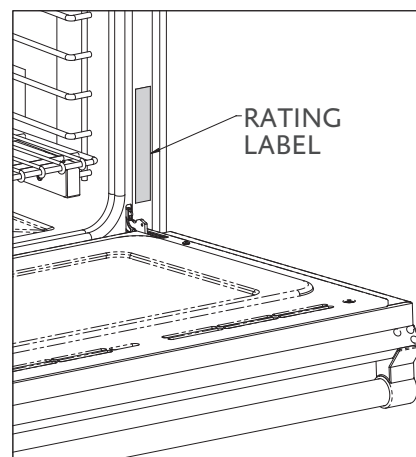
KRG364GD

RATING LABEL

The rating label contains important information about your Hestan appliance such as the model and serial number, gas type and manifold pressure, electrical rating, the BTU rating for each burner type, and the minimum installation clearances.

The rating label is located on the right side of the oven cavity opening near the door hinge.

If service is necessary, contact Hestan Customer Care with the model and serial number information shown on the label.



EN

HESTAN COMMERCIAL CORP. ANN ARBOR, MI, USA		MODEL / MODELE		SER. NO. / NO. SER.		PATENTED: http://www.hestanhome.com/patents.pdf	
VOLTS Hz 60 PHASE 1 AMPS		BURNER RATINGS (BTU/HOUR)				MIN. CLEARANCES - DÉGAGEMENTS	
OUTLET PRESSURE (PSI/PSI SOURCE) INCH W.C. kPa		FRONT BURNER BRÛLEUR AVANT	REAR BURNER BRÛLEUR ARRIÈRE	GRIDDLE PLAQUE CHAUFFANTS	UPPER BURNER BRÛLEUR FOUR SUPÉRIEUR	LOWER BURNER BRÛLEUR FOUR INFÉRIEUR	CONSUMABLE CONSOMMABLE
							12" 0" 12" 0"
						CONFORMS TO ANSI STD Z21.1-2016 - CSA 1.1-2016 HOUSEHOLD COOKING GAS APPLIANCE CONFORME À LA NORME ANSI Z21.1-2016 - CSA 1.1-2016 APPAREIL ÉLECTROMÉNAGER DE CUISSON AU GAZ VENTED UNIT - SEE INSTALLATION MANUAL UNITÉ VENTILÉE - VOIR LE MANUEL D'INSTALLATION	
						C US	

REGULATORY / CODE REQUIREMENTS

Installation of this cooking appliance must be made in accordance with local codes. In the absence of local codes, this unit should be installed in accordance with the National Fuel Gas Code *ANSI Z223.1/NFPA 54*, Natural Gas and Propane Installation code *CSA B149.1*, or Propane Storage and Handling Code *B149.2*.

All Electrical Components must be electrically grounded in accordance with local codes or in the absence of local codes with the National Electrical Code *ANSI/NFPA 70*, or Canadian Electrical code *CSA C22.1*.

STATE OF MASSACHUSETTS

Massachusetts requires all gas be installed using a plumber or gas fitter carrying the appropriate Massachusetts license. All permanently installed natural gas or propane installations require a T-handle type manual gas valve be installed in the gas supply line to this appliance. Flexible gas connector must not be longer than 48" [1.2 m].

CALIFORNIA PROPOSITION 65 - WARNING



WARNING This product can expose you to chemicals including carbon monoxide, which is known to the State of California to cause cancer.

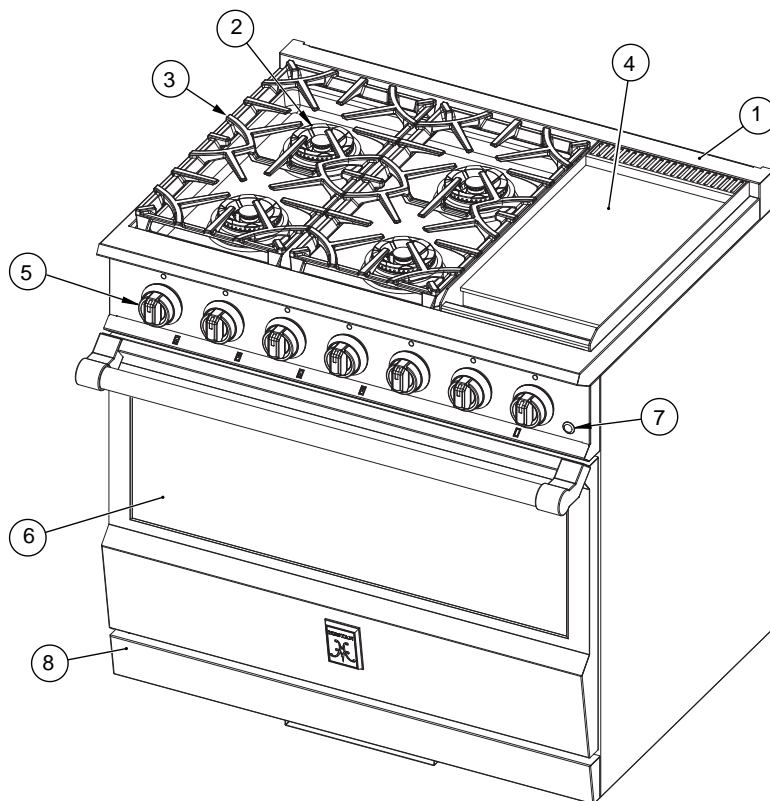
For more information, go to www.P65Warnings.ca.gov.

GETTING STARTED WITH YOUR APPLIANCE

COMPONENT IDENTIFICATION

Use the images below to familiarize yourself with the various parts of the rangetop and oven.

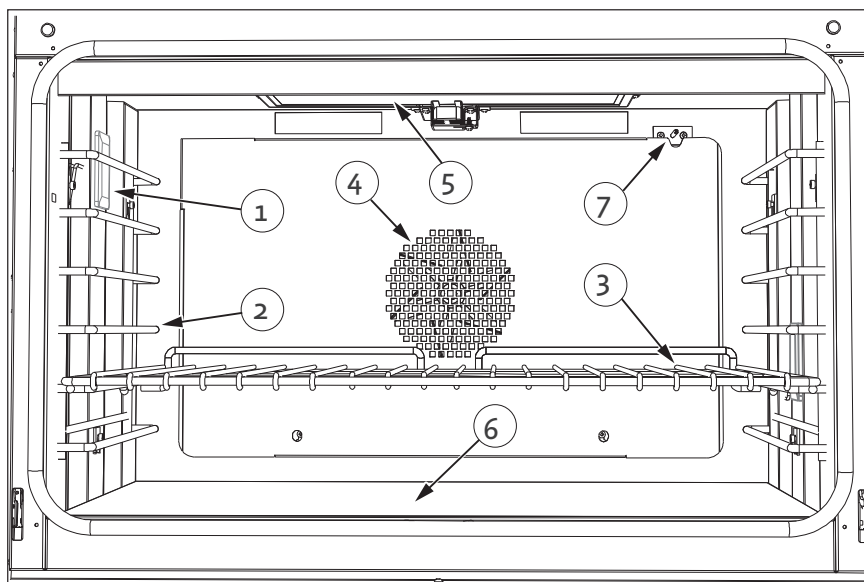
- 1. Island Trim Backguard (included)*
- 2. Sealed Burner
- 3. Burner Grate
- 4. Griddle (GD models)
- 5. Control Knobs
- 6. Oven
- 7. Oven Light Switch
- 8. Kick Plate



* Low or Tall Backguard ordered separately.

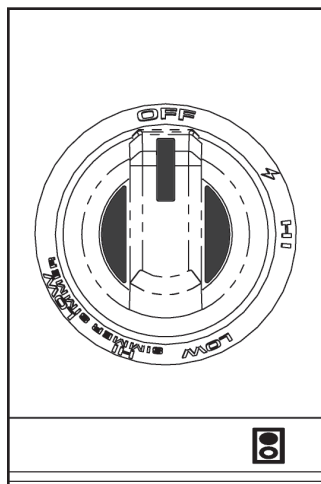
MODEL KRG364GD SHOWN

- 1. Interior Light (2)
- 2. 6 Position Ladder Rack
- 3. Oven Rack (3 included)
- 4. Fan Cover
- 5. Broil Burner
- 6. Bake Burner (hidden)
- 7. Temperature Sensor



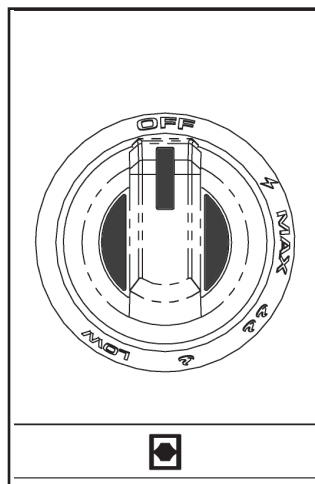
GETTING STARTED WITH YOUR APPLIANCE *(CONTINUED)*

EN



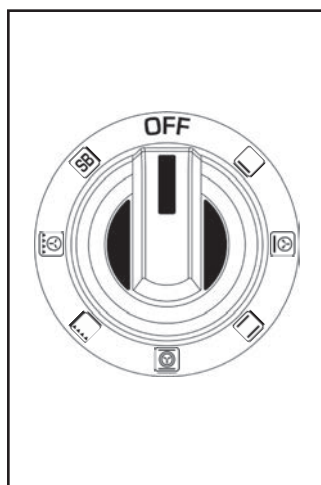
**DUAL-FLOW
BURNER**

ROTATE **LEFT** TO HI TO IGNITE BURNER. ADJUST FLAME AS NEEDED. THERE ARE 3 DETENT POSITIONS AT HI, LOW, AND HI SIMMER FOR EASE OF USE.



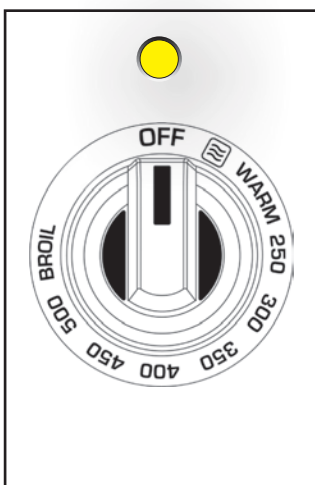
**SINGLE-FLOW
BURNER**

ROTATE **LEFT** TO MAX TO IGNITE BURNER. ADJUST FLAME AS NEEDED. THERE IS A DETENT AT THE MAX POSITION ONLY.



**OVEN MODE
SELECTOR**

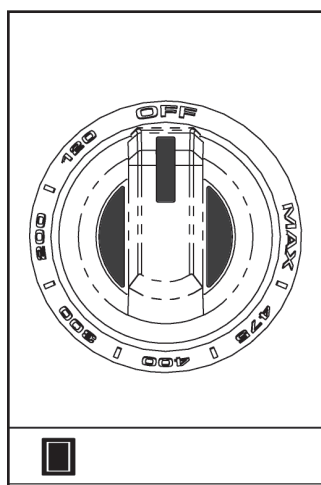
ROTATE **LEFT** OR **RIGHT** TO SELECT OVEN MODE



**OVEN
TEMPERATURE**

LED indicates one or both oven burners are active.

ROTATE **LEFT** OR **RIGHT** TO SELECT OVEN TEMPERATURE



**GRIDDLE
TEMPERATURE**

ROTATE **RIGHT** TO SELECT GRIDDLE TEMPERATURE

GETTING STARTED WITH YOUR APPLIANCE *(CONTINUED)*

OVEN RACKS

▲WARNING

BURN HAZARD - To help prevent burns, never remove or reposition the oven racks when the oven is in operation, or is cooling.

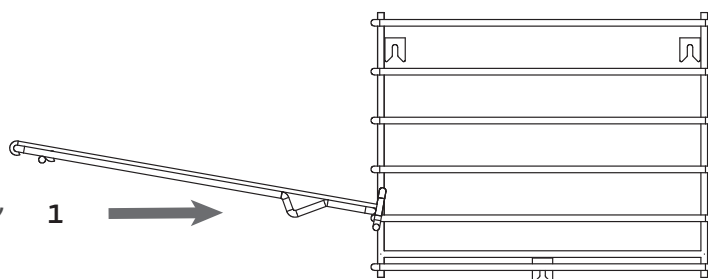
▲WARNING

For safety considerations, NEVER cover any slots, holes, or passages in the oven bottom or cover an entire oven rack with materials such as aluminum foil. Doing so blocks air flow through the oven and may cause carbon monoxide poisoning. Aluminum foil linings may also trap heat, causing a fire hazard.

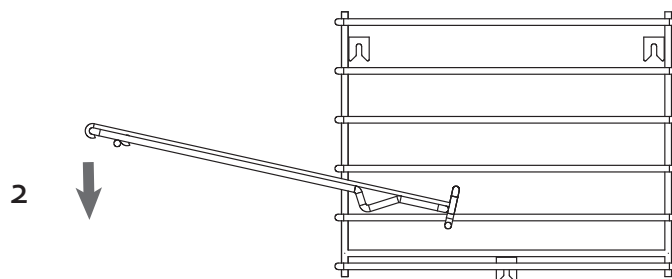
PLACING THE OVEN RACKS

The oven features ladder racks on the left and right side of the oven with 6 positions. Choose the rack position(s) that result in the best baking, roasting, etc. for your recipe. Rack position #3 (counting from the bottom-up) is the most popular position (vertical center location).

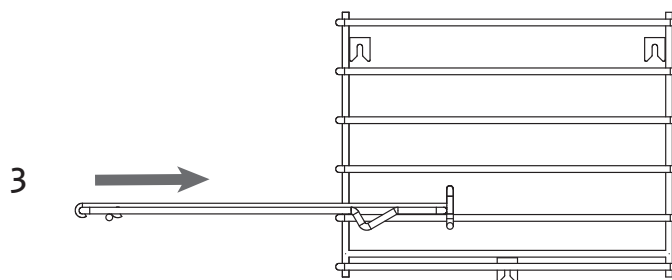
1. While raising the front of the rack slightly, place the rear lower hooks under the desired side ladder, then slide the rack back approximately 5" [13 cm].



2. Lower the rack until it is level.



3. Continue sliding the rack back into the oven until it is fully inside.

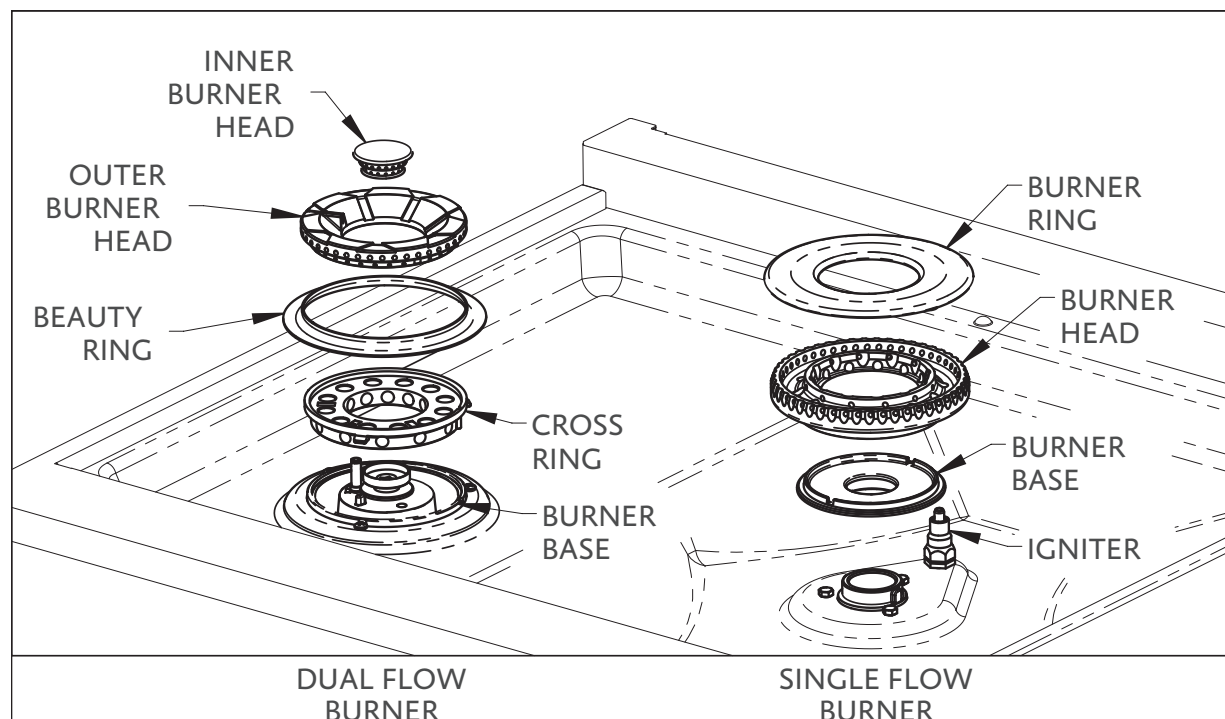


GETTING STARTED WITH YOUR APPLIANCE (CONTINUED)

SEALED BURNERS

Ensure the sealed burner heads are properly installed and seated on the burner base as shown below. There are notches on the burner base and cross ring to help with alignment. The outer burner head features a long slot on the top of the head which aligns with the spark igniter. Assembly of the single-flow burner head is similar.

EN



FIRST TIME OPERATION

Ensure there are no packaging materials inside the oven. Remove any labels or plastic film from the outside of the appliance. Before using your oven for the first time, it will be necessary to run a bake cycle to burn off any manufacturing oils and residues from the oven cavity. This may produce a little smoke and some odor. This is normal and is typical of any new oven when first used. If the smell is strong, remove persons and animals from the kitchen during this period. Open any windows to further vent the odor from the room.

Install all the oven racks. Turn on your vent hood, and run the oven on BAKE at 500°F [260°C] for 1-1/2 hours. Allow to cool completely before attempting to cook.

GETTING STARTED WITH YOUR APPLIANCE (CONTINUED)

BURNER HEADS

If the burner head is not properly positioned, one or more of the following issues may occur:

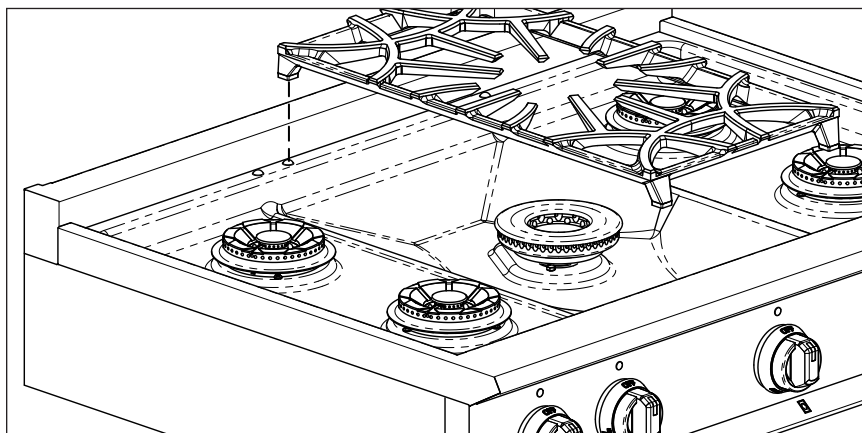
- Flames too high
- Flames shoot out of the burners
- Burners do not ignite
- Flames are uneven
- Burner emits a gas odor

▲WARNING

BURN HAZARD - To prevent burns, do not touch the burner heads or cooking grates when hot. Allow to cool completely. To prevent flare-ups, do not use the burner without all the burner heads in place and properly positioned. Do not use aluminum foil to line the surface burners. Doing so may result in a risk of electric shock, or fire.

BURNER GRATES

See image for proper placement of the burner grates. There are small round embosses at the front and rear of the burner bowl to help align the grates and keep them in position relative to one-another.



GRIDDLE PLATE

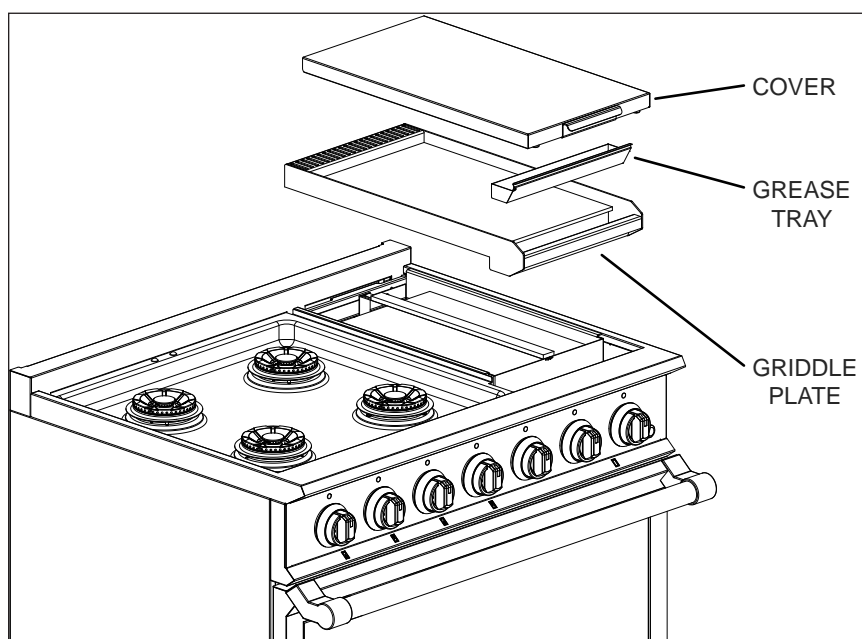
(GD models)

See image for proper placement of the Griddle Plate and Grease Tray.

▲CAUTION

Be sure to remove the cover before turning the griddle on.

The plate is made of stainless-steel and requires no seasoning. The grease tray has a non-stick coating for easy cleaning.



USING THE RANGETOP

BURNER CONTROL KNOBS

Each sealed burner has its own control knob. The symbol below each knob indicates which burner is controlled by each knob. Push and turn LEFT (counter-clockwise) to HI to ignite the flame, then turn to the desired flame setting.

EN

BURNER TYPES & OUTPUT

This table below indicates the type and output of each sealed burner. Dual-flow burners have an inner and outer row of ports, with a simmer function. The single-flow burner (some models) is similar to a commercial burner and features very high output, and a low, but no simmer function.

BURNER OUTPUT - NATURAL GAS

DUAL-FLOW (FRONT)	OUTPUT (BTU/hr)	DUAL-FLOW (REAR)	OUTPUT (BTU/hr)	SINGLE FLOW	OUTPUT (BTU/hr)
HI	23000	HI	15500	MAX	30000
LOW	4200	LOW	4200	LOW	4200
SIMMER HI	1500	SIMMER HI	1500		
SIMMER LOW	500	SIMMER LOW	500		

BURNER OUTPUT - PROPANE

DUAL-FLOW (FRONT)	OUTPUT (BTU/hr)	DUAL-FLOW (REAR)	OUTPUT (BTU/hr)	SINGLE FLOW	OUTPUT (BTU/hr)
HI	23000	HI	15500	MAX	22000
LOW	4200	LOW	4200	LOW	4200
SIMMER HI	1500	SIMMER HI	1500		
SIMMER LOW	600	SIMMER LOW	600		

RE-IGNITION

Each sealed burner has its own electronic spark-ignition module with flame-sensing technology and automatic re-ignition capability. If any burner should blow out, the igniter automatically re-lights the burner.

Each burner should light in less than 4 seconds. Once lit, the sparking will stop. On very low simmer, an occasional sparking may occur. This is usually due to a breeze in the room. If an igniter continues to spark even with a flame present, there could be an electrical wiring issue, or some other problem. See the TROUBLESHOOTING section of this manual for more information.

▲WARNING

DO NOT touch the burner or the igniters while sparking is occurring. A shock hazard or burns could occur.

MANUAL LIGHTING / POWER FAILURE

THE OVEN AND GRIDDLE CANNOT BE USED DURING A POWER FAILURE.

Each sealed burner can be manually lit in the event of a power failure. It is necessary to light each burner individually.

If a power failure occurs WHILE you are using the sealed burners, turn all the knobs to the OFF position - then light manually with a match or fireplace lighter.

Position the match or fireplace lighter at the port nearest the igniter, then turn the knob to HI until the flame is lit. Wait until the flame has lit all the way around the burner before adjusting the knob to LOW or SIMMER.

IF YOU SMELL GAS, turn all control knobs to OFF - check the precautions listed in the SAFETY section of this manual.

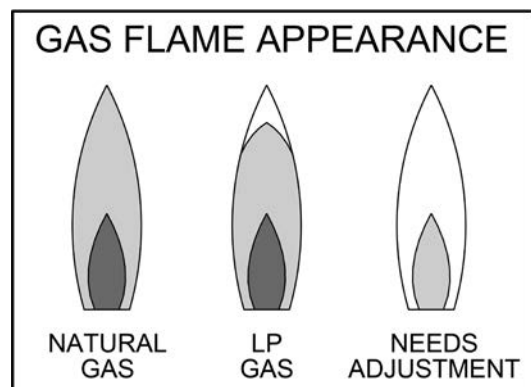
USING THE RANGETOP (CONTINUED)

FLAME HEIGHT

Proper flame height depends on the size of the pan being used, and the amount of food or liquid in the pan. In other words, don't use a small pan over a large flame. For safety reasons, control the flame height so that it doesn't go beyond, or curl up the sides of your pot or pan. This behavior results in poor heating of the contents of the pan, burnt food on the sides of the pan, wasted fuel, etc.

Use a low or medium flame on items that heat slowly, such as glass-ceramic pots.

FLAME CHARACTERISTICS



Light blue flame - Natural gas normal flame

Light blue flame with yellow tips - LP gas normal flame

Yellow flame - Needs adjustment

If the flame is mostly or completely yellow, check the position of the burner heads again for proper installation, and/or review the FINAL SETUP section of the installation manual for more details.

HOW TO USE YOUR RANGETOP

DUAL FLOW BURNERS

The benefit of the dual-flow burner is the amount of control and precision the burners give you, allowing for the best results possible.

Simmer-Low is ideal for heating delicate foods without having the fear of burning, scalding, or boiling over. Some suggestions include:

- Melting chocolate
- Heating milk or cream
- Melting sugar
- Slow cooking or braising

SINGLE FLOW BURNER (some models)

Ideal Uses:

- Searing
- Boiling water
- Large stock pots – will allow for even heat distribution under larger surface areas
- Wok Cooking: We suggest a 14-16 inch [36-41 cm] wok for the best results.

COOKWARE RECOMMENDATIONS

As previously stated in "PROPER USAGE" on page 7, bakeware such as large casserole pans, cookie sheets, etc. should not be used on the surface burners. Large griddle plates that span across 2 burners should be used with care and on medium to low flame settings to avoid a build-up of heat which could distort the grates or the burner bowl.

Large stock pots should be staggered when used on the rangetop (see below).

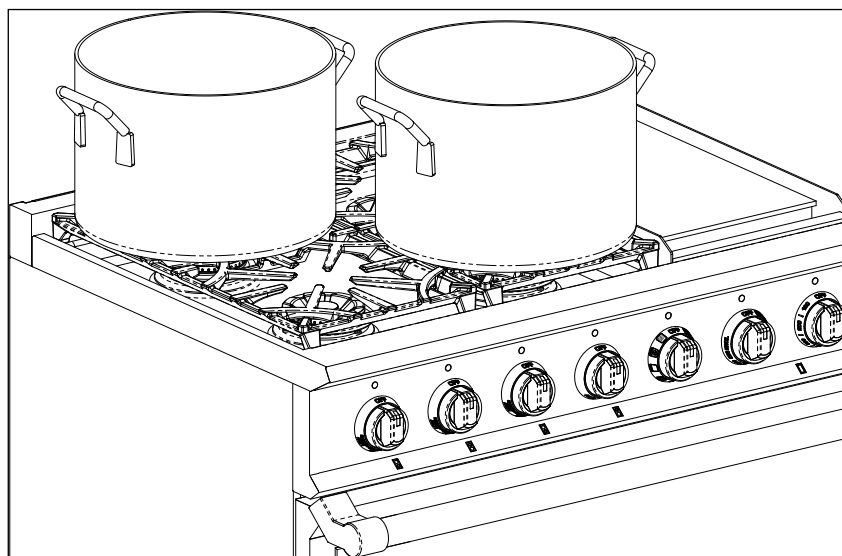
Do not cook on aluminum foil or thin, disposable aluminum pans. These can melt.

Never let a pot boil dry. If left too long, the pan could melt, or damage the appliance.

Use only high-quality pans with metal handles. Some plastic handles could melt from the intense heat of the burners.

USING THE RANGETOP *(CONTINUED)*

EN



USING THE GRIDDLE *(SOME MODELS)*

GRIDDLE CONTROL KNOB

The griddle is electronically controlled with a temperature range of 120°F - MAX (approx. 500°F) [49 - 260°C]. Push and turn RIGHT (clockwise) to select the desired temperature for the food you are cooking.

▲WARNING

To avoid injury DO NOT operate the griddle without the griddle plate and grease tray in place. Remove the cover before use.

▲CAUTION

The griddle is very hot after use. Allow sufficient time to cool down before cleaning.

DO NOT use metal utensils (pots, pans, etc.) on the griddle plate surface. Be careful not to gouge or cause deep scratches in the griddle plate surface. DO NOT cut directly on the griddle plate.

FIRST TIME OPERATION

Before using your griddle for the first time, the griddle plate and the grease tray should be cleaned with warm, soapy water and thoroughly rinsed and dried. When you first heat the plate, a little smoke and some odor may be present as any remaining manufacturing oils are burned off. The stainless-steel plate will discolor from a straw color, to a very dark brown or black, depending on what foods you cook on the surface.

USING THE GRIDDLE (CONTINUED)

COOKING ON THE GRIDDLE

When it comes to using the griddle, there are a few things to keep in mind:

- As time goes on and griddle use increases, discoloration of the griddle plate may happen and is normal.
- When emptying the grease tray, be sure to pour the grease into a proper container for grease disposal, not down the drain. Do not scrape with metal utensils.

It will take some practice to get to know how your griddle performs with certain foods. The table below gives a few recommendations on temperatures.

FOOD ITEM	GRIDDLE TEMPERATURE
EGGS	300 - 325°F [149 - 163°C]
PANCAKES, FRENCH TOAST	400 - 425°F [204 - 218°C]
HASH BROWN POTATOES (frozen)	475 - 500°F [246 - 260°C]
CHICKEN BREAST, (BONELESS)	425 - 450°F [218 - 232°C]
BACON, SAUSAGE	450 - 475°F [232 - 246°C]
STEAK, 1" (25mm) THICK	450 - 475°F [232 - 246°C]
HAMBURGER, 6 oz (170 g)	450 - 475°F [232 - 246°C]

CLEANING THE GRIDDLE

Read the CLEANING AND MAINTENANCE section of this manual for complete instructions.

NEVER flood the hot griddle plate with cold water. This can permanently warp the plate.

Do not put your griddle plate into the dishwasher, as it will damage your appliance.

Wait until the appliance has cooled completely before cleaning.

USING THE OVEN

TIPS AND TRICKS ON HOW TO USE YOUR OVEN

As you begin to use your Hestan Range, it is important to take the time to become familiar with the new settings and the performance of this appliance. Previous ranges may have performed differently than your Hestan – allow some time to adjust.

HOW TO GET THE BEST RESULTS WHEN COOKING IN THE OVEN

- Many recipes give their own rack suggestions, it is best to follow what is suggested by the recipe.
- After a few times of using your new range, you will become more comfortable with rack placements and temperature settings.
- Avoid opening the oven door while cooking. This will prevent heat from escaping and provide the best results.
- Make sure to preheat the oven to the cooking temperature given in the recipe.
- When baking with more than one rack, stagger the pans and give them at least 2" of space between each pan.
- Remember that different bakeware and pans cook and heat differently.
- Light-colored non-stick pans result in golden crust that is tender.
- Dark-colored non-stick pans result in a more brown, crisp crust.
- Generally, when using any Convection mode, it is suggested to reduce the temperature by 25°F [14°C], though this does not apply to all recipes or meats and poultry.

USING THE OVEN (CONTINUED)

RACK POSITION / BEFORE BAKING

Rack positions depend on the food items you are baking or roasting. Follow the instructions, or your best experience, on which rack position is best to use for a given recipe.

Not all oven racks need to be kept in the oven. If you find you only need one or two racks most of the time, remove the extra rack and store in a convenient location should it be needed later.

ALWAYS place the oven racks at the desired height before cooking. If the racks must be moved when hot, use potholders to move them and use caution to avoid touching any hot oven parts.

Minimize opening the oven door by using the oven light.

QUICK GUIDE FOR RACK POSITIONS / USES

Choose the rack position(s) that result in the best baking, roasting, etc. for your recipe. Rack position #3 (counting from the bottom-up) is the most popular position (vertical center location).

OVEN MODE	SUGGESTED RACK POSITIONS	USES
PROOF	N/A	Best for allowing bread dough to rise.
BAKE	Center rack #3	Best for baked items. Single-rack cooking or baking. This is the standard mode for most recipes.
CONVECTION BAKE	Single Rack: #3 Two Racks: #3 & #5	During this mode, a fan in the back of the oven helps air move evenly throughout, allowing for even baking and cooking.
ROAST	Center rack #3	Roast less tender cuts of meat such as beef roast. Also good for stews that have to be covered.
CONVECTION ROAST	Center rack #3	This mode allows for a crisp outside and a tender and juicy interior on poultry and meats. Ideal for roasting tender cuts of beef lamb poultry.
BROIL	Rack #5 for steaks, hamburgers, etc. 1" [2.5cm] and under. Rack #4 for steaks, hamburgers, etc. thicker than 1" [2.5cm].	Broiling meats, fish, and poultry pieces. Direct heat from above only. Pre-heat broil for 3-4 minutes before starting cooking.
CONVECTION BROIL	Rack #5 for steaks, hamburgers, etc. 1" [2.5cm] and under. Rack #4 for steaks, hamburgers, etc. thicker than 1" [2.5cm].	Shortens broiling times for thicker cut of meat, fish, poultry. Pre-heat broil for 3-4 minutes before starting cooking.

PRE-HEATING

Many recipes call for a pre-heated oven. Refer to your recipe for instructions. Pre-heating time depends on the Mode and Temperature selected, as well as the number of racks inside the oven.

- The indicator LED is ON when either the broiler or main burner is active.
- The LED will be ON while the oven is heating
- The LED will go OFF when the oven is up to temperature.

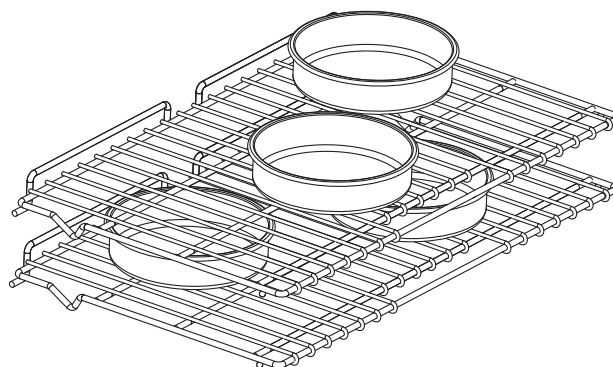
During cooking, the burner(s) will cycle on and off to maintain the set temperature, and the LED will indicate burner activity.

USING THE OVEN (CONTINUED)

APPROPRIATE BAKEWARE / PLACEMENT

Bakeware suitable for use in your Hestan oven are metal, heat-proof glass (Pyrex®), glass-ceramic, earthenware pottery, etc. Cookie sheets / jelly roll pans with a small lip are also suitable. Thicker sheets or double-sided sheets may increase baking times.

Stagger multiple cake pans as shown here. Leave approximately 2" [5 cm] space between all pans and oven walls to allow for hot air circulation inside the oven.



COOKING WITH THE OVEN

The following pages will help you with the various oven controls. Your recipe will guide you on which cooking modes are best. However, food safety (handling, cooking, storage) is very important in preventing food-borne illness. The table below are recommendations to keep you and your family safe.

FOOD ITEM	SAFE MINIMUM INTERNAL TEMPERATURES
GROUND MEATS (BEEF, VEAL, LAMB, PORK)	160°F [72°C]
BEEF, VEAL, LAMB ROAST, STEAKS, CHOPS	Medium Rare - 145°F [63°C]
	Medium - 160°F [72°C]
	Well Done - 170°F [77°C]
PORK ROAST, STEAKS, CHOPS	Medium - 160°F [72°C]
	Well Done - 170°F [77°C]
HAM	Un-cooked - 145°F [63°C]
	Reheat cooked hams packaged in USDA-inspected plants to 140 °F [60°C] and all others to 165 °F [74°C]
GROUND CHICKEN/TURKEY	165°F [74°C]
WHOLE CHICKEN/TURKEY	180°F [82°C]
POULTRY BREAST, ROASTS	165°F [74°C]
POULTRY THIGHS & WINGS	165°F [74°C]
STUFFING (cooked alone)	165°F [74°C]
EGG DISHES	160°F [72°C]
FISH & SHELLFISH	145°F [63°C]
LEFTOVERS	165°F [74°C]
CASSEROLES	165°F [74°C]

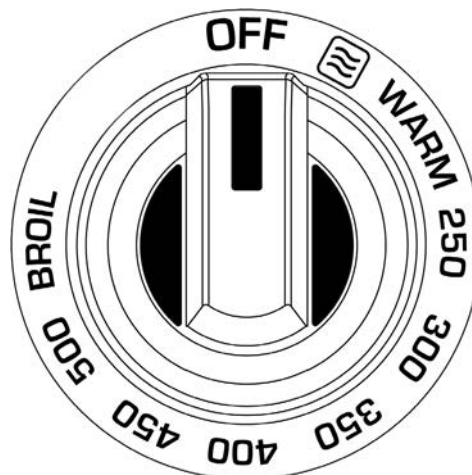
- Safe minimum internal temperatures per US Dept. of Agriculture Food Safety & Inspection Services guidelines.

OVEN CONTROLS

OVEN KNOBS AND ICONS











OVEN MODE SELECT



OVEN TEMPERATURE

Oven Function Icons

- | | | | |
|---|---------------|---|---------------|
|  | Bake |  | Broil |
|  | Convect Bake |  | Convect Broil |
|  | Roast |  | Proofing |
|  | Convect Roast |  | Sabbath Mode |

OVEN CONTROLS (CONTINUED)

BASIC OVEN USE

For most use, simply set the Mode Select knob and then set the temperature.

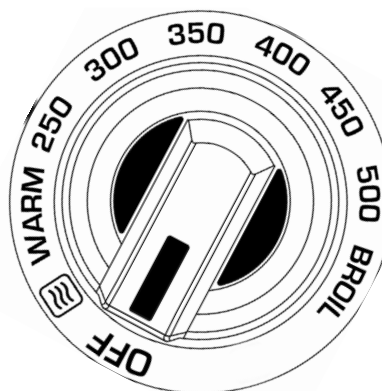
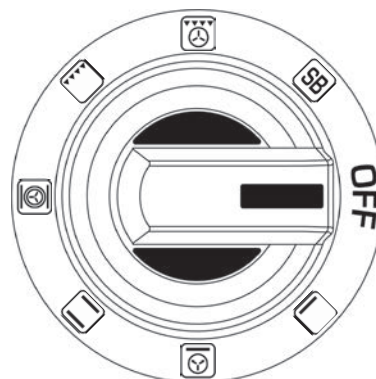
The indicator LED will come on, then go off when the oven reaches set temperature. See "PRE-HEATING" on page 19.

In the example at the right, the Mode Select knob has been turned to the Convection Broil function. The Oven Temperature knob has been set to 350°F

When finished cooking, turn both knobs to OFF.

NOTES:

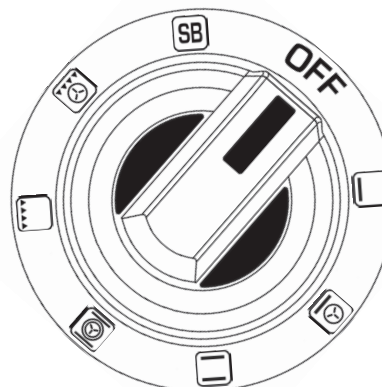
- In the event of a power failure, the oven turns off. Once power is restored, the oven will remain off. To resume cooking, turn both knobs off, then set desired mode and temperature.
- See "IN CASE OF POWER OUTAGE" on page 5 for instructions.



SETTING SABBATH MODE

- Turn the Function knob to SB (Sabbath).
- Turn the Temperature knob to the desired setting. In this example, it has been set to 375°F.

The Sabbath Mode operates the oven in bake mode. The oven internal lights and the oven knob backlights do not operate in Sabbath mode.



CANCELING SABBATH MODE

To cancel Sabbath mode, turn the Mode Select knob Off.

NOTES:

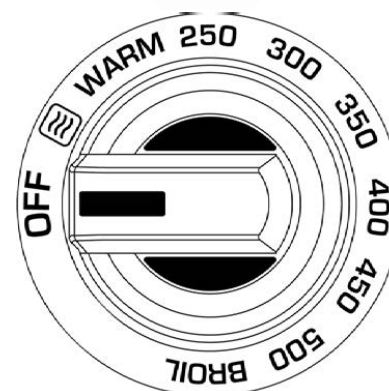
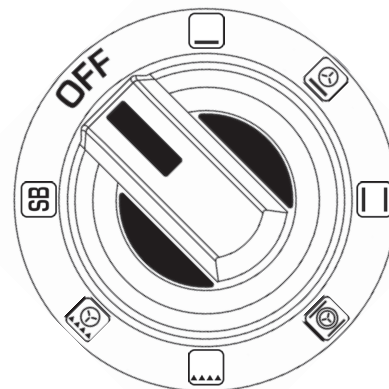
- During Sabbath Mode, changes made to the oven temperature knob result in a computed random delay of up to 3 minutes before engaging the oven burner.
- The Rangetop burner(s) will auto-ignite if the flame is somehow snuffed out.
- Rangetop burner(s) do not have a programmed time-out and are able to remain lit indefinitely or during the entire Sabbath. A low flame setting is recommended.
- In the event of a power failure during Sabbath Mode, the oven turns off. Once power is restored, the oven will remain off.
- See "IN CASE OF POWER OUTAGE" on page 5 for instructions.



OVEN CONTROLS (CONTINUED)

BAKE COOKING MODE

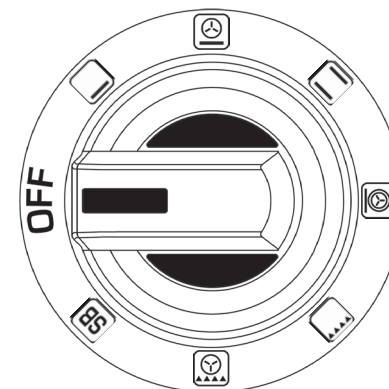
1. Turn the Mode Select knob to the BAKE setting.
2. Set the Temperature knob to the desired cooking temperature. In this example, it has been set to 250°F.



EN

CONVECTION BAKE COOKING MODE

1. Turn the Mode Select knob to the CONVECTION BAKE setting.
2. Set the Temperature knob to the desired cooking temperature. In this example, it has been set to 250°F.

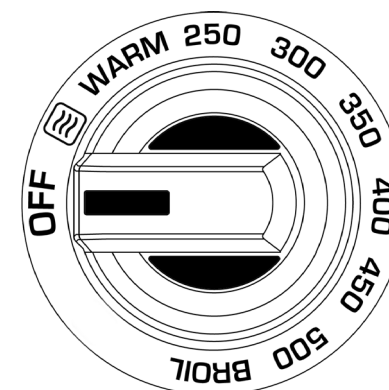


TIPS:

- This mode is best used for baked goods.
- Using pans with low sides helps to get the most even flow of heated air to the food.
- No need to rotate the pan when using this mode.

NOTES:

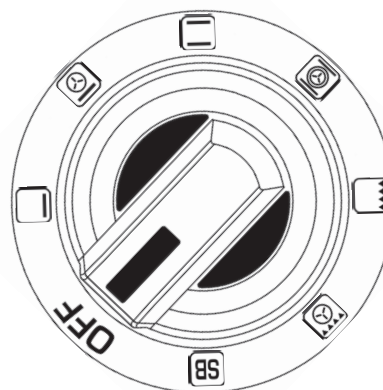
- a. In general, convection cooking should be done using low, shallow bakeware or pans to allow the heated air to circulate around the food.
- b. Removal of any lids is also recommended for the same reason.



OVEN CONTROLS (CONTINUED)

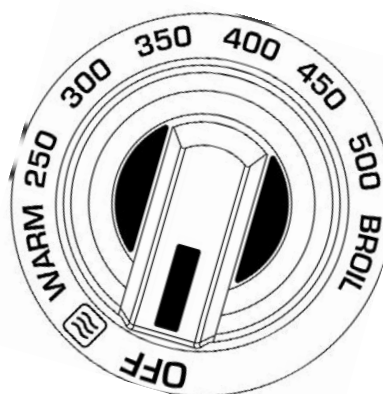
ROAST COOKING MODE

1. Turn the Mode Select knob to the ROAST setting.
2. Set the Temperature knob to the desired cooking temperature. In this example, it has been set to 375°F.



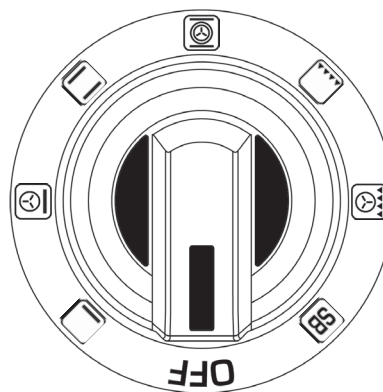
TIPS:

- Designed for less tender cuts of meat.
- It helps to add moisture such as broths and liquids when cooking meats on this mode.



CONVECTION ROAST COOKING MODE

1. Turn the Mode Select knob to the CONVECTION ROAST setting.
2. Set the Temperature knob to the desired cooking temperature. In this example, it has been set to 375°F.

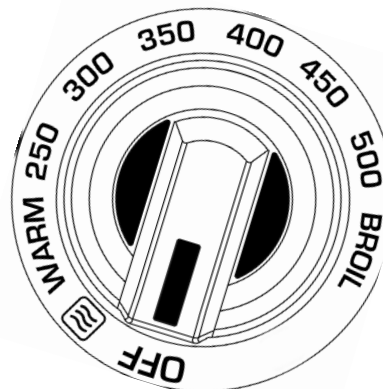


TIPS:

- Best for roasting.
- Provides a crispier skin while maintaining a juicy interior in poultry and meats.
- No need to drop temperature by 25°F [14°C].
- Check internal temperature when cooking poultry and meats.

NOTES:

- a. In general, convection cooking should be done using low, shallow bakeware or pans to allow the heated air to circulate around the food.
- b. Removal of any lids is also recommended for the same reason.

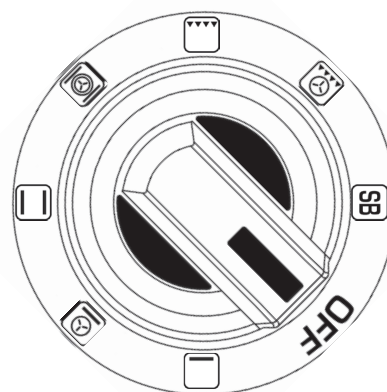


OVEN CONTROLS (CONTINUED)

EN

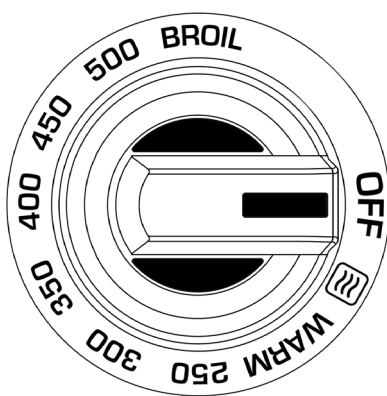
BROIL COOKING MODE

1. Turn the Mode Select knob to the BROIL setting.
2. Set the Temperature knob to the BROIL setting.



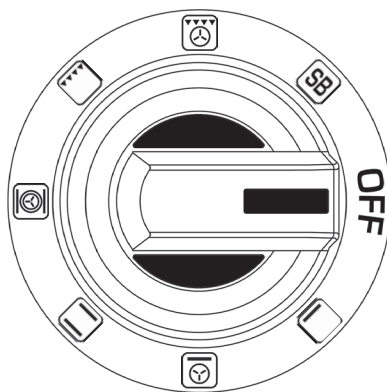
TIPS:

- This mode is excellent for broiling steaks, ground beef patties, and browning the top of foods.
- The door should remain closed during the entire broiling period.
- Make sure the pan is placed in the center of the rack, directly under the broil element.
- Food only needs to be turned once. Thin foods such as fish do not need to be flipped.
- Use the provided broiler pan and slotted cover when broiling, making sure to leave the slots of the cover open. Do not line with foil.
- Be careful when opening the oven door during broil as intense heat has been accumulating for a period of time.



CONVECTION BROIL COOKING MODE

1. Turn the Mode Select knob to the CONVECTION BROIL setting.
2. Set the Temperature knob to the BROIL setting.

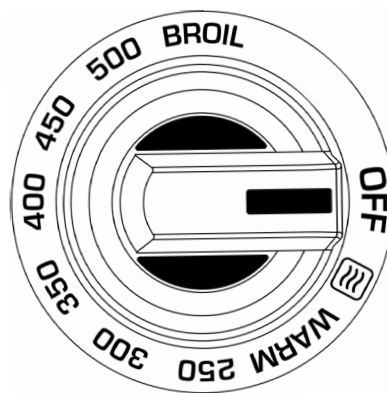


TIPS:

- Similar tips as BROIL.
- Please refer to recipe instructions for best results.

NOTES:

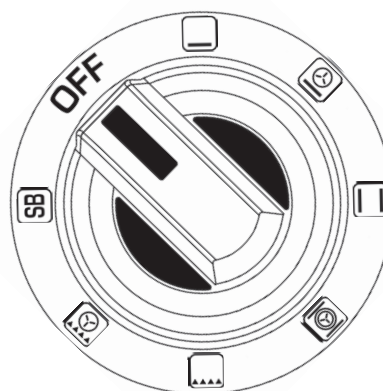
- a. In general, convection cooking should be done using low, shallow bakeware or pans to allow the heated air to circulate around the food.
- b. Removal of any lids is also recommended for the same reason.



OVEN CONTROLS (CONTINUED)

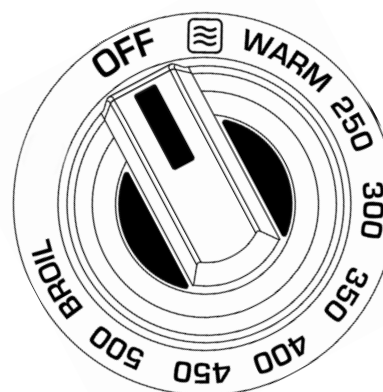
PROOF COOKING MODE

1. Turn the Mode Select knob to the BAKE setting.
2. Set the Temperature knob to the PROOF setting.



NOTES:

- a. The PROOF setting is a very low oven temperature around 100°F [38°C] for assisting yeast-leavened breads and other baked goods to rise.
- b. It is best to start with a cool oven when using this setting.



ADDITIONAL ITEMS

COOLING BLOWER

The range features a cooling blower to protect the electronic components. The blower activates when the oven reaches a temperature around 300°F [149°C], and will stay on throughout any oven cooking cycle. After cooking, even though you may have shut off the oven, the blower will remain on until the oven cools down to a temperature near 250°F [121°C].

If you notice the blower fails to activate during any oven cycle (especially Broil), do not use the oven. Call for service. Failure to do so may permanently damage the oven.

BROILER PAN

The range is supplied with a porcelain enamel 2-piece broiler pan with slotted cover. The slotted cover allows drippings to flow into the base of the pan, away from the intense heat of the broiler. This will reduce smoke and the chance of a grease fire.

DO NOT use aluminum foil or thin, disposable aluminum pans when broiling. These can melt.

CARE & MAINTENANCE

CLEANING OVEN

▲WARNING

EN

BURN HAZARD - All parts of the range can get very hot during operation. The oven door glass and areas surrounding the door get very hot. Do not touch the appliance while in operation. Failure to observe these instructions may result in severe burns or injury. Do not allow children to use this appliance without adult supervision. Do not allow children to play in or around the appliance, even when not in use.

OVEN INTERIOR

Try wiping up the spill with warm soapy water, or a mild cleanser such as Fantastik® or SoftScrub®. Rinse and dry thoroughly. If you choose to use a commercial oven cleaner, follow the instructions on the product label.

OVEN EXTERIOR / GLASS

Do not allow food stains or salt to remain in contact with stainless steel surfaces too long. The stainless steel exterior of the oven may be cleaned with warm soapy water, or any number of commercial stainless steel cleaners. Check to make sure the cleaners do not contain chlorine or chlorine compounds as these are corrosive to stainless steel. Rinse thoroughly.

SUGGESTED CLEANERS:

Hot water & mild detergent

Fantastik®

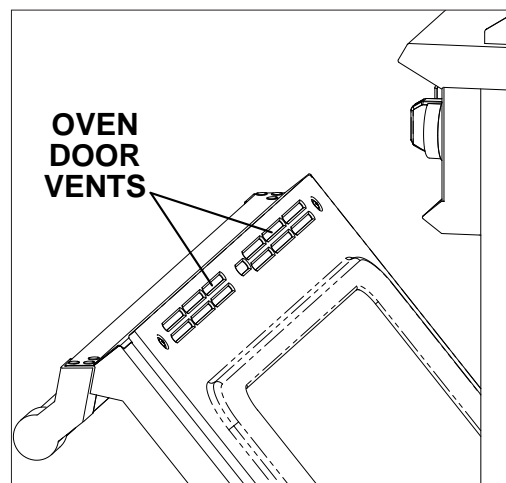
These cleaners may also be effective in areas with heat discoloration. ALWAYS clean stainless steel in the direction of the grain with light pressure.

If your Hestan appliance has colored panels, use warm soapy water ONLY. Rinse and dry thoroughly.

Be careful when cleaning near the oven door vents at the top of the oven glass. Water or cleaners could get inside and leave spots or streaks on the inside of the glass.

Do not rub, disturb or damage the cloth-braided door gasket. If the gasket is damaged, it will need to be replaced. Use only Hestan genuine replacement parts.

Wait until the appliance is completely cool before using any aerosol-type cleaners. Many of these cleaners use flammable propellants which could ignite in the presence of heat.



CARE & MAINTENANCE (CONTINUED)

LADDER RACKS / OVEN RACKS

The oven racks and the left & right ladder racks can be removed from the oven for cleaning. DO NOT clean these items in a self-cleaning oven.

The racks may be cleaned with warm soapy water, or any number of commercial stainless steel cleaners. Check to make sure the cleaners do not contain chlorine or chlorine compounds as these are corrosive to stainless steel. Rinse thoroughly. If the racks do not slide easily after cleaning, apply a small amount of food-safe or cooking oil to the slide rails.

SUGGESTED CLEANERS:

Hot water & mild detergent

Vinegar & water

Fantastik®

Bon-Ami®

Kleen King®

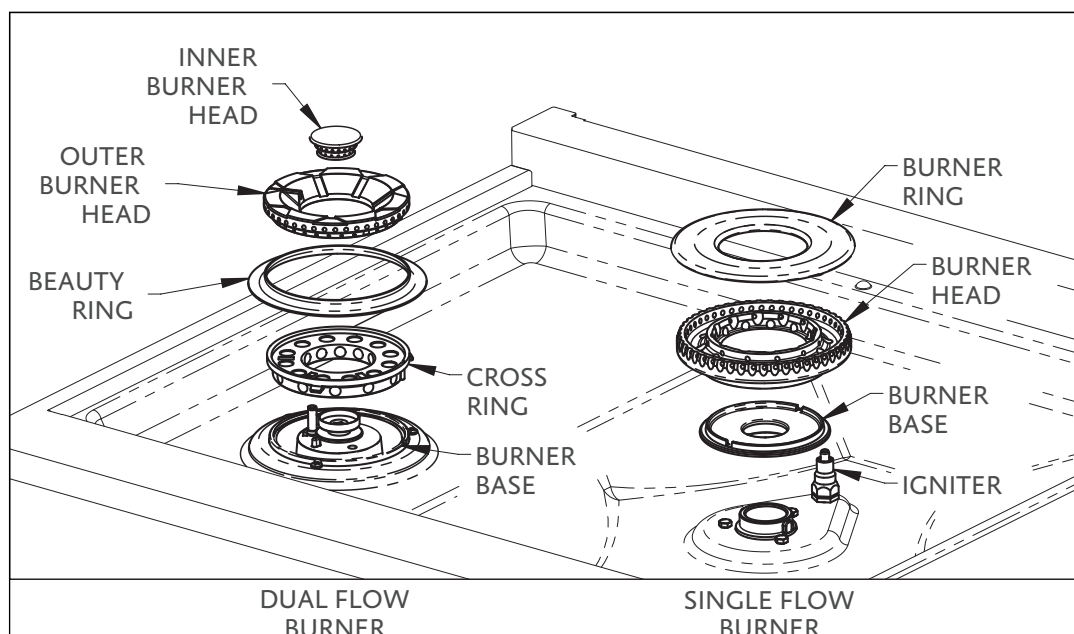
SoftScrub®

SEALED BURNERS

▲WARNING

BURN HAZARD - To prevent burns, do not touch the burner heads or cooking grates when hot. Allow to cool completely.

The burners can be disassembled for cleaning. Use only a small toothbrush to clean the burner ports and igniter. DO NOT insert sharp objects or scratch the burner ports. After cleaning, ensure the sealed burner heads are properly installed and seated on the burner base as shown below. There are notches on the burner base and cross ring to help with alignment. The outer burner head features a long slot on the top of the head which aligns with the spark igniter. Assembly of the single-flow burner head is similar.



CARE & MAINTENANCE (CONTINUED)

SUGGESTED CLEANERS:

BRASS BURNER / HEADS

Hot water & mild detergent

Bon-Ami®

Kleen King®

CERAMIC IGNITER

Hot water & mild detergent

Fantastik®

CAST IRON COOKING GRATES WITH PORCELAIN ENAMEL

Hot water & mild detergent

Bon-Ami®

Kleen King®

SoftScrub®

Use care when handling the grates. They are heavy and can crack if dropped on the floor or hard surface. DO NOT clean the grates in a self-cleaning oven. Do not allow food stains or acidic food spills to remain on the grate surfaces too long. These stains can degrade the enamel. For stubborn stains, use light pressure with an abrasive cleaner. Rinse thoroughly and dry immediately.

GRIDDLE PLATE & GREASE TRAY (if equipped)

WARNING

BURN HAZARD - To prevent burns, do not touch the griddle plate or grease tray when hot. Allow to cool completely.

NEVER flood a hot griddle plate with cold water. The steam could cause serious burns. The sudden temperature change could also distort the metal surfaces resulting in permanent warpage of the plate. DO NOT clean the griddle plate in a self-cleaning oven.

The griddle plate can be removed for cleaning by hand using warm soapy water. For more difficult residues, you can rub coarse salt on the plate, and rinse thoroughly with clean water. The grease tray has a non-stick coating which may be cleaned by hand using warm soapy water, or it may be cleaned in the dishwasher. Do not use sharp objects or scrapers, as this may gouge the surfaces.

EXTERIOR SURFACES

Do not allow food stains or salt to remain in contact with stainless steel surfaces too long. All stainless steel exterior surfaces may be cleaned with warm soapy water, or any number of commercial stainless steel cleaners. Check to make sure the cleaners do not contain chlorine or chlorine compounds as these are corrosive to stainless steel. Rinse thoroughly.

SUGGESTED CLEANERS:

Hot water & mild detergent

Fantastik®

ALWAYS clean stainless steel in the direction of the grain with light pressure.

If your Hestan appliance has colored panels, use warm soapy water ONLY. Rinse and dry thoroughly.

Wait until the appliance is completely cool before using any aerosol-type cleaners. Many of these cleaners use flammable propellants which could ignite in the presence of heat.

CARE & MAINTENANCE (CONTINUED)

REPLACING THE OVEN LIGHT BULB

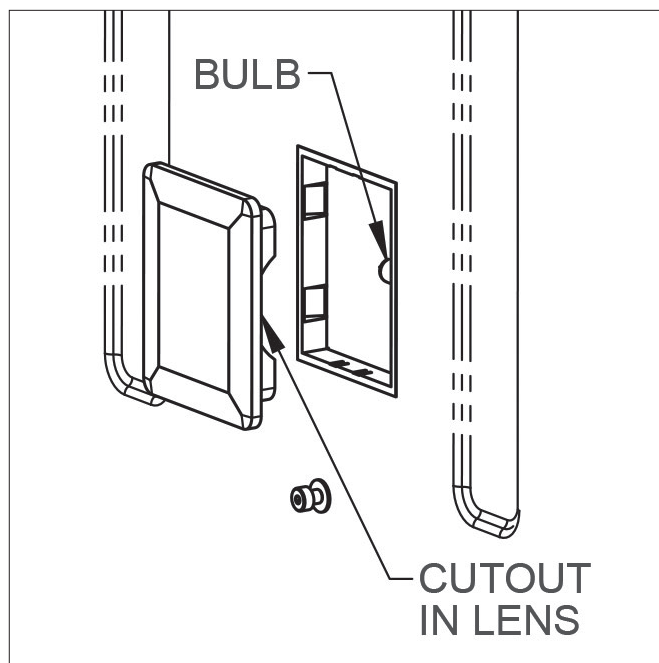
⚠️ WARNING

ELECTRICAL SHOCK HAZARD - Make sure the power has been shut off to the range. The light socket is energized when the door is open. Failure to shut off the power when replacing a light bulb could result in electric shock or burns.

Make sure the glass lens is cool to the touch. Use care when handling the lens, it is fragile and can break if dropped.

Use only 20 watt, 12 Volt, halogen "Bi-Pin" bulbs suitable for appliance oven use. This type of bulb may be available at hardware stores & home centers, or specialty lighting stores. Call Hestan Customer Care for more information.

1. MAKE SURE POWER IS OFF! Open the oven and remove the oven racks and ladder racks if they are in the way.
2. Place a thick towel or cloth on the oven floor below the lamp to catch the glass lens should it fall.
3. Use a small flat-blade screwdriver to carefully pry off the glass lens and set aside. Reach into the lamp housing and pull out the old light bulb as shown in the image below.
4. Before installation, it is very important to clean the new bulb carefully with a clean, soft cloth, or tissue paper. Grease, fingerprints, or oils in your skin can leave a residue on the glass surface of the bulb which will create a hot-spot. The bulb will eventually crack at this hot-spot.
5. While still using a cloth or tissue paper, insert the new bulb in the lamp housing. Push the bulb fully into the socket.
6. Re-install the glass lens taking note of the cutaway in the glass which aligns with the bulb socket.
7. Restore the power and check if the new bulb is working. Re-install any racks you removed earlier.



TROUBLESHOOTING GUIDE

EN

Symptom	Possible Cause	Solution
Range does not operate (no knob lights, interior lights, etc.).	Power cord not plugged in, or no power to receptacle, or breaker tripped.	Check breaker. Call for service for other issues.
Burner will not light.	Gas supply not on / shutoff valve closed. Power cord not plugged in, or no power to receptacle, or breaker tripped. Burner ports near igniter, or igniter itself is obstructed or dirty. Burner head not installed correctly on base. Defective or clogged burner valve. Incorrect orifice or clogged orifice. Igniter defective (not sparking). Low gas pressure to unit. Defective regulator or regulator installed improperly.	Check shutoff valve. Check breaker. Call for service for other issues. Clean burner ports / igniter. Check burner head installation. Call for service.
Burner will not stay lit.	Burner ports obstructed or dirty. Vent plugged on regulator or regulator installed improperly. Low gas pressure.	Clean burner ports / igniter. Call for service.
Burner not working well / lazy or yellow flame.	Burner ports are obstructed or dirty. Poor combustion, air-fuel mixture not adjusted properly. Gas pressure incorrect / incorrect regulator. Orifice sized incorrectly for gas type.	Clean burner ports / igniter. Call for service.
Gas Odor.	Burner went out or did not light. Burner head not installed correctly on base. Burner ports obstructed or dirty. Loose or broken gas line. Ruptured pressure regulator. Poor combustion, air-fuel mixture not adjusted properly.	Relight burner. Check burner head installation. Clean burner ports / igniter. Turn shutoff valve to off position and call for service.
Oven Light not working.	Power cord not plugged in, or no power to receptacle, or breaker tripped. Bulb is burned out.	Check breaker. Call for service for other issues. Replace bulb.
Heat escaping from top of oven door.	Oven door not sealing correctly.	Check/clean oven door gasket. Replace if worn.
Fan noise / hot air coming from appliance, even when off.	Oven cooling down.	This is normal. If you DO NOT hear the fan running during or after using the oven, call for service.
Oven Mode and/or Oven Temperature backlight on or blinking	a) Power outage/power came on with one or more control knobs not OFF. b) Problem with controller or temperature sensing	Turn both controls OFF. If problem persists, call for service. Rangetop can still be used.

PARTS LIST

Please visit the Hestan website to access the parts list for your Hestan Indoor product:
www.hestanhome.com.

EN

SERVICE

All warranty and non-warranty repairs should be performed by qualified service personnel. To locate an authorized service agent in your area, contact your Hestan dealer, local representative, or Hestan. Before you call, please have the model number and serial number information ready.

Hestan Commercial Corporation
3375 E. La Palma Avenue
Anaheim, CA 92806
(888) 905-7463

LIMITED WARRANTY

WHAT THIS LIMITED WARRANTY COVERS

Hestan Commercial Corporation (“HCC”) warrants to the original consumer purchaser of a Hestan Indoor Cooking product (the “Product”) from an HCC authorized dealer that the Product is free from defective materials or workmanship for a period of two (2) years from the date of original retail purchase or closing date for new construction, whichever period is longer (“Limited Warranty Period”). HCC agrees to repair or replace, at HCC’s sole option, any part or component of the Product that fails due to defective materials or workmanship during the Limited Warranty Period. This Limited Warranty is not transferable and does not extend to anyone beyond the original consumer purchaser (“Purchaser”). This Limited Warranty is valid only on Products purchased and received from an HCC authorized dealer in the fifty United States, the District of Columbia and Canada. This Limited Warranty applies only to Products in non-commercial use and does not extend to Products used in commercial applications.

HOW TO OBTAIN WARRANTY SERVICE

If the Product fails during the Limited Warranty Period for reasons covered by this Limited Warranty, the Purchaser must immediately contact the dealer from whom the Product was purchased or HCC at 888.905.7463.

Purchaser is responsible for making the Product reasonably accessible for service or for paying the cost to make the Product reasonably accessible for service. Service is to be provided during normal business hours of the authorized Hestan Commercial Service Provider. To the extent Purchaser requests service outside of the normal business hours of the authorized Hestan Commercial Service Provider, Purchaser will pay the difference between regular rates and overtime or premium rates. Purchaser is required to pay all travel costs for travel beyond 50 miles (one way) from the nearest authorized Hestan Commercial Service Provider.

LIMITED WARRANTY (CONTINUED)

EXTENSIONS TO TWO YEAR LIMITED WARRANTY PERIOD:

In addition to the Two-Year Limited Warranty, the following components have extended warranty coverage as specifically set forth below:

1. The Product's gas burners (excludes appearance), electric heating elements, blower motors (ventilation hoods), electronic control boards, magnetron tubes and induction generators (where applicable) are warranted to be free from defects in material and workmanship under normal non-commercial use and service for a period of five (5) years of the original Purchaser. This excludes surface corrosion, scratches, and discoloration which may occur during normal use and is limited to replacement of the defective part(s), with the Purchaser paying all other costs, including labor, shipping and handling, as applicable.

WHAT THIS LIMITED WARRANTY DOES NOT COVER:

This Limited Warranty does not cover and HCC will not be responsible for and will not pay for: damage to or defects in any Product not purchased from an HCC authorized dealer; color variations in color finishes or other cosmetic damage; failure or damage from abuse, misuse, accident, fire, natural disaster, commercial use of the Product, or loss of electrical power or gas supply to the Product; damage from alteration, improper installation, or improper operation of the Product; damage from improper or unauthorized repair or replacement of any part or component of the Product; damage from service by someone other than an authorized agent or representative of the Hestan Commercial Service Network; normal wear and tear; damage from exposure of the Product to a corrosive atmosphere containing chlorine, fluorine, or any other damaging chemicals; damage resulting from the failure to provide normal care and maintenance to the Product; damage HCC was not notified of within the Limited Warranty Period; and incidental and consequential damages caused by any defective material or workmanship.

ARBITRATION:

This Limited Warranty is governed by the Federal Arbitration Act. Any dispute between Purchaser and HCC regarding or related to the Product or to this Limited Warranty shall be resolved by binding arbitration only on an individual basis with Purchaser. Arbitration will be conducted by the American Arbitration Association ("AAA") in accordance with its Consumer Arbitration Rules or by JAMS. The arbitration hearing shall be before one arbitrator appointed by the AAA or JAMS. The arbitrator shall not conduct class arbitration and Purchaser shall not bring any claims against HCC in a representative capacity on behalf of others.

LIMITATION OF LIABILITY:

This Limited Warranty is the final, complete and exclusive agreement between HCC and Purchaser regarding the Product.

THERE ARE NO EXPRESS WARRANTIES OTHER THAN THOSE LISTED AND DESCRIBED ABOVE. NO WARRANTIES WHETHER EXPRESS OR IMPLIED, INCLUDING, BUT NOT LIMITED TO, ANY IMPLIED WARRANTIES OF MERCHANTABILITY OR FITNESS FOR A PARTICULAR PURPOSE SHALL APPLY AFTER THE LIMITED WARRANTY PERIOD STATED ABOVE. NO OTHER EXPRESS WARRANTY OR GUARANTY GIVEN BY ANY PERSON, FIRM OR CORPORATION WITH RESPECT TO THIS PRODUCT SHALL BE BINDING ON HCC. HCC ASSUMES NO RESPONSIBILITY THAT THE PRODUCT WILL BE FIT FOR ANY PARTICULAR PURPOSE, EXCEPT AS OTHERWISE PROVIDED BY APPLICABLE LAW.

HCC SHALL NOT BE LIABLE FOR LOSS OF REVENUE OR PROFITS, FAILURE TO REALIZE SAVINGS OR OTHER BENEFITS, OR ANY OTHER SPECIAL, INCIDENTAL OR CONSEQUENTIAL DAMAGES CAUSED BY THE USE, MISUSE OR INABILITY TO USE THE PRODUCT, REGARDLESS OF THE LEGAL THEORY ON WHICH THE CLAIM IS BASED, AND EVEN IF HCC HAS BEEN ADVISED OF THE POSSIBILITY OF SUCH DAMAGES. NO RECOVERY OF ANY KIND AGAINST HCC SHALL BE GREATER IN AMOUNT THAN THE PURCHASE PRICE OF THE PRODUCT.

WITHOUT LIMITING THE FOREGOING, YOU ASSUME ALL RISK AND LIABILITY FOR LOSS, DAMAGE OR INJURY TO YOU AND YOUR PROPERTY AND TO OTHERS AND THEIR

LIMITED WARRANTY (CONTINUED)

PROPERTY ARISING OUT OF THE USE, MISUSE OR INABILITY TO USE THE PRODUCT NOT CAUSED DIRECTLY BY THE NEGLIGENCE OF HCC. THIS LIMITED WARRANTY STATES YOUR EXCLUSIVE REMEDY.

EN

No oral or written representation or commitment given by anyone, including but not limited to, an employee, representative or agent of HCC will create a warranty or in any way increase the scope of this express Limited Two Year Warranty. If there is any inconsistency between this Limited Warranty and any other agreement or statement included with or relating to the Product, this Limited Warranty shall govern. If any provision of this Limited Warranty is found invalid or unenforceable, it shall be deemed modified to the minimum extent necessary to make it enforceable and the remainder of the Limited Warranty shall remain valid and enforceable according to its terms.

INTERACTION OF LAWS WITH THIS LIMITED WARRANTY:

Some states, provinces or territories may not allow limitations on how long an implied warranty lasts or the exclusion or limitation of incidental or consequential damages, so the above limitations or exclusions may not apply to you. Some states, provinces or territories may provide for additional warranty rights and remedies, and the provisions contained in this Limited Warranty are not intended to limit, modify, take away from, disclaim or exclude any mandatory warranty requirements provided by states, provinces or territories, including certain implied warranties. This warranty gives you specific legal rights, and you may also have other rights which vary depending on location.

Any questions about this Limited Warranty may be directed to
Hestan Commercial Corporation at (888) 905-7463

This page not used

AVERTISSEMENT

LE NON-RESPECT À LA LETTRE DE CES INSTRUCTIONS PEUT CAUSER UN INCENDIE OU UNE EXPLOSION, QUI POURRAIT ENTRAÎNER DES DOMMAGES MATÉRIELS, DES BLESSURES OU LA MORT.

Ne pas entreposer ou utiliser d'essence ou tout autre liquide ou gaz inflammable à proximité de cet appareil ou de tout autre appareil.

EN PRÉSENCE D'UNE ODEUR DE GAZ:

1. Ne tenter d'allumer aucun appareil.
2. Ne toucher à aucun commutateur électrique.
3. N'utiliser aucun téléphone dans l'immeuble.
4. Appeler immédiatement le fournisseur de gaz à partir d'un téléphone situé à l'extérieur de l'immeuble. Suivre les instructions du fournisseur de gaz.
5. S'il est impossible de joindre le fournisseur de gaz, appeler le service des incendies.

L'installation et la réparation doivent être effectuées par un installateur ou une agence de réparation ayant les qualifications requises auprès du fournisseur de gaz.

LISEZ ATTENTIVEMENT ET COMPLÈTEMENT CES INSTRUCTIONS AVANT D'INSTALLER OU D'UTILISER VOTRE APPAREIL AFIN DE RÉDUIRE LES RISQUES D'INCENDIE, DE BRÛLURE OU D'AUTRES BLESSURES. CONSERVER CE MANUEL POUR RÉFÉRENCE FUTURE.

DÉFINITIONS DE SÉCURITÉ

AVERTISSEMENT

CECI INDIQUE QUE L'INOBSERVATION DE CET AVERTISSEMENT PEUT ENTRAÎNER DES BLESSURES GRAVES VOIRE MORTELLES.

PRÉCAUTION

CECI INDIQUE QUE L'INOBSERVATION DE CET AVERTISSEMENT PEUT ENTRAÎNER DES BLESSURES MINEURES OU MODÉRÉES.

AVIS

CECI INDIQUE QUE L'INOBSERVATION DE CET AVERTISSEMENT PEUT ENTRAÎNER DES DOMMAGES DE L'APPAREIL OU DES DÉGÂTS MATÉRIELS.

**INSTALLATEUR: LAISSER CE MANUEL AVEC LE PROPRIÉTAIRE DE L'APPAREIL.
PROPRIÉTAIRE: CONSERVEZ CE MANUEL POUR RÉFÉRENCE FUTURE.**

AVERTISSEMENT

DANGER DE BASCULEMENT

Une personne, enfant ou adulte, peut faire basculer la cuisinière et subir des blessures mortelles.

Vérifiez l'installation du dispositif anti-basculement conformément au Manuel d'installation.

Ne pas utiliser la cuisinière lorsque le dispositif n'est pas installé et engagé.

Vérifiez l'engagement du dispositif anti-basculement si la cuisinière est déplacée, par exemple quand vous nettoyez derrière elle.

Pour vérifier l'engagement, inclinez doucement la cuisinière vers l'avant tout en tirant de l'arrière de l'appareil. La cuisinière ne doit pas bouger de plus de 1 po [2,5 cm].

Le non-respect de ces instructions peut entraîner la mort ou des brûlures graves chez les enfants et les adultes.

Pour réduire le risque de brûlure, ne déplacez pas cet appareil lorsqu'il est chaud.



Un message from Hestan

Les innovations culinaires primées de Hestan et les caractéristiques spéciales ont réinventé la cuisine du restaurant et redéfini l'expérience culinaire dans certains des restaurants les plus acclamés de l'Amérique. Hestan prend maintenant cette performance à l'arrière de la maison et la met au centre de la vôtre. Pensé et méticuleusement conçu, Hestan vous servira magnifiquement pour les années à venir.

Hestan est la seule marque résidentielle née des rêves et des exigences des chefs professionnels. De la cuisinière à la réfrigération, chaque détail est conçu pour offrir la performance et la fiabilité attendues dans un restaurant - maintenant disponible pour vous.

Nous apprécions que vous ayez choisi Hestan, et nous nous engageons à vous offrir le meilleur.

Bienvenue à Hestan



TABLE DES MATIÈRES

3	PRÉCAUTIONS DE SÉCURITÉ - AVANT DE COMMENCER
9	NUMÉROS DE MODÈLE
10	PLAQUE SIGNALÉTIQUE
10	RESPECT DE LA RÉGLEMENTATION ET DES CODES EN VIGUEUR
11	COMMENT COMMENCER AVEC VOTRE APPAREIL
16	UTILISATION DE LA TABLE DE CUISSON
18	UTILISATION DE LA PLAQUE CHAUFFANTE (<i>certaines modèles</i>)
19	UTILISATION DU FOUR
23	COMMANDES DU FOUR
29	ÉLÉMENTS SUPPLÉMENTAIRES
29	NETTOYAGE ET ENTRETIEN
34	GUIDE DE DÉPANNAGE
35	LISTE DES PIÈCES
35	SERVICE
35	GARANTIE LIMITÉE

FR

PRÉCAUTIONS DE SÉCURITÉ - AVANT DE COMMENCER

S'il est bien entretenu, cet appareil Hestan procurera un service sûr et fiable pendant de nombreuses années. Lorsqu'on se sert de cet appareil, les pratiques élémentaires suivantes en matière de sécurité doivent être adoptées.

INSTALLATEUR: Veuillez laisser ces instructions d'installation au propriétaire.

PROPRIÉTAIRE: Veuillez conserver ces instructions d'installation pour référence future.

Cette cuisinière est conçue pour un usage domestique uniquement. Elle ne l'est PAS pour être installée dans des maisons préfabriquées (mobiles) ou dans des véhicules récréatifs. N'installez PAS cette cuisinière à l'extérieur.



RISQUE DE CHOC ÉLECTRIQUE

Débranchez l'alimentation avant d'installer ou d'entretenir l'appareil. Avant de le mettre sous tension, assurez-vous que toutes les commandes sont en position «OFF». Ne pas le faire peut entraîner un choc électrique ou la mort.

MISE À LA TERRE ÉLECTRIQUE

Cette appareil doit être mis à la terre. La mise à la terre réduit le risque de choc électrique en cas de court-circuit. Lisez la section BRANCHEMENTS ÉLECTRIQUES du Manuel d'installation pour des instructions complètes.

Cet appareil est pourvu d'une fiche à trois broches don't une mise à la terre assurant une protection contre les chocs électriques. La prise dans laquelle elle est branchée doit être correctement mise à la terre. Ne pas couper ni enlever la broche de mise à la terre de la fiche.



PRÉCAUTIONS DE SÉCURITÉ - AVANT DE COMMENCER (SUITE)

ALIMENTATION ÉLECTRIQUE

L'appareil doit avoir son propre circuit distinct - 240 VAC, monophasé, 60 Hz, avec une ampérage nominale telle qu'indiquée dans la liste des numéros de modèle à la page 9. Demandez à l'installateur de vous montrer où se trouve le disjoncteur électrique afin de savoir comment couper l'alimentation de cet appareil. Il incombe à l'utilisateur de faire raccorder l'appareil par un électricien agréé conformément à tous les codes locaux, ou en l'absence de ces codes, conformément au Code National de l'Électricité. Lisez la section BRANCHEMENTS ÉLECTRIQUES du Manuel d'Installation pour tous les détails.

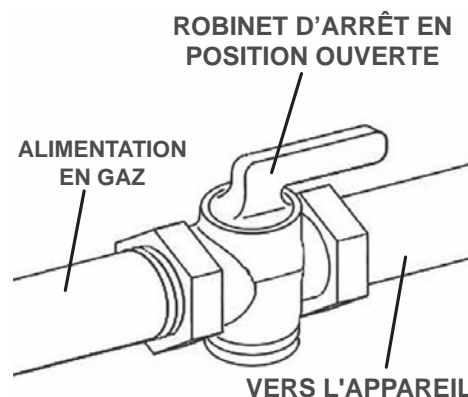
ALIMENTATION EN GAZ

Un robinet d'arrêt de gaz doit se trouver dans un endroit facilement accessible pour l'entretien de la cuisinière. Assurez-vous que tous les utilisateurs de la cuisinière savent où il se trouve et comment couper le gaz.

Le type de gaz doit être vérifié avant l'installation et l'utilisation de cet appareil. Il incombe à l'utilisateur de faire raccorder l'appareil par un plombier agréé conformément à tous les codes locaux, ou en l'absence de ces codes, conformément au National Fuel Gas Code.

Lors du raccordement à une alimentation en GPL, vérifiez que le réservoir est équipé de son propre détendeur haute pression. La pression du gaz fourni à l'appareil doit être 11-14 po à la colonne d'eau [2,74-3,48 kPa]. Consultez le Manuel d'Installation pour plus de détails sur le type de gaz, la pression du gaz, les instructions de raccordement et de contrôle d'étanchéité, etc.

Lisez la section RACCORDEMENT DE GAZ du Manuel d'Installation pour tous les détails.



KITS DE CONVERSION

Dans le cas où votre appareil Hestan doit être converti du Gaz Naturel au GPL, ou vice-versa, vous devrez contacter le service clientèle de Hestan pour faire effectuer cette conversion. Celle-ci doit être effectuée que par un technicien qualifié.

KITS POUR HAUTES ALTITUDES

Si vous vivez dans une région à haute altitude, c'est-à-dire au moins 2000 pi [610 m] au-dessus du niveau de la mer, votre appareil peut exiger des orifices calibrés différents pour une combustion et un rendement appropriés. Vous devrez contacter le service clientèle de Hestan pour faire effectuer cette opération. Les kits Haute Altitude doivent être installés par un technicien qualifié. Veuillez avoir les informations relatives aux numéros de modèle et de série à portée de la main lorsque vous appelez.

DOSSERET

Votre cuisinière Hestan est fournie en usine avec un dossieret Island Trim (à profilé pour îlot). Voir le Tableau 1 de la section APPENDICE du Manuel d'Installation pour autres options de dossieret disponibles chez votre concessionnaire Hestan, ou visitez www.hestanhome.com. La sélection du dossieret approprié dépend du lieu d'installation et des matériaux contigus, ainsi que du type de hotte à utiliser. Les instructions d'installation accompagnent le kit de dossieret. UN DOSSERET BAS OU ÉTAGÈRE HAUTE EST REQUIS LORS DE L'INSTALLATION DE LA CUISINIÈRE CONTRE UNE SURFACE COMBUSTIBLE - LA DOSSERET À PROFILÉ POUR ÎLOT NE CONVIENT PAS.

▲ PRÉCAUTION

Le haut du dossieret sert d'échappement pour le four pendant le fonctionnement et comme évent pour évacuer la chaleur de la partie supérieure de la cuisinière. NE PAS BLOQUER ni obstruer le haut du dossieret. NE PAS toucher le haut du dossieret pendant le fonctionnement de l'appareil, car il pourrait chauffer. Lui laisser suffisamment de temps pour refroidir avant de toucher ou de nettoyer cette zone. NE PAS placer à proximité d'objets en plastique ou d'autres objets sensibles à la chaleur qui pourraient fondre ou brûler.

PRÉCAUTIONS DE SÉCURITÉ - AVANT DE COMMENCER (SUITE)

EXIGENCES DE VENTILATION

Il est fortement recommandé d'installer cet appareil avec une hotte Hestan. Les hottes Hestan ont été adaptées à la cote BTU de la cuisinière. En raison de la puissance calorifique élevée de cette cuisinière, il est très important que l'installation de la hotte et des conduits réponde aux codes de construction locaux et soit réalisée par un technicien qualifié.

N'utilisez pas de système de ventilation à tirage descendant.

Ne montez pas un ensemble four à micro-ondes / ventilateur au-dessus de la cuisinière. Ces types d'unités n'offrent pas un débit d'air suffisant pour évacuer la chaleur élevée de cette cuisinière et n'ont pas été testés avec ce type d'appareil.

Consultez le manuel d'installation pour plus de détails.

CONSULTEZ VOTRE CONCESSIONNAIRE HESTAN POUR CHOISIR LA HOTTE DE VENTILATION APPROPRIÉ POUR VOTRE APPAREIL HESTAN.



EN CAS DE PANNE DE COURANT

Tous les boutons de commande doivent être en position «OFF» pour éviter une mise en marche intempestive lors de la mise sous tension. Pour garantir la sécurité du client en cas de panne de courant, la cuisinière signalera une erreur en faisant clignoter le rétroéclairage d'un ou de plusieurs boutons lors du rétablissement de l'alimentation, à moins que tous les boutons ne soient en position OFF. Réglez tous les boutons sur OFF, puis reprenez le fonctionnement.

N'ESSAYEZ PAS D'UTILISER LA GAMME PENDANT UNE PANNE DE COURANT PROLONGÉE. Bien que les brûleurs supérieurs puissent être allumés manuellement, ils doivent être utilisés SEULEMENT LORSQU'ILS SONT SURVEILLÉS PAR L'UTILISATEUR. En cas de réglage de brûleur sur feux doux, si la flamme devait s'éteindre, une accumulation dangereuse de gaz pourrait provoquer une explosion.



LA SÉCURITÉ DES ENFANTS

IL INCOMBE AUX PARENTS OU AUX TUTEURS DE S'ASSURER QUE LES ENFANTS SONT INFORMÉS DE L'UTILISATION EN TOUTE SÉCURITÉ DE CET APPAREIL. Ne laissez pas les enfants utiliser cet appareil sans la surveillance d'un adulte. Ne laissez pas les enfants jouer dans ou autour de l'appareil, même lorsqu'ils n'est pas en service. Les articles qui intéressent les enfants ne doivent pas être stockés dans ou sur l'appareil, dans les éléments qui se trouvent au-dessus ni sur le dossier de l'appareil. Les enfants qui grimpent sur l'appareil pourraient être gravement blessés.



RISQUE DE BRÛLURE - Toutes les parties de la cuisinière peuvent devenir très chaudes pendant le fonctionnement. La vitre de la porte du four et les zones entourant la porte deviennent très chaudes. Ne laissez pas les enfants toucher l'appareil pendant le fonctionnement. Le non-respect de ces instructions peut entraîner des brûlures graves ou des blessures.

SÉCURITÉ TECHNIQUE

L'installation et l'entretien de cet appareil doivent être effectués par un installateur qualifié ou un technicien agréé d'entretien Hestan. Ne réparez ou ne remplacez aucune pièce de l'appareil à moins d'instructions précises à cet effet. Les pièces défectueuses ne doivent être remplacées que par des pièces d'origine Hestan. Contactez le service clientèle de Hestan pour toute demande ou pour organiser un dépannage.

L'appareil doit être débranché des alimentations en courant et en gaz pendant toute opération de réparation ou d'entretien.

Ne pas transporter ni soulever la cuisinière en la tenant par la poignée du four. Elle ne peut être soulevée qu'en la tenant par ses côtés.

PRÉCAUTIONS DE SÉCURITÉ - AVANT DE COMMENCER (SUITE)

SÉCURITÉ DE L'UTILISATEUR

AVERTISSEMENT

RISQUE DE BRÛLURE - Toutes les pièces de la cuisinière peuvent devenir très chaudes pendant le fonctionnement, en particulier la vitre de la porte du four et les zones environnantes. Ne touchez pas l'appareil pendant qu'il est en marche. Le non respect de ces instructions peut entraîner des brûlures graves ou des blessures graves. Utilisez des gants isolants / des gants pour vous protéger lorsque vous placez des aliments dans le four, ajustez les grilles, etc.

Le brûleur de gril se trouve dans la partie supérieure de la cavité du four et le brûleur de cuisson au four est caché sous le plancher de la cavité du four. Ces brûleurs peuvent être chauds, même s'ils ne brillent pas. Pendant ou après la cuisson, laissez suffisamment de temps pour que toutes les surfaces refroidissent.

Utilisez uniquement des gants isolants / gants secs et résistants à la chaleur. L'utilisation de maniques humides ou humides peut provoquer des brûlures dues à la vapeur. Ne remplacez pas les maniques par des torchons ou des articles similaires. Ces objets pourraient entrer en contact avec des surfaces chaudes et s'enflammer.

Évitez de porter des vêtements amples ou des manches longues pendant la cuisson. Ils pourraient s'enflammer. Pour votre sécurité personnelle, portez des vêtements appropriés lorsque vous utilisez l'appareil. Certains tissus synthétiques sont très inflammables et ne doivent pas être portés pendant la cuisson.

Ouvrez lentement la porte du four pour permettre à la chaleur et à la vapeur de s'échapper avant de placer ou de retirer des aliments du four. Gardez votre visage loin de l'ouverture pour éviter les blessures.

AVERTISSEMENT

Pour des raisons de sécurité, ne JAMAIS utiliser cet appareil en guise de chauffefer. Le fait de chauffer une pièce ainsi peut entraîner un empoisonnement au monoxyde de carbone ou une surchauffe du four.

N'utilisez pas le four comme espace de stockage. Les températures élevées peuvent également enflammer des objets inflammables à proximité.

AVERTISSEMENT

Ne JAMAIS recouvrir une fente, un trou ou une conduite dans le fond du four ni recouvrir entièrement un grille du four d'un matériau comme du papier d'aluminium. Un tel revêtement bloque la circulation d'air dans le four, ce qui peut entraîner un empoisonnement au monoxyde de carbone. De plus, le papier d'aluminium peut emprisonner la chaleur, ce qui risque de provoquer un incendie. N'utilisez pas de papier d'aluminium pour recouvrir les brûleurs de surface. Cela pourrait entraîner un risque de choc électrique ou d'incendie.

Ne permettez à personne de grimper, de se tenir debout, de marcher, de s'appuyer ou de s'asseoir sur une partie de l'appareil, en particulier sur la porte du four. Cela pourrait endommager l'appareil ou provoquer des blessures.

SÉCURITÉ CONTRE L'INCENDIE

Pour réduire le risque de feu, ne laissez pas les brûleurs de surface sans surveillance réglés sur feu vif. Les ébullitions pourraient étouffer les flammes et l'allumeur, ce qui permettrait au gaz non brûlé de s'échapper dans la pièce, qui pourrait entraîner une explosion.

Allumez toujours la hotte de ventilation pendant la cuisson. Nettoyez fréquemment les filtres à graisse de la hotte d'évacuation - ne laissez pas la graisse s'accumuler sur le ventilateur ou les filtres.

Utilisez la taille de casserole adaptée au brûleur utilisé. Pour des raisons de sécurité, ajustez la taille de la flamme afin qu'elle ne lèche pas les côtés de la casserole.

Gardez la zone de l'appareil dégagée et exempte de matériaux combustibles, d'essence et d'autres vapeurs et liquides inflammables. Ne stockez JAMAIS des liquides et matériaux inflammables dans, au-dessus

PRÉCAUTIONS DE SÉCURITÉ - AVANT DE COMMENCER (SUITE)

ou sur la cuisinière, ni près des surfaces de cuisson. Ne pas obstruer le flux d'air de combustion et de ventilation de l'appareil.

TOUJOURS avoir un détecteur de fumée fonctionnel près de la cuisine.

TOUJOURS avoir un extincteur à poudre chimique approprié à proximité. Éteuffez le feu ou les flammes en utilisant le couvercle de l'ustensile (casserole ou poêle), une plaque à biscuits ou un plateau en métal. Ensuite, éteignez le brûleur. Utilisez un extincteur, ou du bicarbonate de soude si le feu est petit et relativement circonscrit. **N'UTILISEZ PAS D'EAU SUR UN FEU DE GRAISSE.** Cela pourrait entraîner la propagation du feu ailleurs.

Ne JAMAIS ramasser une casserole enflammée. Vous pouvez renverser la graisse sur vous et être gravement brûlé.

Si elle est accessible, éteignez la hotte de ventilation en cas d'incendie, mais ne plongez pas le bras dans les flammes pour ce faire.

Si vos vêtements personnels ou vos cheveux prennent feu, laissez-vous tomber et roulez-vous immédiatement pour éteuffer les flammes. Consulter un médecin si nécessaire.

Ne suspendez aucun article à l'appareil et ne placez aucun objet contre la porte du four. Certains tissus sont hautement inflammables et pourraient s'enflammer.

SI LES FLAMMES NE S'ÉTEignent PAS, ÉVACUEZ LES LIEUX ET APPELEZ LES POMPIERS.

SÉCURITÉ PENDANT LE NETTOYAGE

Nettoyez l'appareil uniquement comme indiqué dans la section NETTOYAGE ET ENTRETIEN de ce manuel.

N'utilisez pas de nettoyeur à vapeur pour nettoyer le four ou une partie de la cuisinière. La vapeur peut pénétrer dans les composants électriques et provoquer un court-circuit et / ou un risque d'électrocution.

N'utilisez pas de nettoyeurs abrasifs, d'objets durs tels que des brosses ou des grattoirs, ou des outils métalliques tranchants pour nettoyer la vitre de la porte. Des rayures pourraient faire éclater le verre.

Ne frottez, remuez ni n'endommagez pas le joint d'étanchéité tressé de la porte. Si le joint est endommagé, il devra être remplacé.

Ne versez pas d'eau froide sur les surfaces chaudes à l'intérieur du four. La vapeur peut causer de graves brûlures. Le brusque changement de température pourrait également déformer les surfaces métalliques à l'intérieur du four, ce qui entraînerait un fissurage de l'émail.

Utilisez seulement une petite brosse à dents pour nettoyer les orifices de brûleurs et l'allumeur des brûleurs de surface. N'insérez pas d'objets pointus ou ne rayez pas les orifices de brûleurs.

Attendez que l'appareil ait complètement refroidi avant d'utiliser des nettoyeurs de type aérosol. Beaucoup de ces nettoyeurs utilisent des gaz propulseurs inflammables qui pourraient s'enflammer en présence de chaleur.

PRÉCAUTIONS DE SÉCURITÉ - AVANT DE COMMENCER (SUITE)

UTILISATION APPROPRIÉE

Ne laissez pas les aliments dans le four plus d'une heure avant ou après la cuisson. Cela pourrait entraîner une intoxication alimentaire ou une maladie.

Ne chauffez pas de récipients non ouverts (boîtes de conserve ou bocaux) dans le four. La pression risque de monter et de provoquer l'explosion du contenant, ce qui pourrait endommager le four ou blesser quelqu'un.

Placez toujours les grilles du four à la hauteur désirée avant la cuisson. Si elles doivent être déplacées à chaud, utilisez des maniques pour les déplacer et faites attention de ne toucher aucun élément chauffant.

Seuls certains types de verre, de vitrocéramique résistant à la chaleur, de terre cuite ou d'autres ustensiles vitrés peuvent être utilisés sur les brûleurs de surface. Cependant, ces types de matériaux peuvent se briser par suite de changements soudains de température. Utilisez uniquement les réglages à feu doux ou moyen et selon les instructions de leurs fabricants.

Les ustensiles de cuisson, tels que les grandes casseroles, les plaques à biscuits, etc. ne doivent pas être utilisés sur les brûleurs de surface. Les grandes plaques de cuisson qui s'étendent sur 2 brûleurs doivent être utilisées avec précaution et avec des réglages à feu moyen à doux pour éviter l'accumulation de chaleur qui pourrait déformer les grilles ou la cuvette du brûleur.

Positionnez toujours les poignées de la casserole et des poêles de sorte qu'elles ne s'étendent pas au-dessus des zones de travail contiguës ou du bord de la plaque de cuisson. C'est pour éviter de renverser le contenu chaud qui pourrait vous brûler, ou provoquer un incendie.

N'utilisez pas de casseroles ou de poêles sur la plaque chauffante (le cas échéant).

FR

NUMÉROS DE MODÈLE

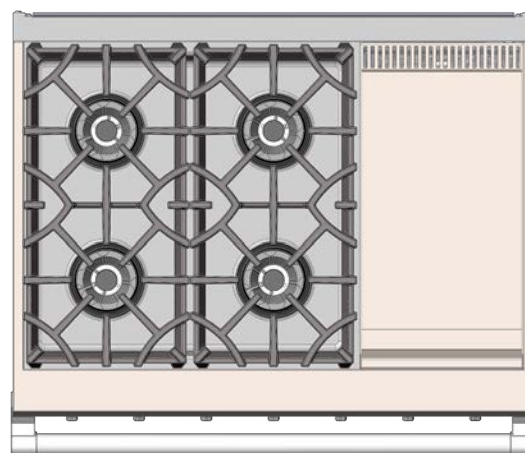
MODÈLES DE CUISINIÈRE

NO. MODÈLE	DESCRIPTION	DISJONCTEUR REQUIS
KRG365-NG / -LP	CUISINIÈRE À GAZ 36 po A 5 BRÛLEURS	15 Ampères
KRG364GD-NG / -LP	CUISINIÈRE À GAZ 36 po A 4 BRÛLEURS ET PLAQUE CHAUFFANTE	15 Ampères

FR



KRG365



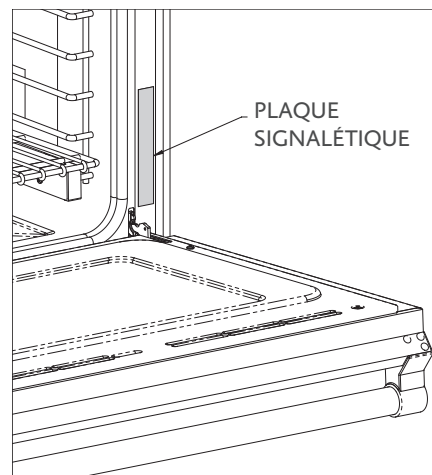
KRG364GD

PLAQUE SIGNALÉTIQUE

La plaque signalétique donne des informations importantes sur cet appareil Hestan telles que les numéros de série et de modèle, le type de gaz et la pression d'admission, les caractéristiques électriques, la cote BTU pour chaque type de brûleur et les dégagements minima d'installation.

La plaque signalétique se trouve sur le côté droit de l'ouverture de la cavité du four près de la charnière de la porte.

Si un entretien est nécessaire, contactez le service clientèle de Hestan avec les informations sur le modèle et le numéro de série figurant sur la plaque.



HESTAN COMMERCIAL CORP. ANAHEIM, CA - USA		MODEL / MODELE		SER NO / NO. SER.		PATENTED: http://www.hestanhome.com/patents.pdf		CONFORME TO ANSI Z21.1-2016 - CSA 1.1-2016 CONFORME AU CANADIAN ANS Z21.1-2016 - CSA 1.1-2016 APPAREIL ELECTROMENAGER DE CUISSON AU GAZ VENTO UNIT - SEE INSTALLATION MANUAL UNITE VENTILEE - VOIR LE MANUEL D'INSTALLATION				
VOLTS	GAS TYPE TYPE DE GAZ	BURNER RATINGS (BTU/HOUR)				MIN. CLEARANCES (DEGAGEMENTS)						
Hz	OUTLET PRESSURE (PRESS. SORTIE)	FRONT BURNER (BRULEUR AVANT)	REAR BURNER (BRULEUR ARRIERE)	SIDDLE PLAQUE CHAUFAINT	UPPER BURNER (BRULEUR POUR SUPREUR)	LOWER BURNER (BRULEUR POUR INFRIEUR)	TO TOP AU SOMMET	TO BOTTOM AU FOND				
PHASE	INCH V.I.C.							COMBUSTIBLE	NON-COMBUSTIBLE			
AMPS	NEW							12"	0"			
								12"	0"			

RESPECT DE LA RÉGLEMENTATION ET DES CODES EN VIGUEUR

L'installation de cet appareil de cuisson doit être effectuée conformément aux codes locaux. En l'absence de tels codes, installer cet appareil conformément au National Fuel Gas Code ANSI Z223.1/NFPA 54, au code Natural Gas and Propane Installation CSA B149.1 ou au Propane Storage and Handling Code B149.2.

Tous les composants électriques doivent être mis à la terre conformément aux codes locaux ou, en l'absence de tels codes, au National Electrical Code ANSI/NFPA 70 ou au Code national de l'électricité du Canada CSA C22.1.

COMMUNAUTÉ DU MASSACHUSETTS

Le Communauté du Massachusetts exige que toutes les installations au gaz soient effectuées par un plombier ou monteur d'installations au gaz titulaire d'une autorisation appropriée délivrée par le Massachusetts. Toutes les installations à demeure fonctionnant au propane ou au gaz naturel exigent la pose d'un robinet manuel de gaz à poignée en T sur la conduite d'alimentation en gaz de l'appareil. Le tuyau de raccordement flexible de gaz ne doit pas dépasser 48 po [1,2 m].

PROPOSITION 65 DE CALIFORNIE – MISE EN GARDE



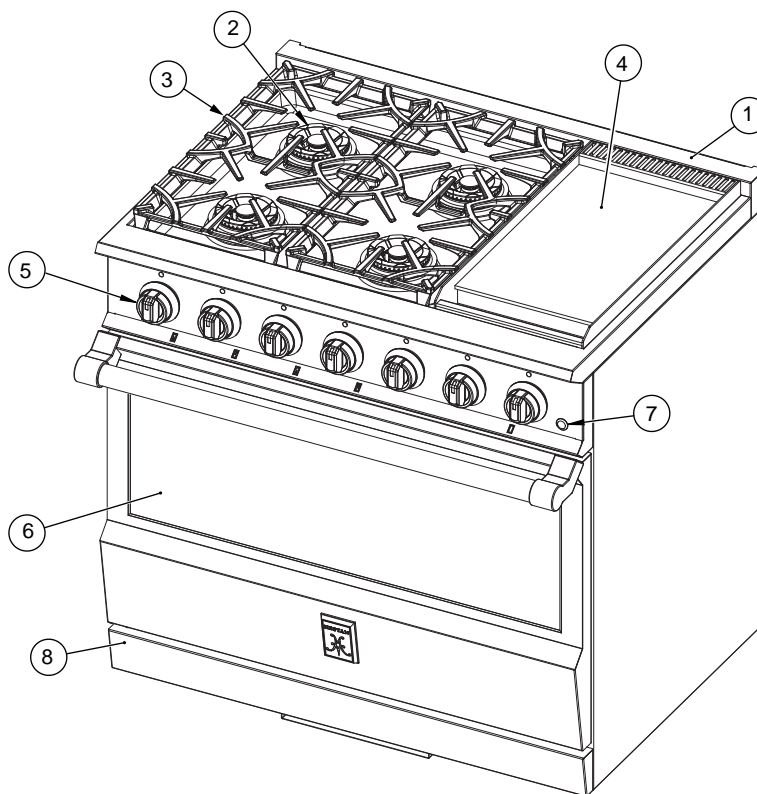
AVERTISSEMENT Ce produit peut vous exposer à des produits chimiques, y compris le monoxyde de carbone, qui est reconnu par l'État de Californie comme causant le cancer. Pour plus d'informations, visitez www.P65Warnings.ca.gov.

COMMENT COMMENCER AVEC VOTRE APPAREIL

IDENTIFICATION DE COMPOSANTS

Utilisez les images ci-dessous pour vous familiariser avec les différentes parties de la cuisinière et du four.

1. Dossieret Profilé pour Îlot (inclus)*
2. Brûleur Scellé
3. Grille de Brûleur
4. Plaque Chauffante (les modèles GD)
5. Boutons de Commande
6. Four
7. Commutateur d'Éclairage
8. Plinthe

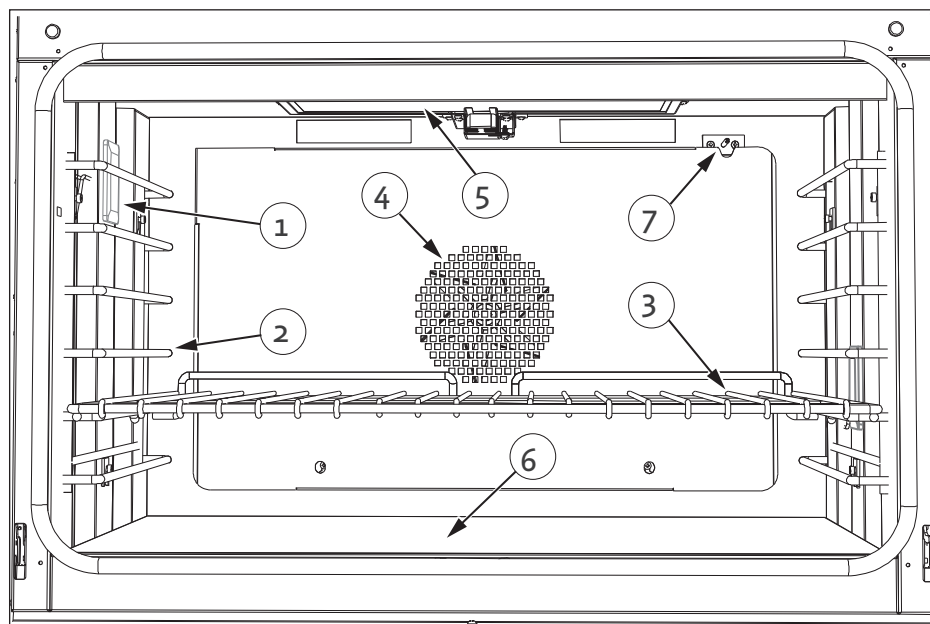


FR

* Dossieret Bas ou Étagère Haute commandé séparément..

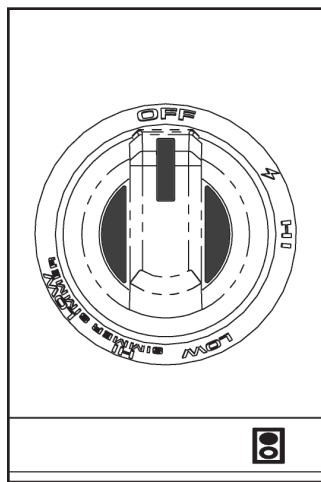
MODÈLE KRG364GD REPRÉSENTÉ

1. Lumière Intérieure (2)
2. Guides d'échelle à 6 Positions
3. Grille de Four (3 incluses)
4. Couvercle de Ventilateur
5. Brûleur de Grillage
6. Brûleur de Cuisson (caché)
7. Capteur de Temperature



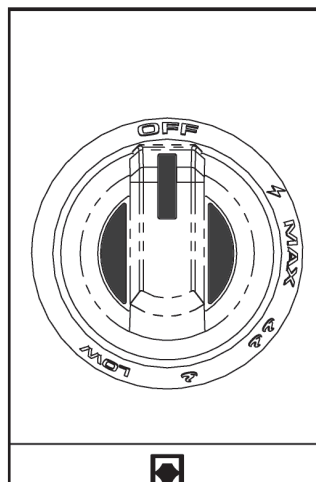
COMMENT COMMENCER AVEC VOTRE APPAREIL (SUITE)

FR



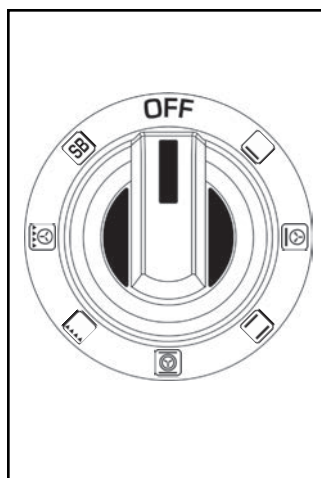
**BRULEUR
DOUBLE FLUX**

TOURNEZ VERS LA GAUCHE JUSQU'À « HI » POUR ALLUMER LE BRÛLEUR. AJUSTEZ LA FLAMME AU BESOIN. IL Y A 3 POSITIONS DE DÉTENTE POUR FACILITE D'UTILISATION.



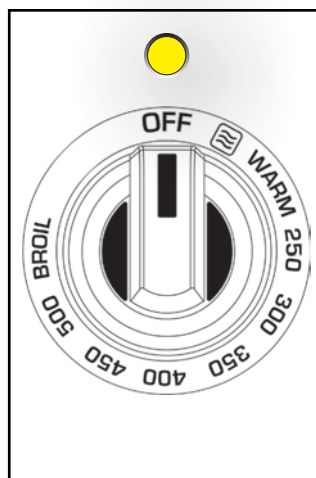
**BRULEUR À
FLUX SIMPLE**

TOURNEZ VERS LA GAUCHE JUSQU'À « MAX » POUR ALLUMER LE BRÛLEUR. AJUSTEZ LA FLAMME AU BESOIN. IL YA UN DÉTENTE À LA POSITION « MAX » UNIQUEMENT.



**SÉLECTEUR DE MODE
DU FOUR**

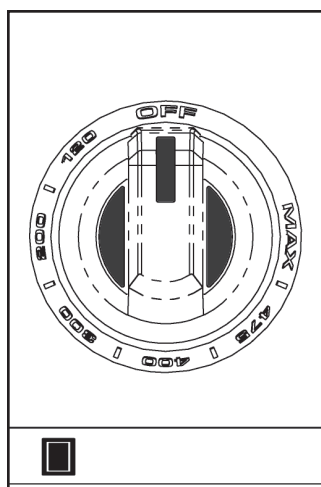
TOURNEZ À GAUCHE OU À DROITE POUR SÉLECTIONNER LE MODE DU FOUR



**TEMPERATURE
DU FOUR**

La LED indique qu'un ou les deux brûleurs du four sont actifs.

TOURNEZ À GAUCHE OU À DROITE POUR SÉLECTIONNER LA TEMPÉRATURE DU FOUR



**TEMPERATURE
DE PLAQUE
CHAUFFANTE**

TOURNEZ VERS LA DROITE POUR SÉLECTIONNER LA TEMPÉRATURE DE PLAQUE CHAUFFANTE

COMMENT COMMENCER AVEC VOTRE APPAREIL (SUITE)

GRILLES DU FOUR



RISQUE DE BRÛLURE - Pour éviter les brûlures, ne jamais retirer ni repositionner les grilles du four lorsque le four est en marche ou qu'il refroidit.

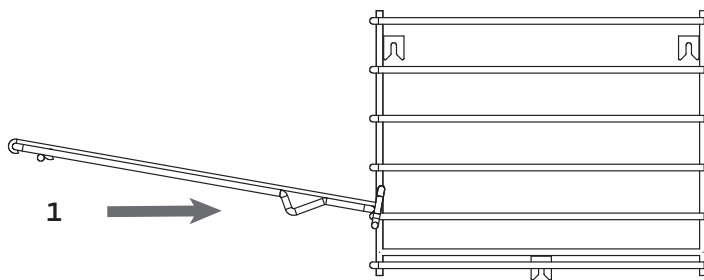


Pour des raisons de sécurité, NE couvrez JAMAIS les fentes, les trous ou les passages dans le fond du four et ne couvrez jamais toute une grille du four de matériaux tels que du papier d'aluminium. Cela empêche l'air de circuler dans le four et peut provoquer un empoisonnement au monoxyde de carbone. Les revêtements en papier d'aluminium peuvent également emprisonner la chaleur et provoquer un incendie.

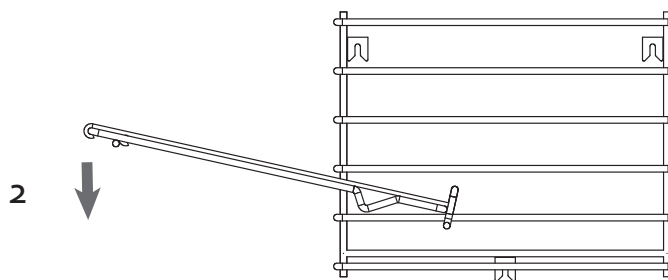
PLACEMENT DES GRILLES DE FOUR

Le four comporte des guides d'échelle sur les côtés gauche et droit du four avec 6 positions. Choisissez la ou les positions du grilles qui vous donneront la meilleure cuisson, la meilleur rôtissage, etc. pour votre recette. La position n° 3 (en partant du bas) est la plus populaire (position centrale verticale).

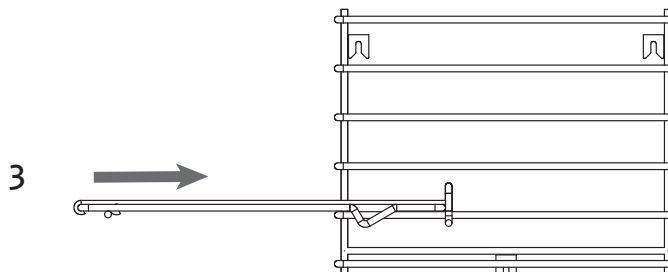
1. Tout en soulevant légèrement l'avant de la grille de four, placez les crochets inférieur arrière sous l'échelle souhaitée, puis faites-le glisser vers l'arrière de 5 po [13 cm].



2. Abaissez la grille de four jusqu'à ce qu'il soit presque à niveau



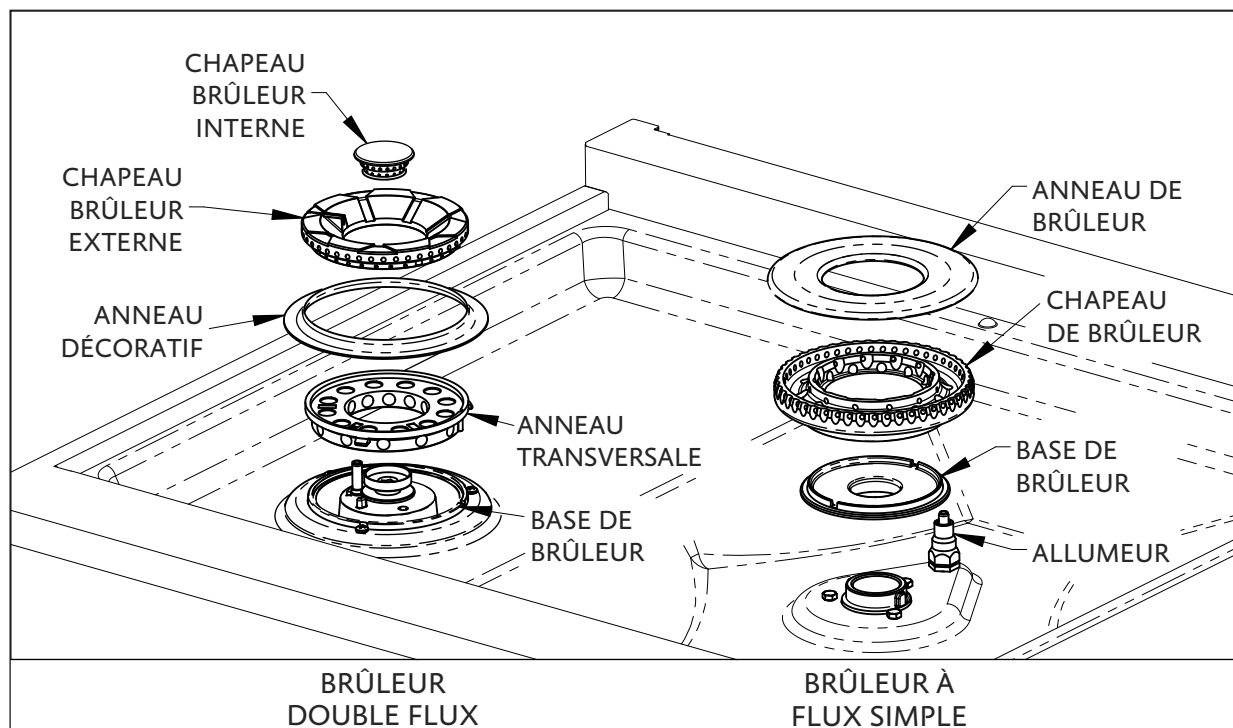
3. Continuez à faire glisser la grille dans le four jusqu'à ce qu'elle soit complètement à l'intérieur.



COMMENT COMMENCER AVEC VOTRE APPAREIL (SUITE)

BRÛLEURS SCÉLLÉS

Assurez-vous que les chapeaux des brûleurs scellés sont bien en place sur la base du brûleur comme indiqué ci-dessous. Il y a des encoches sur la base du brûleur et une anneau transversale pour faciliter l'alignement. Le dessus du chapeau du brûleur externe comporte une longue fente qui s'aligne sur l'allumeur par étincelle. L'assemblage du chapeau du brûleur à flux simple est similaire.



UTILISATION INITIALE

Assurez-vous qu'il n'y a pas de matériaux d'emballage à l'intérieur du four. Retirez toute étiquette ou film plastique de l'extérieur de l'appareil. Avant d'utiliser votre four pour la première fois, il sera nécessaire d'effectuer un cycle de cuisson pour brûler les huiles de fabrication et les résidus de la cavité du four. Cela peut produire un peu de fumée et une odeur. Ceci est normal et est typique de tout nouveau four lors de la première utilisation. Si l'odeur est forte, faites sortir les personnes et les animaux de la cuisine pendant cette période. Ouvrez toutes les fenêtres pour évacuer l'odeur de la pièce.

Installez toutes les grilles du four. Allumez votre hotte et faites fonctionner le four en mode de cuisson (BAKE) à 500°F [260°C] pendant 1 heure et demie. Laisser refroidir complètement avant d'essayer de cuire.

COMMENT COMMENCER AVEC VOTRE APPAREIL (SUITE)

CHAPEAUX DE BRÛLEURS

Si le chapeau de brûleur n'est pas bien en place, un ou plusieurs des problèmes suivants peuvent se produire:

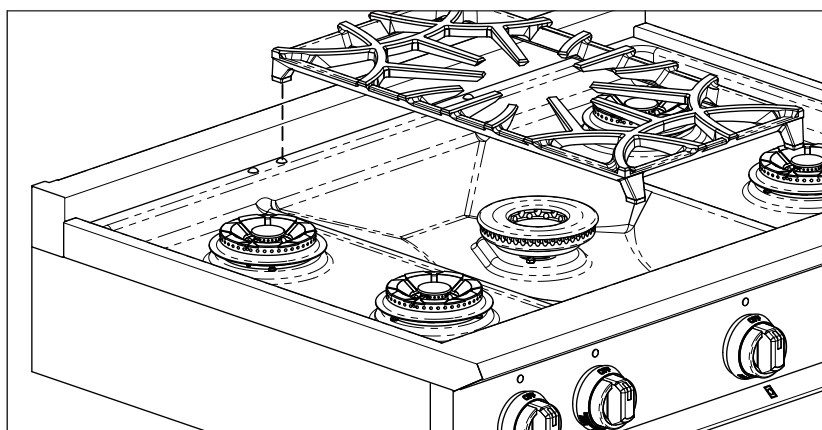
- Flammes trop hautes
- Flammes jaillissant hors des brûleurs
- Non-allumage des brûleurs
- Flammes irrégulières
- Émission d'une odeur de gaz par le brûleur

AVERTISSEMENT

RISQUE DE BRÛLURE - Pour éviter les brûlures, ne touchez pas le chapeaux des brûleurs ni les grilles de cuisson quand ils sont chauds. Laissez-les refroidir complètement. Pour éviter les flambées, n'utilisez pas le brûleur si tous les chapeaux des brûleurs ne sont pas bien en place. N'utilisez pas de papier d'aluminium pour recouvrir les brûleurs de surface. Cela pourrait entraîner un risque de choc électrique ou d'incendie.

GRILLES DE BRÛLEURS

Voir l'illustration pour le placement correct des grilles de brûleurs. Il y a de petites bossages ronds à l'avant et à l'arrière de la cuvette du brûleur pour aider à aligner les grilles et à les maintenir en position les unes par rapport aux autres.



PLAQUE CHAUFFANTE

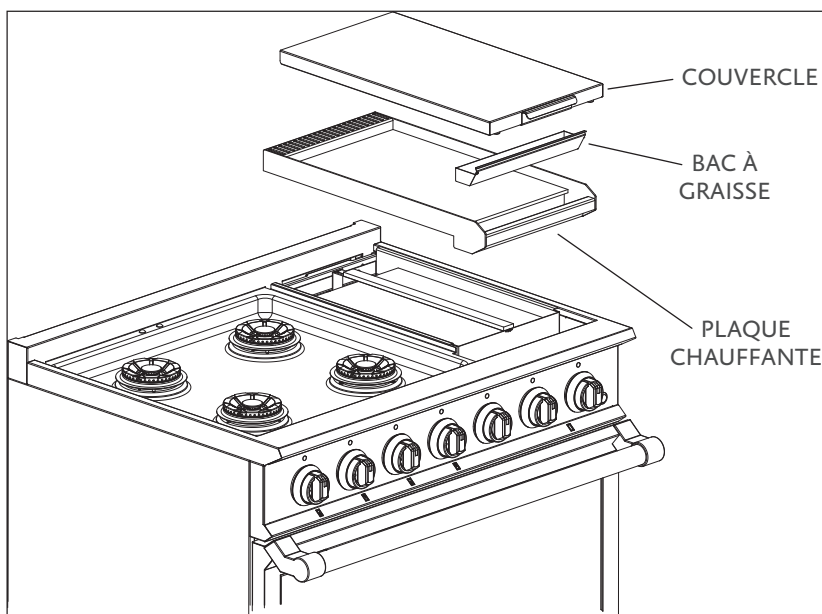
(les modèles GD)

Voir l'illustration pour l'emplacement correct de la plaque chauffante et du bac à graisse.

PRÉCAUTION

Assurez-vous de retirer le couvercle avant d'allumer la plaque chauffante.

La plaque est en acier inoxydable et ne nécessite aucun assaisonnement. Le bac à graisse a un revêtement antiadhésif pour un nettoyage facile.



UTILISATION DE LA TABLE DE CUISSON

BOUTONS DE COMMANDE DES BRÛLEURS

Chaque brûleur scellé a son propre bouton de commande. Le symbole sous chaque bouton indique quel brûleur est contrôlé par chaque bouton. Poussez et tournez à GAUCHE (sens antihoraire) sur «HI» pour allumer la flamme, puis tournez au réglage de flamme désiré.

TYPES DE BRÛLEUR ET CAPACITÉ

Ce tableau indique le type et la puissance de chaque brûleur scellé. Les brûleurs à double flux ont une rangée interne et externe d'orifices, avec une fonction de mijotage. Le brûleur à flux simple (certains modèles) est similaire à un brûleur commercial et offre un rendement très élevé et une fonction de feu doux, mais pas de mijotage.

CAPACITÉ DES BRÛLEURS - GAZ NATUREL

DOUBLE-FLUX (AVANT)	CAPACITÉ (BTU/h)	DOUBLE-FLUX (ARRIÈRE)	CAPACITÉ (BTU/h)	FLUX SIMPLE	CAPACITÉ (BTU/h)
HI	23000	HI	15500	MAX	30000
LOW	4200	LOW	4200	LOW	4200
SIMMER HI	1500	SIMMER HI	1500		
SIMMER LOW	500	SIMMER LOW	500		

CAPACITÉ DES BRÛLEURS - PROPANE LIQUIDE (GPL)

DOUBLE-FLUX (AVANT)	CAPACITÉ (BTU/h)	DOUBLE-FLUX (ARRIÈRE)	CAPACITÉ (BTU/h)	FLUX SIMPLE	CAPACITÉ (BTU/h)
HI	23000	HI	15500	MAX	22000
LOW	4200	LOW	4200	LOW	4200
SIMMER HI	1500	SIMMER HI	1500		
SIMMER LOW	600	SIMMER LOW	600		

RALLUMAGE

Chaque brûleur scellé possède son propre module électronique d'allumage par étincelle avec technologie de détection de flamme et capacité de rallumage automatique. Si un brûleur devait s'éteindre, l'allumeur rallume automatiquement le brûleur.

Chaque brûleur devrait s'allumer en moins de 4 secondes. Une fois allumé, les étincelles s'arrêteront. À mijotage très doux, une étincelle occasionnelle peut se produire. Cela est généralement dû à une courant d'air dans la pièce. Si un allumeur continue à étinceler même avec une flamme présente, il pourrait y avoir un problème de câblage électrique, ou un autre problème. Pour plus de détails, voir la section DÉPANNAGE de ce manuel.



NE PAS toucher le brûleur ni les allumeurs lorsque des étincelles se produisent. Un risque de choc électrique ou de brûlure pourrait se produire.

ALLUMAGE MANUEL / PANNE DE COURANT

LE FOUR ET LA PLAQUE CHAUFFANTE NE PEUVENT PAS ÊTRE UTILISÉS PENDANT UNE PANNE DE COURANT.

Chaque brûleur scellé peut être allumé manuellement en cas de panne de courant. Il est nécessaire d'allumer chaque brûleur individuellement.

Si une panne de courant se produit PENDANT que vous utilisez les brûleurs scellés, tournez tous les boutons à la position «OFF» - puis allumez manuellement avec une allumette ou un allume-feu.

Positionnez l'allumette ou l'allume-feu sur l'orifice le plus proche de l'allumeur, puis tournez le bouton sur «HI» jusqu'à ce que la flamme soit allumée. Attendez que la flamme soit allumée tout autour du brûleur avant de régler le bouton sur «LOW» ou «SIMMER».

SI VOUS PERCEVEZ UNE ODEUR DE GAZ, tournez tous les boutons de commande sur «OFF» - vérifiez les précautions indiquées dans la section SÉCURITÉ de ce manuel.

UTILISATION DE LA TABLE DE CUISSON (SUITE)

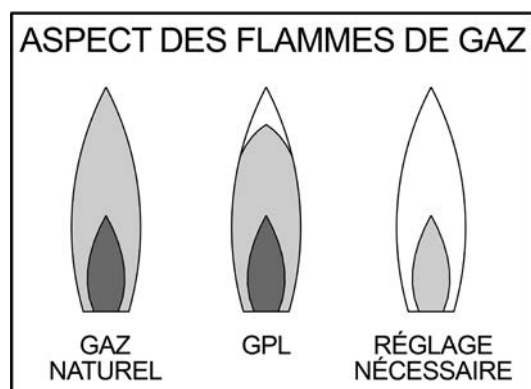
HAUTEUR DE FLAMME

La hauteur de la flamme dépend de la taille de la poêle utilisée et de la quantité de nourriture ou de liquide dans la poêle. En d'autres termes, n'utilisez pas une petite poêle sur une grande flamme. Pour des raisons de sécurité, réglez la hauteur de la flamme de manière à ce qu'elle ne dépasse pas, ou ne lèche pas les côtés de votre casserole ou poêle. Ce comportement entraîne un mauvais chauffage du contenu de la poêle, de la nourriture brûlée sur les côtés de la poêle, du gaspillage de combustible, etc.

Utilisez une flamme faible ou moyenne avec les ustensiles qui chauffent lentement, comme les casseroles en vitrocéramique.

FR

CARACTÉRISTIQUES DE FLAMME



Flamme bleu clair - Flamme normale de gaz naturel

Flamme bleu clair avec des pointes jaunes - Flamme normale de gaz GPL

Flamme jaune - Réglage nécessaire

Si la flamme est principalement ou entièrement jaune, vérifiez à nouveau la position des chapeaux de brûleurs pour voir s'ils sont bien en place et / ou consultez la section PHASE FINALE du Manuel d'Installation pour plus de détails.

COMMENT UTILISER VOTRE TABLE DE CUISSON

BRÔLEURS DOUBLE FLUX

Les brûleurs double flux présentent l'avantage d'offrir un contrôle et une précision qui permettent d'obtenir les meilleurs résultats possibles.

Le mijotage à feu doux est idéal pour réchauffer les aliments délicats sans craindre de les brûler, de s'ébouillanter ou de les faire déborder. Quelques suggestions incluent:

- Fusion de chocolat
- Réchauffage de lait ou de crème
- Fusion de sucre
- Cuisson lente ou à l'étouffée

BRÔLEUR FLUX SIMPLE (certains modèles)

Ideal pour:

- Saisie
- Ébullition de l'eau
- Grandes casseroles – elles permettent une répartition uniforme de la chaleur sur des grandes surfaces
- Cuisine au wok: Nous conseillons un wok de 14 à 16 po [36 à 41 cm] pour obtenir les meilleurs résultats.

RECOMMANDATIONS EN MATIÈRE D'USTENSILES

Comme indiqué de «UTILISATION APPROPRIÉE» à la page 8, les ustensiles de cuisson tels que les grandes casseroles, les plaques à biscuits, etc. ne doivent pas être utilisés sur les brûleurs de surface. Les grandes plaques chauffantes qui s'étendent sur 2 brûleurs doivent être utilisées avec précaution et avec des réglages à feu moyen ou doux afin d'éviter une accumulation de chaleur qui pourrait déformer les grilles ou la cuvette du brûleur.

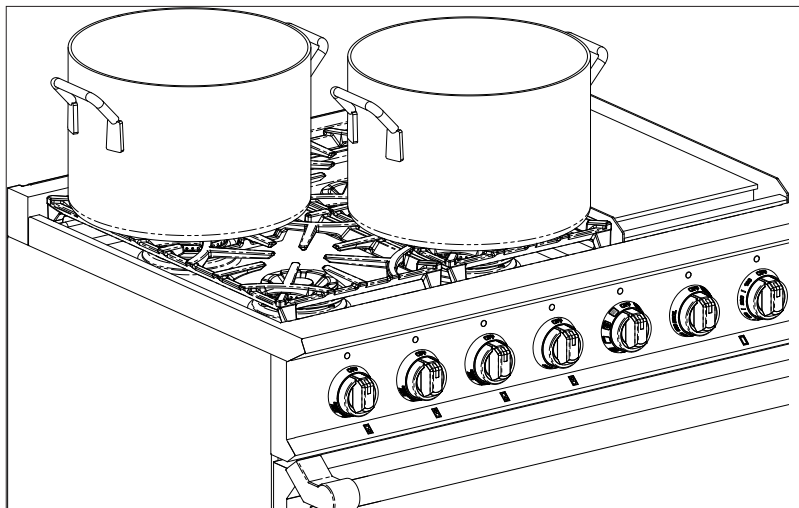
UTILISATION DE LA TABLE DE CUISSON (SUITE)

Les grandes marmites doivent être décalées lorsqu'elles sont utilisées sur la table de cuisson (voir l'illustration).

Ne pas cuire sur une feuille d'aluminium ni dans des moules en aluminium mince jetables. Ceux-ci peuvent fondre.

Ne laissez jamais une casserole chauffer à sec. Si vous attendez trop longtemps, la casserole pourrait fondre, ou endommager l'appareil.

Utilisez uniquement des casseroles de haute qualité avec des poignées en métal. Certaines poignées en plastique pourraient fondre sous la chaleur intense des brûleurs.



UTILISATION DE LA PLAQUE CHAUFFANTE (CERTAINS MODÈLES)

BOUTON DE COMMANDE DE PLAQUE CHAUFFANTE

La plaque chauffante est commandée avec une plage de température de 120°F - MAX (environ 500°F) [49°C - 260°C]. Poussez et tournez vers la DROITE (dans le sens horaire) pour sélectionner la température désirée pour les aliments que vous faites cuire.

AVERTISSEMENT

Pour éviter les blessures, N'UTILISEZ PAS la plaque chauffante sans la plaque de cuisson et le bac à graisse en place. Retirez le couvercle avant de cuisiner.

PRÉCAUTION

La plaque chauffante est très chaude après utilisation. Laissez-lui suffisamment de temps pour refroidir avant de la nettoyer.

N'UTILISEZ PAS d'ustensiles en métal (casseroles, poêles, etc.) sur la surface de la plaque chauffante. Veillez à ne pas gouger ni provoquer de profondes rayures sur la surface de la plaque chauffante. NE PAS couper directement sur la plaque de cuisson.

PREMIÈRE OPÉRATION

Avant d'utiliser votre plaque chauffante pour la première fois, nettoyez la plaque de cuisson et le bac à graisse avec de l'eau chaude savonneuse puis rincez soigneusement et séchez. Lorsque vous chauffez la plaque pour la première fois, un peu de fumée et une légère odeur peuvent se dégager lorsque les huiles de fabrication restantes sont brûlées. La plaque en acier inoxydable se décolore d'une couleur paille, à un brun très foncé ou noir, en fonction des aliments que vous faites cuire sur la surface.

CUISSON SUR LA PLAQUE CHAUFFANTE

Quand il s'agit de se servir de la plaque chauffante, Il convient de garder certaines choses à l'esprit:

- Au fur et à mesure que le temps passe et que la plaque chauffante est utilisée plus souvent, il se peut que celle-ci se décolore, ce qui est normal.
- Lorsqu'on vide le bac de récupération, veiller à vider la graisse dans un récipient adapté à la mise au rebut de l'huile, pas dans l'évacuation des eaux usées. Ne pas gratter avec des ustensiles métalliques.

Il faudra un peu de pratique pour apprendre à savoir comment votre plaque de cuisson fonctionne avec certains aliments. Le tableau ci-dessous donne quelques recommandations.

UTILISATION DE LA PLAQUE CHAUFFANTE (SUITE)

PRODUIT ALIMENTAIRE	TEMPÉRATURE DE PLAQUE
DES ŒUFS	300 - 325°F [149 - 163°C]
CRÊPES, PAIN PERDU	400 - 425°F [204 - 218°C]
POMMES DE TERRE RISSOLÉES (surgelées)	475 - 500°F [246 - 260°C]
POITRINE DE POULET (DÉSOSSÉE)	425 - 450°F [218 - 232°C]
BACON, SAUCISSE	450 - 475°F [232 - 246°C]
STEAK 1 po (25mm)	450 - 475°F [232 - 246°C]
HAMBURGER 6 oz (170 g)	450 - 475°F [232 - 246°C]

FR

NETTOYAGE DE LA PLAQUE CHAUFFANTE

Lisez la section NETTOYAGE ET ENTRETIEN de ce manuel pour des instructions complètes.

N'inondez JAMAIS la plaque chauffante chaude avec de l'eau froide. Cela peut déformer définitivement la plaque.

Ne mettez pas votre plaque de cuisson dans le lave-vaisselle, car cela endommagerait votre appareil.

Attendez que l'appareil soit complètement refroidi avant de le nettoyer.

UTILISATION DU FOUR

CONSEILS ET ASTUCES SUR L'UTILISATION DE VOTRE FOUR

Lorsqu'on commence à se servir de la cuisinière Hestan, il est important de prendre le temps de se familiariser avec les nouveaux réglage et le fonctionnement de cet appareil. Il se peut que les cuisinières utilisées précédemment aient un fonctionnement différent de celui de la Hestan – prendre le temps de s'habituer à celle-ci.

COMMENT OBTENIR LES MEILLEURS RÉSULTATS LORS DE LA CUISSON AU FOUR

- De nombreuses recettes donnent en matière de grilles des conseils qu'il vaut mieux respecter.
- Après quelques utilisations de la nouvelle cuisinière, on se sentira plus à l'aise avec le positionnement des grilles et les réglages de température.
- Éviter d'ouvrir la porte du four pendant la cuisson. Cela empêchera la chaleur de s'échapper et permettra d'obtenir les meilleurs résultats.
- Veiller à préchauffer le four à la température de cuisson indiquée dans la recette.
- Lorsqu'on cuit sur plusieurs grilles, étaler les plats en les espaçant d'au moins 2 po.
- Ne pas oublier que des plats différents cuisent et chauffent différemment.
- Les plats antiadhésifs de couleur claire produisent une croûte dorée et tendre.
- Les plats antiadhésifs de couleur sombre produisent une croûte plus foncée et croustillante.
- Généralement, quand on utilise tout mode de convection, il est conseillé de réduire la température de 25°F [14°C], bien que cela ne soit pas applicable à toutes les recettes ni aux viandes et à la volaille.

POSITION DES GRILLES / AVANT DE CUIRE

Les positions des grilles de four dépendent des aliments que vous faites cuire ou rôtir. Suivez les instructions, ou fiez-vous à votre expérience la plus concluante, quant à la position de grille préférable pour une recette donnée.

Toutes les grilles de four n'ont pas besoin d'être conservées dans le four. Si vous constatez que vous n'avez besoin que d'une ou deux grilles la plupart du temps, retirez la grille supplémentaire et rangez-la dans un endroit où il sera facile de la trouver si vous en avez besoin plus tard.

UTILISATION DU FOUR (SUITE)

TOUJOURS placer les grilles du four à la hauteur désirée avant la cuisson. Si les grilles doivent être déplacées lorsqu'elles sont chaudes, utilisez des gants isolants pour les déplacer et faites attention de ne pas toucher les pièces chaudes du four.

Minimisez le temps d'ouverture de la porte du four en utilisant la lumière du four.

GUIDE RAPIDE POUR LA POSITION DES GRILLES / UTILISATIONS

Choisir la ou les positions de grille(s) qui produisent la meilleure qualité de cuisson, de rôtissage, etc. pour la recette. La position de grille N° 3 (en partant du bas) est la position la plus couramment utilisée (position verticale centrale).

MODE DU FOUR	POSITIONS DE GRILLES SUGGÉRÉES	LES USAGES
LEVAGE	S/O	Préférable pour faire lever la pâte à pain.
CUIRE	Grille centrale N°3	Mieux adaptée aux aliments cuits au four. Cuisson sur une seule grille. Il s'agit du mode standard pour la plupart des recettes.
CUIRE PAR CONVECTION	Grille unique: N°3 Deux grilles: N°3 et °5	Dans ce mode, un ventilateur au fond du four facilite un déplacement d'air uniforme dans tout le four pour une cuisson uniforme.
RÔTISSAGE	Grille centrale: N°3	Rôtissage des morceaux de viande les moins tendres, tels que le rosbif. Convient également aux ragoûts qui doivent être couverts.
RÔTISSAGE PAR CONVECTION	Grille centrale: N°3	Ce mode permet d'obtenir de la volaille et des viandes saisies à l'extérieur, tendres et juteuses à l'intérieur. Idéal pour rôtir les morceaux tendres de bœuf, d'agneau et de volaille.
GRILLAGE	Grille N°5 pour les steaks, hamburgers, etc. d'une épaisseur maximum de 1 po [2,5 cm]. Grille N°4 pour les steaks, hamburgers, etc. d'une épaisseur d'au moins 1 po [2,5 cm].	Cuisson au grilloir des viandes, poissons et morceaux de volailles. Chauffage direct par le haut seulement. Préchauffer pendant 3-4 minutes avant de commencer à cuire.
GRILLAGE PAR CONVECTION	Grille N°5 pour les steaks, hamburgers, etc. d'une épaisseur maximum de 1 po [2,5 cm]. Grille N°4 pour les steaks, hamburgers, etc. d'une épaisseur d'au moins 1 po [2,5 cm].	Raccourcit les temps de cuisson au grilloir pour les morceaux les plus épais de viande, de poisson et de volailles. Préchauffer pendant 3-4 minutes avant de commencer à cuire.

PRE-CHAUFFAGE

De nombreuses recettes nécessitent le préchauffé du four. Reportez-vous à votre recette pour les instructions. Le temps de préchauffage dépend du mode et de la température sélectionnés, ainsi que du nombre de grilles à l'intérieur du four.

- Le voyant est allumé lorsque le gril ou le brûleur principal est actif.
- La LED sera allumée pendant le chauffage du four
- La LED s'éteint lorsque le four est à la température désirée.

Pendant la cuisson, le ou les brûleurs s'allument et s'éteignent pour maintenir la température réglée et le voyant indique l'activité du brûleur.

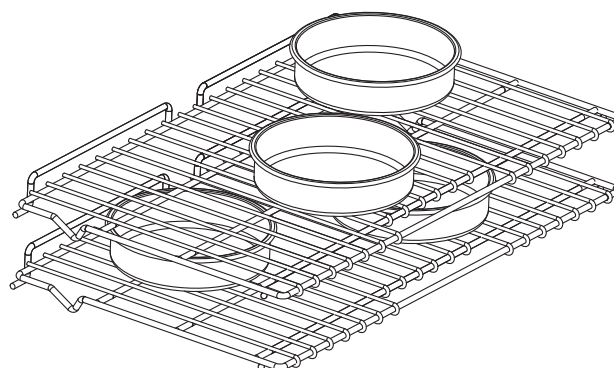
UTILISATION DU FOUR (SUITE)

USTENSILES DE CUISSON APPROPRIÉS / PLACEMENT

Les ustensiles de cuisson convenant à votre four Hestan sont ceux en métal, en verre résistant à la chaleur (Pyrex®), en vitrocéramique, en terre cuite, etc. Les plaques à biscuits / moules à gâteaux roulés avec une petite lèvre conviennent également. Des plaques plus épaisses ou à double face peuvent augmenter les temps de cuisson.

Décaler plusieurs moules à gâteaux comme indiqué ici. Laisser environ 2 po [5 cm] d'espace entre toutes les poêles et les parois du four pour permettre la circulation de l'air chaud à l'intérieur du four.

FR



UTILISATION DU FOUR (SUITE)

CUISSON AU FOUR

Les pages suivantes vous aideront à vous servir des différentes commandes du four. Votre recette vous guidera sur les meilleurs modes de cuisson. Cependant, la sécurité alimentaire (manipulation, cuisson, stockage) est très importante pour prévenir les maladies d'origine alimentaire. Le tableau ci-dessous contient des recommandations pour assurer votre sécurité et celle de votre famille.

FR

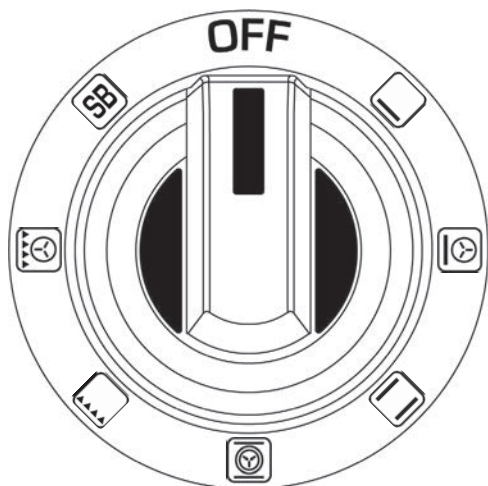
PRODUIT ALIMENTAIRE	TEMPERATURES INTERNES MINIMALES SURE
VIANDE HACHÉE (BOEUF, VEAU, AGNEAU, PORC)	160°F [72°C]
BOEUF, VEAU, RÔTI D'AGNEAU, STEAK, CÔTELETES	Mi-saignant - 145°F [63°C]
	À point - 160°F [72°C]
	Bien Cuit - 170°F [77°C]
RÔTI DE PORC, STEAK, CÔTELETES	À point - 160°F [72°C]
	Bien Cuit - 170°F [77°C]
JAMBON	Cru - 145°F [63°C]
	Réchauffer les jambons cuits emballés dans des usines inspectées par l'USDA 140 °F [60°C] et tous les autres à 165 °F [74°C]
POULET/DINDE HACHÉ	165°F [74°C]
POULET/DINDE ENTIER	180°F [82°C]
POITRINE DE VOLAILLE, RÔTI DE VOLAILLE	165°F [74°C]
CUISSE DE VOLAILLE, AILES DE VOLAILLE	165°F [74°C]
FARCE (cuite seule)	165°F [74°C]
PLATS D'OEUFS	160°F [72°C]
POISSONS ET CRUSTACÉS	145°F [63°C]
LES RESTES	165°F [74°C]
CASSEROLES	165°F [74°C]

- Des températures internes minimales sûres selon les directives du service d'inspection et de contrôle de la sécurité sanitaire des denrées alimentaires du Ministère Américain de l'Agriculture.

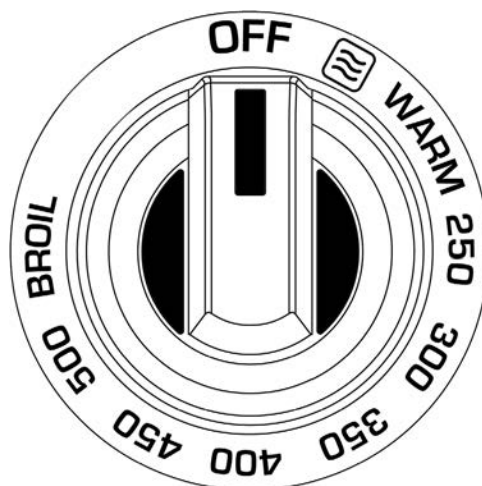
COMMANDES DU FOUR

FORMAT DE L’AFFICHAGE / ICÔNES DES BOUTONS

FR



SELECTEUR DE
MODE DU FOUR



TEMPÉRATURE
DU FOUR

Icônes des fonctions du four



Cuisson



Grillage



Cuisson par
Convection



Grillage par
Convection



Rôtissage



Levage par
Fermentation



Rôtissage par
Convection



Mode
Sabbat

COMMANDES DU FOUR (SUITE)

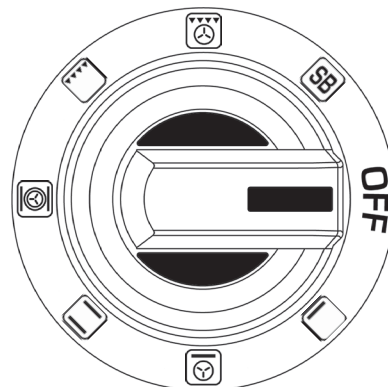
UTILISATION FONDAMENTAL

Pour la plupart des utilisateurs, réglez simplement le sélecteur de mode, puis la température.

Le voyant LED s'allume puis s'éteint lorsque le four atteint la température définie. Voir «PRE-CHAUFFAGE» à la page 20.

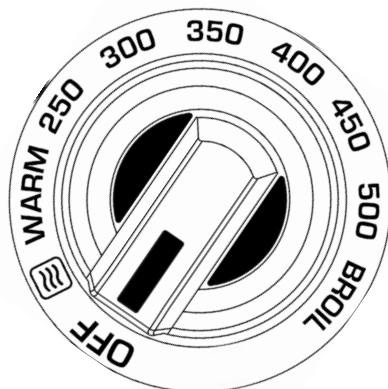
Dans l'exemple ci-dessous, le bouton de sélection de mode a été réglé sur la fonction Convection Broil. Le bouton de température du four a été réglé à 350°F.

Une fois la cuisson terminée, réglez les deux boutons sur OFF.



REMARQUES:

- En cas de panne de courant, le four s'éteint. Une fois le courant rétabli, le four reste éteint. Pour reprendre la cuisson, éteignez les deux boutons, puis réglez le mode et la température désirés.
- Voir «EN CAS DE PANNE DE COURANT» à la page 5 pour les instructions.



RÉGLAGE DU MODE SABBAT

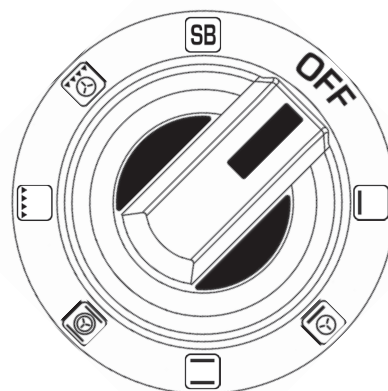
- Tournez le Sélecteur de Mode de Four sur SB (Sabbat).
- Réglez le bouton de Température du Four à la température de cuisson désirée. Dans cet exemple, il a été réglé à 325°F.

Le mode sabbat fait fonctionner le four en mode BAKE (cuire). Les lumières internes et les boutons du bouton du four ne fonctionnent pas en mode sabbat.



ANNULATION DU MODE SABBAT

Pour annuler le mode Sabbat, désactivez le bouton de sélection de mode.



REMARQUES:

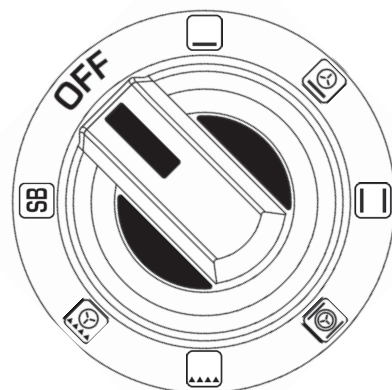
- En mode Sabbat, les changements apportés au bouton de température du four entraînent un délai programmé de 3 minutes alors que des calculs aléatoires complètent le changement et engagent les éléments chauffants du four.
- Le ou les brûleurs de la table de cuisson se rallumeront automatiquement si la flamme s'éteint d'une façon quelconque.
- Le ou les brûleurs de la table de cuisson n'ont pas d'extinction programmée et peuvent rester allumés indéfiniment ou pendant tout le Sabbat. Un réglage sur feux doux est recommandé.
- En cas de panne de courant pendant le mode sabbat, le four s'éteint. Une fois le courant rétabli, le four reste éteint.
- Voir «EN CAS DE PANNE DE COURANT» à la page 5 pour les instructions.



COMMANDES DU FOUR (SUITE)

MODE CUIRE (BAKE)

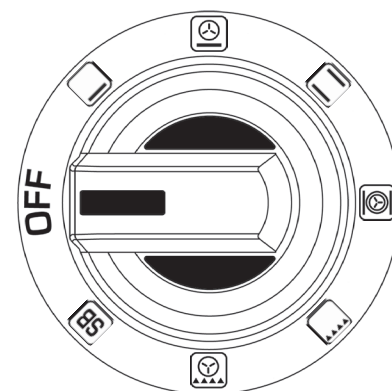
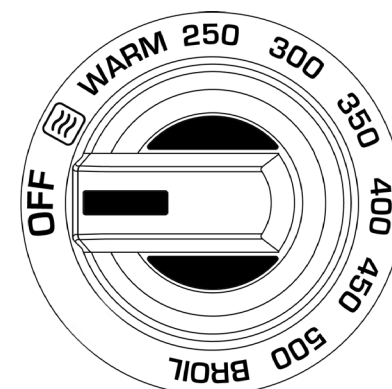
1. Tournez le Sélecteur de Mode de Four sur BAKE (Cuire).
2. Réglez le bouton de Température du Four à la température de cuisson désirée. Dans cet exemple, il a été réglé à 250°F.



FR

MODE CUIRE PAR CONVECTION (CONVECTION BAKE)

1. Tournez le Sélecteur de Mode de Four sur CONVECTION BAKE (Cuisson par Convection).
2. Réglez le bouton de Température du Four à la température de cuisson désirée. Dans cet exemple, il a été réglé à 250°F.

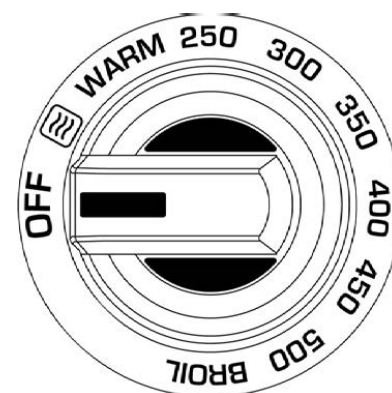


CONSEILS:

- Convient le mieux à la pâtisserie.
- L'utilisation de plats peu profonds facilite une circulation plus uniforme de l'air chauffé jusqu'aux aliments.
- Il est inutile de faire pivoter le plat dans ce mode.

REMARQUES:

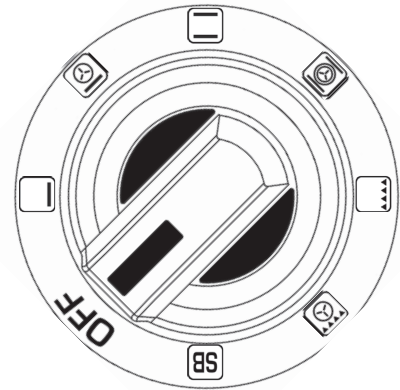
- a. En général, la cuisson par convection doit être effectuée à l'aide de moules ou de casseroles bas et peu profonds pour permettre à l'air chauffé de circuler autour des aliments.
- b. L'enlèvement des couvercles est également recommandé pour la même raison.



COMMANDES DU FOUR (SUITE)

MODE RÔTISSAGE (ROAST)

1. Tournez le Sélecteur de Mode de Four sur ROAST (Rôtissage).
2. Réglez le bouton de Température du Four à la température de cuisson désirée. Dans cet exemple, il a été réglé à 375°F.

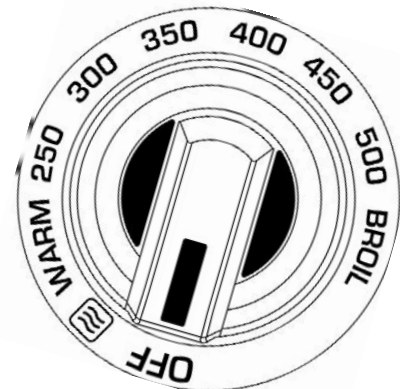
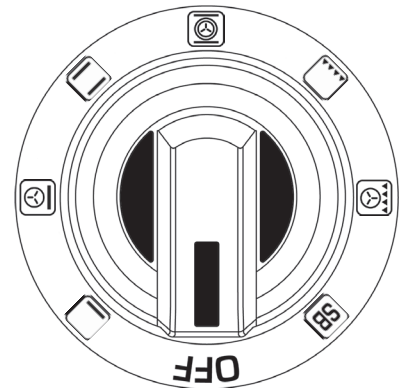
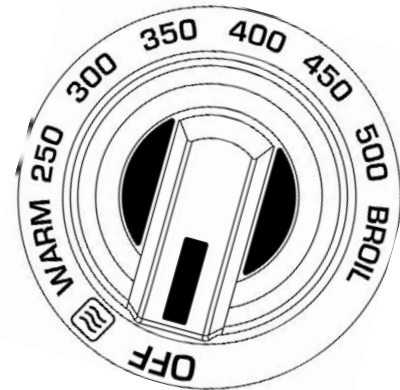


CONSEILS:

- Conçu pour les morceaux de viande les moins tendres.
- Il facilite le mouillage par l'ajout, par exemple, de bouillons et de liquides lors de la cuisson de viandes dans ce mode.

MODE RÔTISSAGE PAR CONVECTION (CONVECTION ROAST)

1. Tournez le Sélecteur de Mode de Four sur CONVECTION ROAST (Rôtissage par Convection).
2. Réglez le bouton de Température du Four à la température de cuisson désirée. Dans cet exemple, il a été réglé à 375°F.



CONSEILS:

- Convient le mieux au rôtissage.
- Permet d'obtenir une peau plus croustillante, tout en maintenant la volaille et les viandes juteuses à l'intérieur.
- Inutile de réduire la température de 25°F [14°C].
- Vérifier la température intérieure lors de la cuisson de volaille et de viandes.

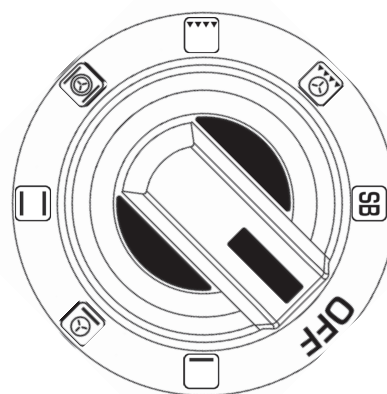
REMARQUES:

- a. En général, la cuisson par convection doit être effectuée à l'aide de moules ou de casseroles bas et peu profonds pour permettre à l'air chauffé de circuler autour des aliments.
- b. L'enlèvement des couvercles est également recommandé pour la même raison.

COMMANDES DU FOUR (SUITE)

MODE GRILLAGE (BROIL)

1. Tournez le Sélecteur de Mode de Four sur BROIL (Grillage).
2. Réglez le bouton de Température du Four à la position «BROIL».

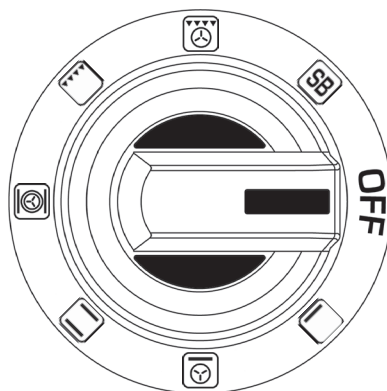


CONSEILS:

- Ce mode est excellent pour griller des steaks et des steaks hachés, ainsi que pour faire dorer le dessus des aliments.
- Laisser la porte fermée pendant toute la cuisson au grilloir.
- Veiller à ce que le plat soit placé au milieu de la grille, directement sous le grilloir.
- Les aliments ne doivent être retournés qu'une fois. Les aliments peu épais tels que le poisson n'ont pas besoin d'être retournés.
- Utiliser le plat à griller et le couvercle à fentes fournis quand on cuit au grilloir, en veillant à laisser les fentes du couvercle découvertes. Ne pas recouvrir de papier d'aluminium.
- Faire attention quand on ouvre la porte du four pendant la cuisson au grilloir car une chaleur intense s'est accumulée au bout d'un certain temps.

MODE GRILLAGE PAR CONVECTION (CONVECTION BROIL)

1. Tournez le Sélecteur de Mode de Four sur CONVECTION BROIL (Grillage par Convection).
2. Réglez le bouton de Température du Four à la position «BROIL».

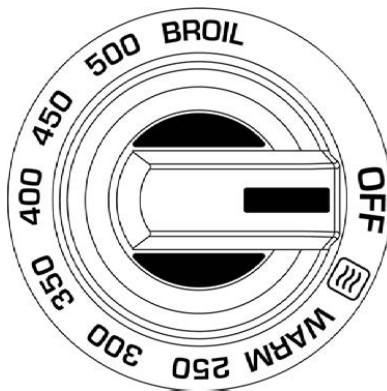


CONSEILS:

- Mêmes conseils que pour la MODE GRILLAGE.
- Se référer aux directives des recettes pour obtenir les meilleurs résultats.

REMARQUES:

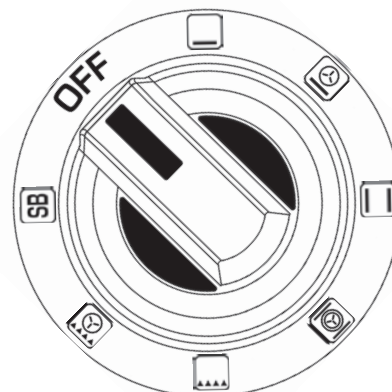
- a. En général, la cuisson par convection doit être effectuée à l'aide de moules ou de casseroles bas et peu profonds pour permettre à l'air chauffé de circuler autour des aliments.
- b. L'enlèvement des couvercles est également recommandé pour la même raison.



COMMANDES DU FOUR (SUITE)

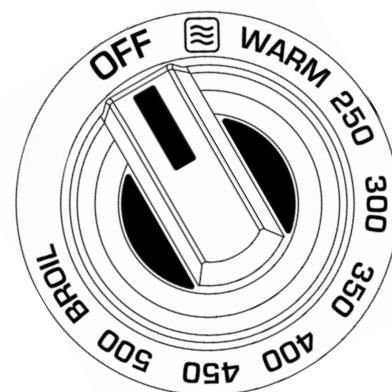
MODE LEVAGE PAR FERMENTATION (PROOF)

1. Tournez le Sélecteur de Mode de Four sur PROOF (Levage par Fermentation).
2. Tournez le bouton de Température du Four à la position PROOF (Levage par Fermentation).



REMARQUES:

- a. La Mode PROOF correspond à une température de four très basse autour de 100°F [38°C] pour aider les pains au levain et autres produits de boulangerie à lever.
- b. Il est préférable de commencer avec un four froid lorsque vous utilisez ce mode.



ÉLÉMENTS SUPPLÉMENTAIRES

VENTILATEURS DE REFROIDISSEMENT

La cuisinière comprend un ventilateur de refroidissement pour protéger les composants électroniques. Le ventilateur s'active lorsque le four atteint une température d'environ 300°F [149°C] et restera allumé tout au long du cycle de cuisson du four. Après la cuisson, même si vous avez peut-être éteint le four, le ventilateur reste en marche jusqu'à ce que le four refroidisse à une température proche de 250°F [121°C].

Si vous remarquez que le ventilateur ne s'active pas au cours d'un cycle quelconque du four (surtout au gril), n'utilisez pas le four. Appeler le service. Ne pas le faire pourrait endommager le four de façon permanente.

LÊCHEFRITE

La cuisinière est fournie avec une lèchefrite en porcelaine émaillée avec couvercle fendu. Celui-ci permet au jus de cuisson de s'écouler dans la base de la lèchefrite, loin de la chaleur intense du gril. Cela permettra de réduire la fumée et le risque de feu de graisse.

N'UTILISEZ PAS de papier d'aluminium ou de minces moules en aluminium jetables lors de la cuisson au gril. Ceux-ci peuvent fondre.

FR

NETTOYAGE ET ENTRETIEN

NETTOYAGE DU FOUR



RISQUE DE BRÛLURE - Toutes les parties de la cuisinière peuvent devenir très chaudes pendant le fonctionnement. La vitre de la porte du four et les zones entourant la porte deviennent très chaudes. Ne touchez pas l'appareil en cours de fonctionnement. Le non-respect de ces instructions peut entraîner des brûlures graves ou des blessures. Ne laissez pas les enfants utiliser cet appareil sans la surveillance d'un adulte. Ne laissez pas les enfants jouer dans ou autour de l'appareil, même lorsqu'il n'est pas en service.

INTÉRIEUR DU FOUR

Essayez d'essuyer le déversement avec de l'eau chaude savonneuse ou un nettoyant doux tel que Fantastik® ou SoftScrub®. Rincez et séchez soigneusement. Si vous choisissez d'utiliser un nettoyant commercial pour four, suivez les instructions sur l'étiquette du produit.

FOUR EXTÉRIEUR / VERRE

Ne laissez pas les taches de nourriture ou le sel rester en contact avec les surfaces en acier inoxydable trop longtemps. L'extérieur en acier inoxydable du four peut être nettoyé avec de l'eau chaude savonneuse ou un certain nombre de nettoyants commerciaux pour acier inoxydable. Assurez-vous que les nettoyants ne contiennent pas de chlore ou de composés chlorés car ils seraient corrosifs pour l'acier inoxydable. Rincez bien.

NETTOYANTS SUGGÉRÉS:

- Eau chaude et détergent doux
- Fantastik®

Ces nettoyants peuvent également être efficaces dans les zones présentant une décoloration thermique. **TOUJOURS** nettoyer l'acier inoxydable dans le sens du grain avec une légère pression.

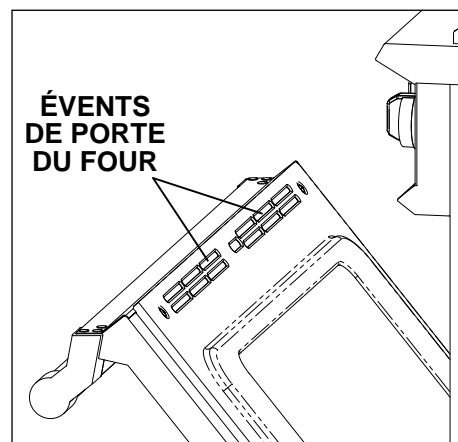
Si votre appareil Hestan a des panneaux de couleur, utilisez **UNIQUEMENT** de l'eau chaude savonneuse. Rincez et séchez soigneusement.

NETTOYAGE ET ENTRETIEN (SUITE)

Soyez prudent lorsque vous nettoyez près des événements de la porte du four en haut de la vitre du four. L'eau ou les nettoyants peuvent pénétrer à l'intérieur et laisser des taches ou des stries à l'intérieur du verre.

Ne frottez pas, ne bougez pas et n'endommagez pas le joint d'étanchéité tressé de la porte. Si le joint est endommagé, il devra être remplacé. Utilisez uniquement des pièces de rechange d'origine Hestan.

Attendez que l'appareil ait complètement refroidi avant d'utiliser des nettoyants de type aérosol. Beaucoup de ces nettoyants utilisent des gaz de propulsion inflammables qui pourraient s'enflammer en présence de chaleur.



GUIDES D'ÉCHELLE / GRILLES DU FOUR

Les grilles du four et les guides d'échelle gauche et droite peuvent être retirées du four pour le nettoyage. NE PAS nettoyer ces articles dans un four auto-nettoyant.

Les grilles peuvent être nettoyées avec de l'eau chaude savonneuse ou un certain nombre de nettoyants commerciaux en acier inoxydable. Assurez-vous que les nettoyants ne contiennent pas de chlore ou de composés chlorés car ils sont corrosifs pour l'acier inoxydable. Rincez bien. Si les grilles ne glissent pas facilement après le nettoyage, appliquez une petite quantité d'huile alimentaire ou de cuisson sur les glissières.

NETTOYANTS SUGGÉRÉS:

Eau chaude et détergent doux

Vinaigre et eau

Fantastik®

Bon-Ami®

Kleen King®

SoftScrub®

BRÛLEURS SCÉLLÉS



RISQUE DE BRÛLURE - Pour éviter les brûlures, ne pas toucher les chapeaux des brûleurs ou les grilles de cuisson à chaud. Laisser refroidir complètement.

Les brûleurs peuvent être démontés pour le nettoyage. Utilisez seulement une petite brosse à dents pour nettoyer les orifices du brûleur et l'allumeur. N'insérez PAS d'objets pointus ou ne rayez pas les orifices du brûleur. Après le nettoyage, assurez-vous que les chapeaux de brûleurs scellés sont bien en place sur la base des brûleurs comme indiqué ci-dessous. Il y a des encoches sur la base du brûleur et une bague transversale pour faciliter l'alignement. Le chapeau du brûleur externe comporte une longue fente sur le dessus de la tête qui s'aligne avec l'allumeur à étincelles. L'assemblage de la chapeau du brûleur à flux simple est similaire.

NETTOYAGE ET ENTRETIEN (SUITE)

NETTOYANTS SUGGÉRÉS:

BRÛLEUR EN LAITON / LE CHAPEAUX

Eau chaude et détergent doux

Bon-Ami®

Kleen King®

ALLUMEUR CÉRAMIQUE

Eau chaude et détergent doux

Fantastik®

GRILLES DE CUISSON EN FONTE ÉMAILLÉE

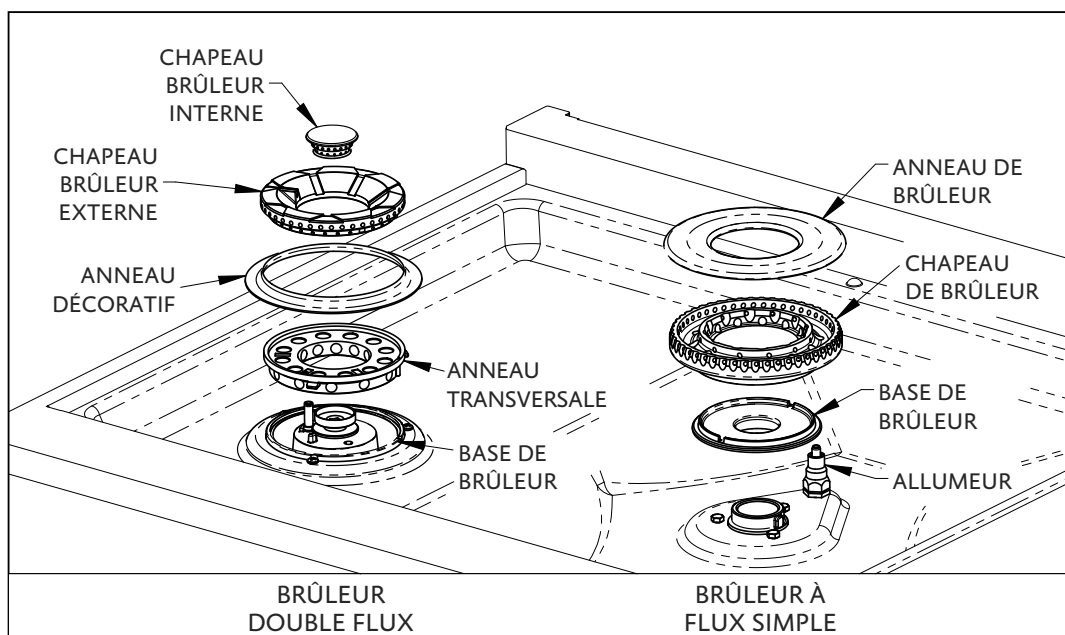
Eau chaude et détergent doux

Bon-Ami®

Kleen King®

SoftScrub®

Soyez prudent lorsque vous manipulez les grilles. Elles sont lourdes et peuvent se fêler si elles tombent sur le sol ou sur une surface dure. **NE PAS** nettoyer les grilles dans un four auto-nettoyant. Ne pas laisser les taches de nourriture ou les éclaboussures d'aliments acides sur les surfaces des grilles trop longtemps. Ces taches peuvent dégrader l'émail. Pour les taches tenaces, utilisez une légère pression avec un nettoyant abrasif. Rincer à fond et sécher immédiatement.



NETTOYAGE ET ENTRETIEN (SUITE)

PLAQUE CHAUFFANTE ET BAC À GRAISSE (le cas échéant)



RISQUE DE BRÛLURE - Pour éviter les brûlures, ne touchez pas la plaque chauffante ou le bac à graisse lorsqu'il est chaud. Laisser refroidir complètement.

NE JAMAIS inonder une plaque chauffante chaude d'eau froide. La vapeur peut causer de graves brûlures. Le brusque changement de température pourrait également déformer les surfaces métalliques, entraînant un gauchissement permanent de la plaque. NE PAS nettoyer la plaque chauffante dans un four auto-nettoyant.

La plaque chauffante peut être retirée pour être nettoyée à la main avec de l'eau chaude savonneuse. Pour les résidus plus difficiles, vous pouvez frotter la plaque avec du gros sel et rincer abondamment avec de l'eau propre. Le bac à graisse comporte un revêtement antiadhésif qui peut être nettoyé à la main à l'aide d'eau chaude savonneuse ou qui peut être nettoyé au lave-vaisselle. N'utilisez pas d'objets tranchants ou de grattoirs, car cela pourrait endommager les surfaces.

SURFACES EXTÉRIEURES

Ne laissez pas les taches alimentaires ou le sel rester en contact avec les surfaces en acier inoxydable trop longtemps. Toutes les surfaces extérieures en acier inoxydable peuvent être nettoyées avec de l'eau chaude savonneuse ou avec un certain nombre de nettoyeurs commerciaux pour acier inoxydable. Assurez-vous que les nettoyeurs ne contiennent pas de chlore ou de composés chlorés car ils sont corrosifs pour l'acier inoxydable. Rincez bien.

NETTOYANTS SUGGÉRÉS:

Eau chaude et détergent doux

Fantastik®

TOUJOURS nettoyer l'acier inoxydable dans le sens du grain avec une légère pression.

Si votre appareil Hestan a des panneaux de couleur, utilisez UNIQUEMENT de l'eau chaude savonneuse. Rincez et séchez soigneusement.

Attendez que l'appareil ait complètement refroidi avant d'utiliser des nettoyeurs de type aérosol. Beaucoup de ces nettoyeurs utilisent des gaz de propulsion inflammables qui pourraient s'enflammer en présence de chaleur.

REMPACEMENT DE L'AMPOULE DU FOUR

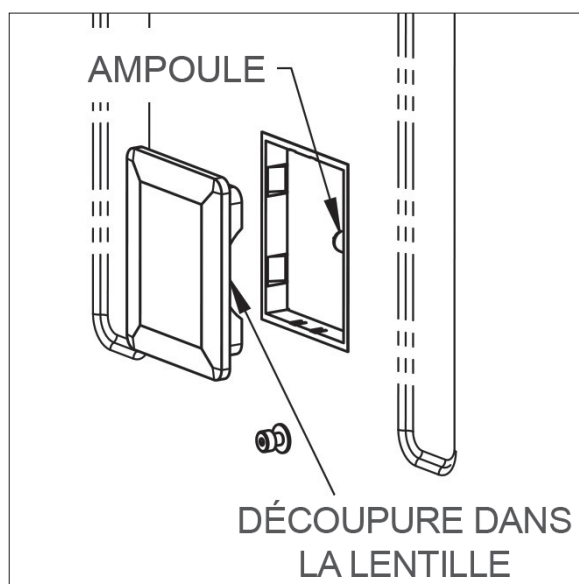


RISQUE DE CHOC ÉLECTRIQUE - Assurez-vous que l'alimentation a été coupée à la cuisinière. La douille de lampe est sous tension lorsque la porte est ouverte. Le fait de ne pas couper l'alimentation lors du remplacement d'une ampoule pourrait entraîner un choc électrique ou des brûlures.

Assurez-vous que la lentille en verre est frais au toucher. Soyez prudent lorsque vous manipulez le verre, il est fragile et peut se briser s'il tombe.

N'utilisez que des ampoules halogènes de type «bi-pin» de 20 watts, 12 volts, convenant à l'utilisation dans un four. Vous pouvez trouver ce type d'ampoule peut être disponible dans les quincailleries et les magasins de bricolage, ou dans les magasins d'éclairage spécialisés. Pour plus de détails, adressez-vous au service clientèle de Hestan.

1. ASSUREZ-VOUS QUE LE COURANT EST COUPÉ! Ouvrez le four et retirez les grilles du four et les guides d'échelle s'ils gênent.
2. Placez une serviette ou un chiffon épais sur le plancher du four en dessous de la lampe pour recueillir le verre s'il tombe.
3. Utilisez un petit tournevis à lame plate pour soulever délicatement la lentille en verre et mettre ce dernier de côté. Plongez la main dans le boîtier de la lampe et retirez l'ancienne ampoule comme indiqué sur l'image ci-dessous.
4. Avant l'installation, il est très important de nettoyer l'ampoule neuve avec un chiffon doux propre ou du papier de soie. La graisse, les empreintes digitales ou les sécrétions cutanées peuvent laisser un résidu sur la surface en verre de l'ampoule, ce qui créera un point chaud. L'ampoule finira par se fêler à ce point chaud.
5. Tout en continuant à utiliser un chiffon ou un mouchoir en papier, insérez la nouvelle ampoule dans le boîtier de la lampe. Poussez l'ampoule complètement dans la douille.
6. Remettez la lentille en verre en place en tenant compte de la découpe dans le verre qui s'aligne sur la douille de l'ampoule.
7. Rétablissez l'alimentation et vérifiez que l'ampoule neuve fonctionne. Réinstallez les grilles retirés précédemment.



GUIDE DE DÉPANNAGE

Symptôme	Cause Possible	Solution
L'appareil ne fonctionne pas (pas d'affichage, d'éclairage des boutons, d'éclairage intérieur, etc.)	Le cordon d'alimentation n'est pas branché, la prise n'est pas sous tension ou le disjoncteur s'est déclenché.	Vérifiez le disjoncteur. Appelez un réparateur pour d'autres problèmes.
Le brûleur ne s'allume pas.	L'alimentation en gaz n'est pas activée / le robinet d'arrêt est fermé. Le cordon d'alimentation n'est pas branché, la prise n'est pas sous tension ou le disjoncteur s'est déclenché. Les orifices du brûleur à proximité de l'allumeur ou l'allumeur lui-même sont obstrués ou encrassés. La chapeau du brûleur n'est pas bien en place sur la base. Valve de brûleur défectueuse ou obstruée. Orifice incorrect ou orifice bouché. Allumeur défectueux (pas d'étincelles). Pression insuffisante de l'alimentation en gaz à l'unité. Le detendeur est défectueux ou est mal installé.	Vérifiez le robinet d'arrêt. Vérifiez le disjoncteur. Appelez un réparateur pour d'autres problèmes. Nettoyez les orifices du brûleur / allumeur. Vérifiez la mise en place du chapeau du brûleur. Appelez un réparateur.
Le brûleur ne reste pas allumé.	Les orifices du brûleur sont obstrués ou encrassés. L'évent du detendeur est bouché ou celui-ci est mal installé. Basse pression de gaz.	Nettoyez les orifices du brûleur / allumeur. Appelez un réparateur.
Le brûleur ne fonctionne pas bien / flamme faible ou jaune.	Les orifices du brûleur sont obstrués ou encrassés. Mauvaise combustion, mélange air-combustible mal réglé. Pression de gaz incorrecte / detendeur incorrect.	Nettoyez les orifices du brûleur / allumeur. Appelez un réparateur.
Odeur de gaz.	Le brûleur s'est éteint ou ne s'est pas allumé. La chapeau du brûleur n'est pas bien en place sur la base. Les orifices du brûleur sont obstrués ou encrassés. Conduite de gaz desserrée ou rompue. Rupture du detendeur. Mauvaise combustion, mélange air-combustible mal réglé.	Rallumez le brûleur. Vérifiez la mise en place du chapeau du brûleur. Nettoyez les orifices du brûleur / allumeur. Fermez le robinet d'arrêt et appelez un réparateur.
La lumière du four ne fonctionne pas	Le cordon d'alimentation n'est pas branché, la prise n'est pas sous tension ou le disjoncteur s'est déclenché. L'ampoule est grillée.	Vérifiez le disjoncteur. Appelez un réparateur pour d'autres problèmes. Remplacer l'ampoule
Chaleur s'échappant du haut de la porte du four.	La porte du four ne ferme pas bien.	Vérifiez/nettoyez le joint de la porte du four. Remplacez-le s'il est usé.
Bruit du ventilateur / air chaud provenant de l'appareil, même éteint.	Le four refroidit.	Cela est normal. Si vous n'entendez PAS le ventilateur pendant ou après l'utilisation du four, appelez un réparateur.
Mode et / ou température du four rétro-éclairé ou clignotant.	a) Une panne d'alimentation s'est produite avec un ou plusieurs boutons de commande non éteints. b) Problème avec le contrôleur ou la détection de la température	Désactivez les deux commandes. Si le problème persiste, contactez le service d'assistance. Rangetop peut toujours être utilisé.

LISTE DES PIÈCES

Visiter le site Web Hestan pour consulter la liste des pièces de ce produit:
www.hestanhome.com.

SERVICE

Toutes les réparations dans le cadre ou en dehors de la garantie doivent être effectuées par du personnel d'entretien qualifié. Pour localiser un réparateur agréé dans la région, s'adresser au concessionnaire Hestan, au représentant local, ou Hestan. Avant d'appeler, veiller à avoir les numéros de modèle et de série à portée de la main.

Hestan Commercial Corporation
3375 E. La Palma Avenue
Anaheim, CA 92806
(888) 905-7463

FR

GARANTIE LIMITÉE

ÉLÉMENTS COUVERTS PAR LA PRÉSENTE GARANTIE LIMITÉE

Hestan Commercial Corporation (« HCC ») garantit à l'acheteur initial d'un appareil à gaz Hestan (le « Produit ») chez un revendeur agréé HCC que le Produit ne présente aucun vice de matière ni de fabrication pendant une période de deux (2) ans à compter de la date de l'achat initial au détail ou de la date de clôture en cas de construction neuve, suivant la période la plus longue (« Période de garantie limitée »). HCC accepte de réparer ou de remplacer, à sa seule discrétion, tout composant ou pièce du Produit dont la défaillance est due à des vices de matières ou de fabrication pendant la Période de garantie limitée. La présente Garantie limitée n'est pas transférable et n'est offerte à personne d'autre que l'acheteur initial au détail (« Acheteur »). La présente garantie limitée n'est valable que pour les Produits achetés chez et reçus d'un revendeur agréé HCC dans tous les Etats-Unis, dans le District de Columbia et au Canada. La présente Garantie limitée ne s'applique qu'aux Produits pour usage non commercial, à l'exclusion de ceux utilisés à des fins commerciales.

MARCHE À SUIVRE POUR UNE RÉPARATION AU TITRE DE LA GARANTIE

En cas de défaillance du Produit pendant la Période de garantie limitée pour des raisons couvertes par la présente Garantie limitée, l'Acheteur doit contacter immédiatement le revendeur auquel il a acheté le Produit ou HCC au 888.905.7463.

Il incombe à l'Acheteur de rendre le Produit raisonnablement accessible pour réparation ou de régler les frais de mise à disposition raisonnable du Produit pour réparation. La réparation sera effectuée pendant les heures d'ouverture normales du Centre de réparation agréé par Hestan. Dans la mesure où l'Acheteur demande une réparation en dehors des heures d'ouverture normales du Centre de réparation agréé par Hestan, l'Acheteur règlera la différence entre le tarif normal et celui des heures supplémentaires ou des primes. L'Acheteur doit régler tous les frais de déplacement si celui-ci dépasse 80 km [50 miles] (dans un sens) par rapport au Centre de réparation le plus proche agréé par Hestan.

GARANTIE LIMITÉE (SUITE)

ALLONGEMENTS AU-DELÀ DE LA PÉRIODE DE GARANTIE LIMITÉE DE DEUX ANS:

En plus de la garantie limitée de deux ans, les composants qui suivent bénéficient d'un prolongement de la garantie comme expressément énoncé ci-après :

1. Les brûleurs à gaz (hormis leur aspect extérieur), les éléments chauffants électriques, les moteurs de ventilateurs (hottes de ventilation), les tableaux de commande électronique, les magnétrons et les génératrices asynchrones (le cas échéant) du Produit sont garantis exempts de vices de matières et de fabrication dans des conditions normales d'utilisation non commerciale et de réparation pendant une période de cinq (5) ans au profit de l'Acheteur initial. Cela exclut la corrosion superficielle, les rayures et la décoloration susceptibles de se produire pendant une utilisation normale et se limite au remplacement de la ou des pièces défectueuses, tous les autres frais, y compris ceux de main d'œuvre, de transport et de manutention, le cas échéant, étant à la charge de l'Acheteur.

ÉLÉMENTS NON COUVERTS PAR LA PRÉSENTE GARANTIE LIMITÉE

La présente Garantie limitée ne couvre pas ce qui suit, excluant toute responsabilité financière de HCC: tous dommages ou vices affectant tout Produit non acheté chez un revendeur agréé HCC; variations de coloris dans la finition ou autres dommages esthétiques; panne ou dommages dus à une utilisation abusive ou erronée, un accident, un incendie, une catastrophe naturelle, un usage commercial du Produit, une interruption de l'alimentation électrique ou en gaz du Produit; dommages résultant d'une modification, d'une installation ou utilisation incorrecte du Produit; dommages résultant de la réparation ou du remplacement incorrect ou sans autorisation de tout composant ou pièce du Produit; dommages résultant d'un service après vente assuré par quiconque autre qu'un agent ou représentant agréé du réseau commercial de Hestan; usure normale et détérioration; dommages résultant de l'exposition du Produit à une atmosphère corrosive contenant du chlore, du fluor ou toute autre substance chimique nuisible; dommages résultant de l'absence d'un entretien normal du Produit; dommages dont HCC n'a pas été avisé ou qui se sont produits après expiration de la Période de garantie limitée; dommages accessoires et indirects causés par tout vice de matière ou de fabrication.

ARBITRAGE :

La présente Garantie limitée est régie par la Loi fédérale sur l'arbitrage. Tout litige opposant l'Acheteur à HCC et relatif au Produit ou à la présente Garantie limitée doit être résolu par voie d'arbitrage exécutoire exclusivement sur une base individuelle avec l'Acheteur. L'arbitrage sera effectué par l'Association Américaine d'Arbitrage (American Arbitration Association, « AAA ») conformément à ses règles d'arbitrage pour la protection du consommateur ou par JAMS. L'audience d'arbitrage se tiendra devant un arbitre nommé par l'AAA ou par JAMS. L'arbitre ne devra procéder à aucun arbitrage collectif et l'Acheteur devra renoncer à tout recours contre HCC en qualité de représentant de tiers.

LIMITATION DE RESPONSABILITÉ :

La présente Garantie limitée constitue l'accord définitif, intégral et exclusif entre HCC et l'Acheteur eu égard au Produit.

IL N'EXISTE AUCUNE GARANTIE EXPRESSE AUTRE QUE CELLES ÉNUMÉRÉES ET DÉCRITES PLUS HAUT. AUCUNE GARANTIE EXPRESSE OU IMPLICITE, Y COMPRIS SANS S'Y LIMITER, TOUTE GARANTIE IMPLICITE DE QUALITÉ MARCHANDE OU D'ADAPTATION À UN USAGE PARTICULIER NE S'APPLIQUERA APRÈS L'EXPIRATION DE LA PÉRIODE DE GARANTIE LIMITÉE INDIQUÉE PLUS HAUT. AUCUNE GARANTIE EXPRESSE APPLICABLE À CE PRODUIT OFFERTE PAR UNE PERSONNE OU ENTREPRISE QUELCONQUE N'ENGAGERA HCC. HCC NE GARANTIT EN AUCUNE FAÇON L'ADAPTATION DU PRODUIT À UN USAGE PARTICULIER, SAUF DISPOSITION CONTRAIRE DE LA LÉGISLATION APPLICABLE.

HCC N'ASSUME AUCUNE RESPONSABILITÉ POUR TOUT MANQUE À GAGNER, IMPOSSIBILITÉ DE RÉALISER DES ÉCONOMIES OU AUTRES AVANTAGES NI POUR TOUT AUTRE DOMMAGE PARTICULIER, DIRECT OU INDIRECT CAUSÉ PAR L'UTILISATION, L'USAGE ABUSIF OU L'INCAPACITÉ D'UTILISER CE PRODUIT, QUELLE QUE SOIT LA THÉORIE JURIDIQUE SUR LAQUELLE LA DEMANDE SE FONDE, MÊME SI HCC EST INFORMÉ DE LA POSSIBILITÉ DE TELS

GARANTIE LIMITÉE (SUITE)

DOMMAGES. AUCUN RECOUVREMENT À L'ENCONTRE DE HCC NE SERA SUPÉRIEUR AU PRIX D'ACHAT DU PRODUIT.

SANS LIMITER LA PORTÉE DE CE QUI PRÉCÈDE, VOUS ASSUMEZ TOUS LES RISQUES ET LA RESPONSABILITÉ DES PERTES, DOMMAGES OU BLESSURES ET DÉGÂTS MATÉRIELS SUBIS PAR VOUS-MÊMES ET DES TIERS RÉSULTANT DE L'UTILISATION, DE L'USAGE ABUSIF OU DE L'INCAPACITÉ D'UTILISER CE PRODUIT, QUI NE SONT PAS CAUSÉS DIRECTEMENT PAR LA NÉGLIGENCE DE HCC. LA PRÉSENTE GARANTIE LIMITÉE FORMULE VOTRE RECOURS EXCLUSIF.

Aucune déclaration ni aucun engagement verbal ou écrit de la part de qui que ce soit, y compris sans s'y limiter un employé, représentant ou agent de HCC, ne créera une garantie ni élargira en quoi que ce soit la portée de la présente Garantie limitée expresse d'un an. En cas de divergence entre la présente garantie limitée et tout autre accord ou déclaration lié ou relatif au Produit, ce sera cette Garantie qui s'applique. Si une disposition quelconque de la présente Garantie limitée est déclarée invalide ou inapplicable, elle sera réputée modifiée dans la limite nécessaire pour la rendre applicable et le reste de la Garantie limitée restera valide et applicable selon ses modalités.

INTERACTION ENTRE CERTAINES LOIS ET LA PRÉSENTE GARANTIE LIMITÉE :

Il se peut que certains États, Provinces et Territoires n'autorisent pas la limitation de durée d'une garantie implicite ni l'exclusion ou la restriction des dommages directs ou indirects. Les limitations ou exclusions qui précèdent peuvent par conséquent ne pas être applicables. Il se peut que certains États, Provinces ou Territoires prévoient d'autres droits et recours en matière de garantie. Les dispositions de la présente Garantie limitée n'ont pas pour but de limiter, modifier, restreindre, nier ni exclure les conditions obligatoires de garantie prévues par des États, Provinces ou Territoires, y compris certaines garanties implicites. La présente garantie confère des droits précis, auxquels peuvent s'en ajouter d'autres qui varient selon le lieu.

Toute question relative à la présente Garantie limitée peut être adressée à
Hestan Commercial Corporation au (888) 905-7463

FR

**RETAIN THIS MANUAL FOR FUTURE REFERENCE
CONSERVEZ CE MANUEL POUR UNE RÉFÉRENCE FUTURE**



Hestan Commercial Corporation

3375 E. La Palma Ave.

Anaheim, CA 92806

(888) 905-7463