

CONVECTION MICROWAVE



Model Shown KMWC24

STANDARD FEATURES

- Convenient quick-start controls for popular options, such as reheating, popping popcorn and defrost
- Convection technology allows for perfect roasting, baking and browning of foods
- Extra Minute allows for an extra minute of cooking time to be easily added
- 11 preset cooking options: Reheat, Popcorn, Extra Minute, Auto Broil, Auto Roast, Auto Bake, Slow Cook, Preheat, Convection, Broil, Low & High Mix
- Precise cook sensor technology automatically adjusts cooking time
- Child lock safety feature locks the control panel to prevent unintended use
- Glass Ceramic turntable allows for even cooking and reheating
- Interior light illuminates stainless steel interior of microwave
- Internal racks for multi-level heating

OPTIONS & ACCESSORIES

- Available in countertop unit or built-in using optional trim kit accessory AKMWCK27(27") AKMWCK30 (30")

DRAWER MICROWAVE



Model Shown KMWR30

STANDARD FEATURES

- Sleek, low-profile drawer design allows convenience at an accessible height and saves countertop space
- Convenient automatic drawer system opens smoothly and features a hands-free close, while the gliding action and solid construction prevents spillover during opening and closing
- 11 variable power levels and 12 sensor cook, reheat and popcorn settings provide endless cooking options
- Six defrost auto settings and two reheat auto settings provide convenience at the touch of a button
- Large capacity drawer can hold a 4 qt. casserole dish or a 20 oz. beverage
- Keep food warm up to 30 minutes with the warm feature
- Beverage option reheats coffee and tea to the perfect temperature
- Melt/Softens/Warm settings automatically select the correct time and power for each function
- Child lock safety feature locks control panel to prevent unintended use
- Interior light illuminates interior of microwave
- Install below an oven, or build into your island or cabinetry
- Non-shift rubber mat keeps items in place when opening and closing drawer

Convection Microwave with Built-In Kit



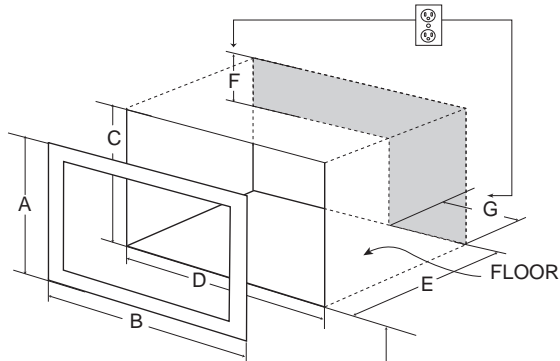
Drawer Microwave undercounter install



Drawer Microwave stack configuration



CONVECTION MICROWAVE INSTALLATION with BUILT-IN KIT AKMWCK27 or AKMWCK30



NOTE: Floor of opening should be 90° to front cabinet frame.

34-1/2" [87.6 cm] MIN.

Finished Floor

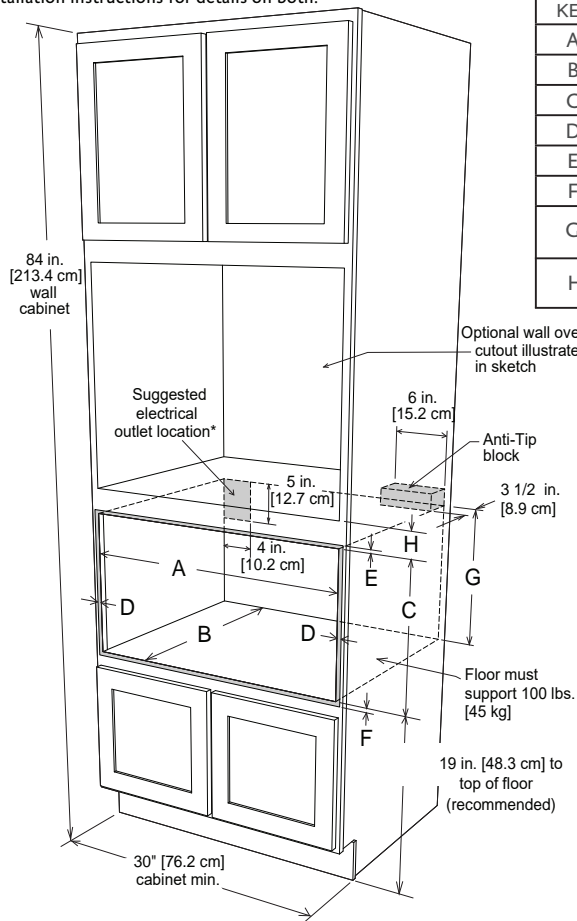
ITEM	DIMENSION
A	20" [50.8 cm]
B	29 7/8" [75.9 cm]
C	18 1/2" [47 cm]
D	25 1/4" [64.1 cm]
E	Min. 20 1/8" [51.1 cm]
F	5" [12.7 cm]
G	10" [25.4 cm]

ADDITIONAL NOTE:
When installing above a Hestan wall oven KSO30, a spacer kit (AKMWSK) may be installed in conjunction with the built-in kit. This kit is not required but allows both appliance faces to be on plane with each other.



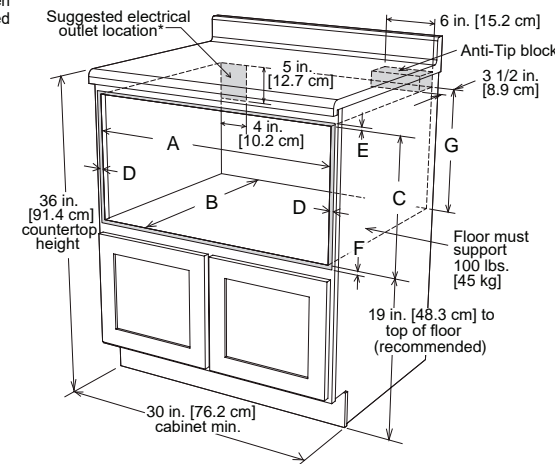
ELECTRICAL REQUIREMENTS :
120V, 60Hz, 15 amps

Note: Drawer Microwave can be installed two ways. Standard Installation or Flush Mount. Refer to installation instructions for details on both.



DRAWER MICROWAVE STANDARD INSTALLATION

KEY	DESCRIPTION	DIMENSION
A	Cutout width	28 7/16 in. [72.2 cm]
B	Cutout depth	23 1/2 in. [59.7 cm]
C	Height of opening	15 9/16 in. [39.5 cm]
D	Sides overlap	23/32 in. [1.8 cm]
E	Top edge overlap	3/16 in. [0.48 cm]
F	Bottom edge overlap	1/8 in. [0.32 cm]
G	Bottom of opening to bottom of anti-tip block	14 13/16 in. [37.6 cm]
H	Minimum distance between both openings	2 in. [5.1 cm]



ELECTRICAL REQUIREMENTS :
120V, 60Hz, 15 amps

Models	Description	Product Dims			Capacity	Wattage	Circuit Breaker Required	Approx WT (lbs)
		L (in.)	H (in.)	D (in.)				
KMWC24	24" Convection Microwave	24-5/8"	14-7/8"	19"	1.5 cu.ft.	900W	15Amp	60
KMWR30	30" Drawer Microwave	Appliance Face	30"	15-7/8"	1-5/16"	1.2 cu.ft.	15Amp	74
		Appliance Body	21-5/8"	14-19/32"	21-7/8"			

Hestan Indoor products are approved for indoor use only. Hestan Commercial Corporation reserves the right to change materials and specifications without notice. Please reference our Installation Instructions for more elaborate detail and as the main source in your dimensional planning.