



INDOOR / OUTDOOR UNDERCOUNTER REFRIGERATION

Refrigerators & Freezers

Installation Manual

 HESTAN



TABLE OF CONTENTS

- 2 SAFETY DEFINITIONS
- 3 MODEL NUMBERS
- 4 RATING LABEL
- 4 REGULATORY/CODE REQUIREMENTS
- 4 SAFETY
- 6 CABINET INSTALLATION
- 10 DOOR INFORMATION
- 12 DISPOSAL

EN

READ THESE INSTRUCTIONS CAREFULLY AND COMPLETELY BEFORE INSTALLING OR USING YOUR APPLIANCE TO REDUCE THE RISK OF FIRE, SHOCK HAZARD, OR OTHER INJURY. KEEP THIS MANUAL FOR FUTURE REFERENCE.

IMPORTANT! Read and understand all information in this manual before attempting the installation. All plumbing and electrical work must be performed by a qualified technician and conform to all applicable state and local codes.

INSTALLER: LEAVE THIS MANUAL WITH THE OWNER OF THE APPLIANCE.
HOMEOWNER: RETAIN THIS MANUAL FOR FUTURE REFERENCE.



SAFETY DEFINITIONS

▲ DANGER

THIS INDICATES A HAZARD THAT WILL RESULT IN SERIOUS INJURY OR DEATH IF PRECAUTIONS ARE NOT FOLLOWED.

▲ WARNING

THIS INDICATES A HAZARD THAT MAY RESULT IN SERIOUS INJURY OR DEATH IF PRECAUTIONS ARE NOT FOLLOWED.

▲ CAUTION

THIS INDICATES A HAZARD WHERE MINOR INJURY OR PRODUCT OR PROPERTY DAMAGE MAY OCCUR IF PRECAUTIONS ARE NOT FOLLOWED.

NOTICE

THIS INDICATES THAT PRODUCT OR PROPERTY DAMAGE MAY OCCUR IF PRECAUTIONS ARE NOT FOLLOWED.

▲ DANGER

RISK OF FIRE OR EXPLOSION - FLAMMABLE REFRIGERANT USED. Consult repair manual/owners guide before attempting to service this product. All safety precautions must be followed. To be repaired by trained service personnel only. Use caution when handling, moving and using the product to avoid damaging the refrigerant tubing or increasing the risk of a leak.

▲ WARNING

All service work shall be performed by factory authorized service personnel and all component parts shall be replaced with like components to minimize the risk of possible ignition due to incorrect parts or improper service.

▲ CAUTION

If service is necessary, repair work must be performed by a Hestan authorized servicer. Work done by unqualified individuals could potentially be dangerous and will void the warranty.

SAFETY DEFINITIONS *(continued)*



NOTICE This product contains blown foam insulation using blowing agent R-611 (Methyl Formate). The foam in this product does not contain HFC's, CFC's, or HCFC's.

All models covered in this manual are manufactured using refrigerant R600a (Isobutane). R600a is a hydrocarbon. This refrigerant is flammable and is only allowed for use in appliances which fulfill the requirements of UL/IEC 60335-1 and UL/IEC 60335-2-24 (To cover potential risk originated from the use of flammable refrigerants). Consequently, R600a is only allowed to be used in refrigerating appliances which are designed for this refrigerant and fulfill the above-mentioned standard.

- R600a is heavier than air. The concentration will always be highest at the floor level.
- The explosion limits are as follows:
 - Lower Limit: 1.8% by volume
 - Upper Limit: 8.4% by volume
 - Ignition Temperature: 860°F [460°C]

EN

MODEL NUMBERS



Model No.	Description
GRS_24	INDOOR / OUTDOOR REFRIGERATOR, SOLID DOOR, 24"
GRS_24-XX	INDOOR / OUTDOOR REFRIGERATOR, SOLID DOOR, COLOR, 24"
GRG_24	INDOOR / OUTDOOR REFRIGERATOR, GLASS DOOR, 24"
GRG_24-XX	INDOOR / OUTDOOR REFRIGERATOR, GLASS DOOR, COLOR, 24"
GRR24	INDOOR / OUTDOOR REFRIGERATOR DRAWERS, 24"
GRR24-XX	INDOOR / OUTDOOR REFRIGERATOR DRAWERS, COLOR, 24"
GRFR24	INDOOR / OUTDOOR REFRIGERATOR DRAWER AND FREEZER DRAWER, 24"
GRFR24-XX	INDOOR / OUTDOOR REFRIGERATOR DRAWER AND FREEZER DRAWER, COLOR, 24"
GRWS_24	INDOOR / OUTDOOR DUAL ZONE REFRIGERATOR WITH WINE, SOLID DOOR, 24"
GRWS_24-XX	INDOOR / OUTDOOR DUAL ZONE REFRIGERATOR WITH WINE, SOLID DOOR, COLOR, 24"
GRWG_24	INDOOR / OUTDOOR DUAL ZONE REFRIGERATOR WITH WINE, GLASS DOOR, 24"
GRWG_24-XX	INDOOR / OUTDOOR DUAL ZONE REFRIGERATOR WITH WINE, GLASS DOOR, COLOR, 24"

_ = Right (R) or Left (L) Hinged Model



GRSR24 shown



GRWGR24 shown



GRR24 shown



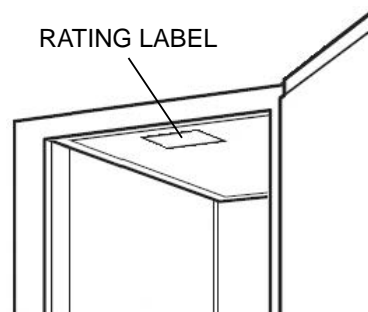
ecofriendly
R600a Refrigerant



RATING LABEL

The rating label contains important information about your Hestan appliance such as the model and serial number, and refrigerant information if service is required.

EN



The rating label is attached to the inside top of the cabinet.



REGULATORY / CODE REQUIREMENTS

Installation of this appliance must be made in accordance with local codes. In the absence of local codes, this unit should be installed in accordance with the National Electrical Code and local codes.

This appliance must be electrically grounded in accordance with local codes or in the absence of local codes with the National Electrical Code *ANSI/NFPA 70*, or Canadian Electrical code *CSA C22.1*.



SAFETY

CHILD SAFETY

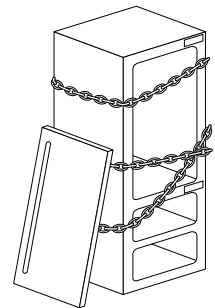
⚠ DANGER Risk of child entrapment. Before you throw away your old refrigerator or freezer:

- Take off the doors.
- Leave the shelves in place so that children may not easily climb inside.

NEVER allow children to play inside the appliance.

PRIOR TO INSTALLATION

Carefully inspect cabinet for hidden damage. If damage is discovered, file your claim immediately with the transport company. Hestan is not responsible for damage in transit. Remove any packaging materials before operating.



⚠ DANGER RISK OF FIRE OR EXPLOSION - FLAMMABLE REFRIGERANT USED. Use caution when handling, moving and using the product to avoid damaging the refrigerant tubing or increasing the risk of a leak.

⚠ CAUTION When moving the unit, be sure to protect finished flooring with appropriate material to avoid damage from moving the unit. Do not lift unit by drawer, shelving or door handles, as damage to the unit could occur if not moved as instructed.

⚠ WARNING To prevent personal injury, a minimum of two people are required to lift the unit. Larger units may require additional personnel.

Before moving the unit, secure the door shut with tape to prevent door from swinging open while being moved. Carefully move unit to installation site and place in front of opening.

⚠ CAUTION If unit has been laid on its back or sides, place unit upright and allow a minimum of 24 hours before connecting power.

SAFETY (continued)



EN

PLUMBING

No plumbing connections are required. Condensate from the cooling coil is automatically evaporated through a condensate pan located in the condensing section of the unit.

⚠ DANGER

ELECTRICAL SHOCK HAZARD

Disconnect power before installing or servicing appliance. Failure to do so can result in death or electrical shock.

⚠ WARNING

ELECTRICAL GROUNDING

- This appliance must be grounded. Grounding reduces the risk of electric shock in the event of a short circuit.
- DO NOT ground to a gas pipe.
- DO NOT use an extension cord with this appliance.
- DO NOT have a fuse in the NEUTRAL or GROUNDING circuit. A fuse in the NEUTRAL or GROUNDING circuit could result in an electrical shock.



ELECTRICAL SUPPLY

A 115 volt AC, 60 Hz, 15 Amp circuit breaker and electrical supply is required. A Ground Fault Circuit Interrupter (GFCI) protected circuit must be used when installed outdoors.

This appliance is NOT designed for installation in manufactured (mobile) homes or recreational park trailers.

All units are provided with a 5 ft [1.5 m] cord with three-prong grounding plug. It is imperative that this plug be connected to a properly grounded three-prong receptacle. If the receptacle is not the proper grounding type, contact an electrician. The receptacle must be flush or recessed into the wall surface behind the unit.

- Never remove the grounding prong from this plug.
- Never use a 2-prong adapter.
- If a 2-prong receptacle is encountered, or a longer power cord is required, contract a qualified electrician to have it replaced in accordance with applicable electrical codes.

⚠ WARNING Inspect the electrical cord and plug for damage prior to energizing the unit to avoid potential electric shock.

NOTICE The unit must NOT be totally enclosed or damage may occur. Air circulation must not be restricted. The condenser at the cabinet front must be provided with a minimum of 2" [5 cm] air space. Be sure to provide access so the front cover can be removed to clean the condenser.

⚠ CAUTION Do not attempt to operate the equipment on any power source / voltage other than that listed on the Electrical Specification Plate attached to the unit.

⚠ DANGER Do not store flammable liquids (i.e. Gasoline or Lighter Fluid) or vapors near the appliance to avoid a fire.

ADDITIONAL GENERAL INFORMATION

All electrical instructions assume the outlet is located 4 - 10" [10 - 25 cm] above the floor surface.

Floor must be level in the area of installation. Leg levelers are used for fine-tune adjustment only and should not be used to compensate for floor differences exceeding 1/2" [13 mm].



CABINET INSTALLATION

⚠ DANGER RISK OF FIRE OR EXPLOSION - FLAMMABLE REFRIGERANT USED. Use caution when handling, moving and using the product to avoid damaging the refrigerant tubing or increasing the risk of a leak.

CASTER KIT (OPTIONAL)

A Caster Kit (AGCK24) is available for Hestan undercounter refrigeration models. Refer to the instructions supplied with the caster kit for proper installation.

Note: Installation of the kit adds 3.75" [9.5 cm] to overall height of the unit.

ANTI-TIP BRACKETS

Unit may tip forward if loaded racks/shelves are all pulled out at the same time. To prevent tipping, and to provide stable installation, the unit must be secured in place with the anti-tip brackets supplied with the unit. The anti-tip brackets, when properly installed, should secure the rear legs/glides to the mounting surface and prevent the unit from tipping forward.

NOTICE Anti-tip brackets are only used for stationary cabinets and should not be installed on cabinets with accessory casters.

If installing on a concrete floor, concrete fasteners are required and not included with the anti-tip kit.

Some installation sites may require modifications to provide a secure surface for attaching the brackets.

A set of anti-tip brackets is supplied with the unit. These brackets should be attached to the floor at the rear of the unit. Each bracket must be located to engage the rear legs when the cabinet is pushed back into position. Refer to Figure 1 (shown below) for anti-tip bracket mounting locations.

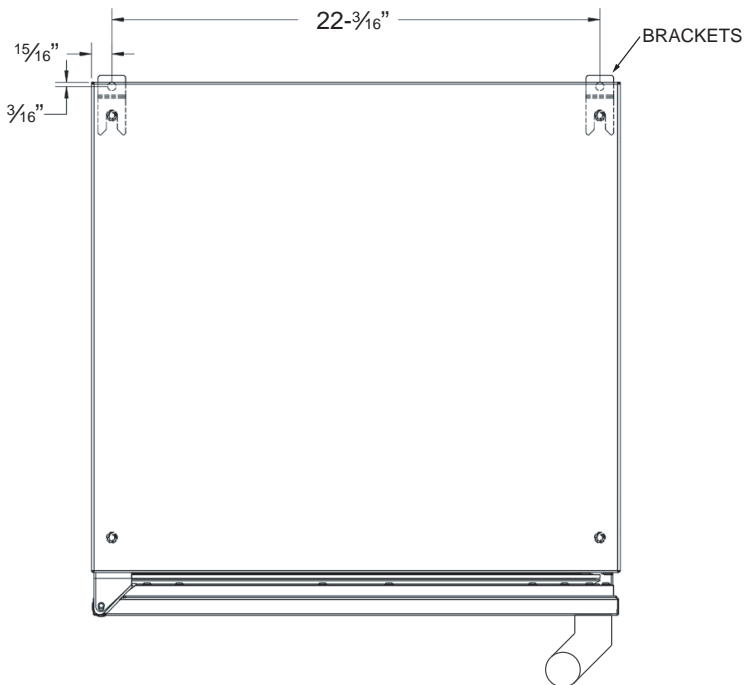


Figure 1. 24" Anti-Tip Kit

PREPARING THE SPACE

⚠ CAUTION

If the unit is to be installed under a countertop, it is recommended that the countertop be supported by a structure other than the unit itself to prevent damage to the unit.

Make sure the floor under the unit is level with the surrounding finished floor. Protect a finished floor with plywood, cardboard, or some other suitable material before moving the unit into place. Failure to do this may result in damage to the floor.

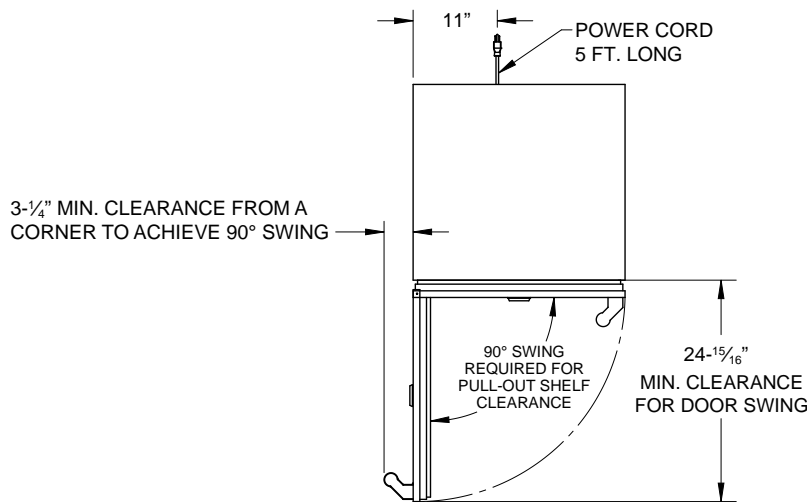
CABINET INSTALLATION *(continued)*



To assure maximum performance, fresh air must be allowed to circulate through the machinery compartment. Do not place anything in front of the unit that would obstruct air flow at these front grilles. Do not place the unit in an unventilated small room.

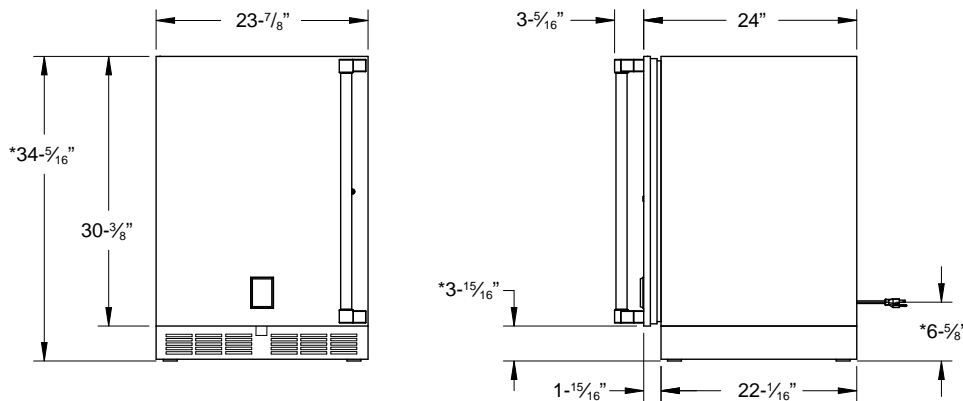
NOTICE Cabinet should be leveled front to back, then side to side.

1. Make sure the space opening is correctly sized for the unit. See typical appliance dimensions below, and the chart below for finished rough opening requirements:



TYPICAL APPLIANCE DIMENSIONS

**CUTOUT DIMENSIONS:
34-3/8" H - 24" W - 24" D**



* - Leg levelers can add 3/4" to these dimensions when fully extended.

HEIGHT	WIDTH	DEPTH
34-3/8" [87.3 cm] min.	24" [61 cm]	24" [61 cm]
35-1/2" [90.2 cm] max.		

2. Check that the following are level and square:

- Front and interior opening
- Installation opening and floor surface
- Countertop bottom front edge

NOTE: For a door to open properly, the door must open a minimum of 90°. Use a minimum 3" [7.6 cm] filler in corner installations to assure a full 90° opening. Allow 25" [64 cm] clearance in front of unit for full door swing and shelf/drawer pull out.

NOTE: The floor under the unit must be at the same level as the surrounding finished floor.



CABINET INSTALLATION *(continued)*

CAUTION To prevent possible damage to the countertop, do not place heavy objects on countertop directly over unit.

INSTALLING THE UNIT INTO THE SPACE

1. Plug the unit into the 15 amp grounded electrical outlet located within the installation opening. With power applied to the unit, check that the lighting and cooling functions operate properly. Turn off the power to the wall outlet at the circuit breaker.
2. With all surfaces in the installation opening square and level, refer to Figure 2 below and perform the following steps to level the unit:
 - At the front of the opening, measure from the floor to the bottom of the front edge of the countertop.
 - Measure from the floor surface to the top of the unit at the rear corners.
 - Adjust the unit legs so these two measurements are equal. Using an adjustable wrench or pliers, turn legs clockwise to lower the unit or counterclockwise to raise it.

NOTE: Legs should not extend more than 3/4" [19 mm] from the bottom of the unit.

3. Slide the unit into position in the opening. Make sure the rear leveling legs slide under the anti-tip brackets. Push the unit into the opening until the bottom front edge of the unit is flush with the surrounding cabinetry, or until the rear legs are tight against the anti-tip brackets.
4. Shim the front of the unit so the front face is flush with the surrounding cabinetry. Adjust the front legs to support the countertop at the shimmed height. Using an adjustable wrench or pliers, turn the legs clockwise to lower the unit or counterclockwise to raise it. Countertop should be resting on top of the unit.

NOTE: Countertop should be resting evenly on entire top of the unit. Shim if necessary to prevent damage to the countertop.

5. Check interior door openings to make sure the unit is level and square. Install shelving and/or drawers. For drawer units, place the slide brackets squarely into the bracket grooves. When installed properly, a "click" should be heard from the slide bracket retaining tabs and the brackets should slide smoothly. The retaining tabs will stop the shelf/drawer when pulled out to full extension.
6. Turn on the power to the wall outlet at the circuit breaker.

NOTE: Improper shelf/drawer installation may not actuate slide mechanism.

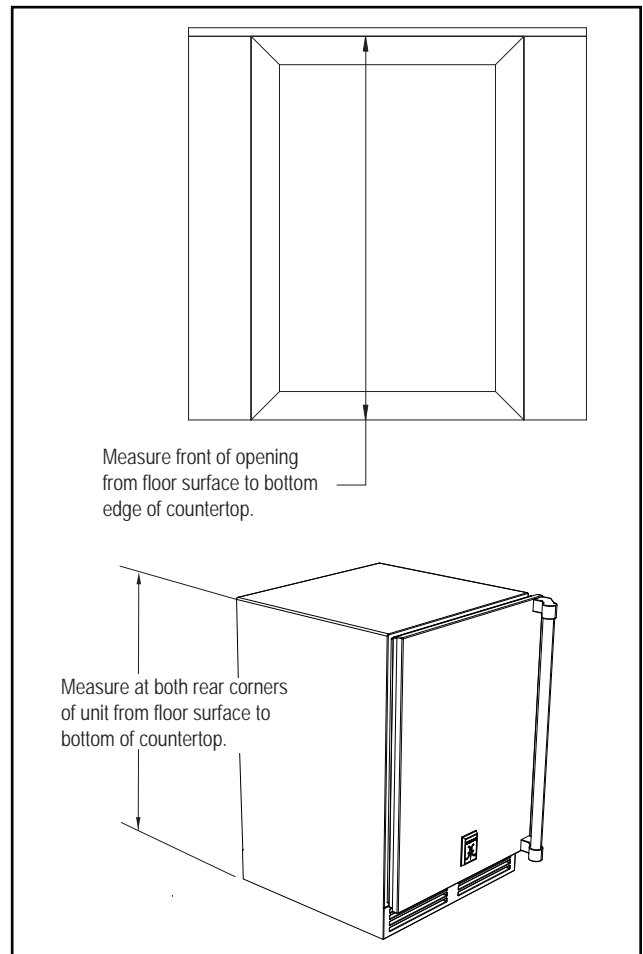


Figure 2. Leveling the Unit



INSTALLING THE FRONT GRILLE COVER

Once the unit is secured in place, install the louvered front grille cover. Secure the cover by snapping the latch into the latch catch on the unit (Figure 3).

The vent grille must be removed to service the unit. The floor cannot interfere with removal, and the louvered sections must not be covered or obstructed. Obstructions could prevent proper air circulation, which may damage the unit.

NOTE: To achieve maximum performance, interior louver openings and fan guard openings should never be obstructed.

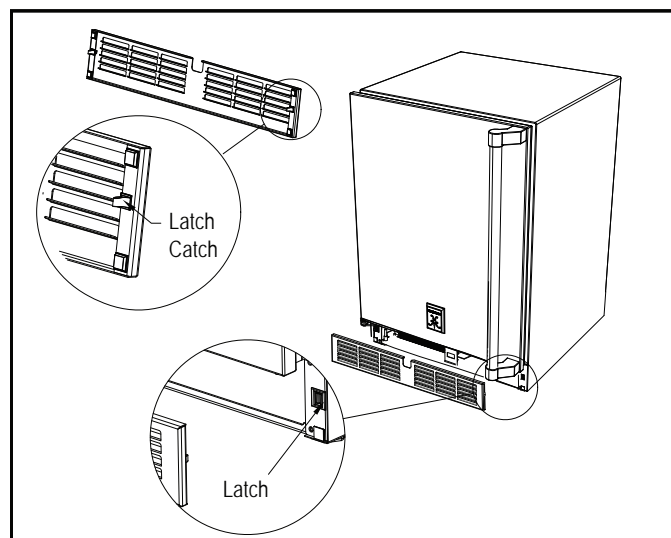


Figure 3. Front Grille Cover Installation

SHELVING / DRAWER ADJUSTMENTS

CAUTION

Completely empty shelf or drawer before removing.

1. Pull the shelf/drawer out to its furthest position. Locate the tabs in the middle of both extenders. Lift one tab up while pushing the opposite tab down, and pull shelf/drawer out (Figure 4).
2. Position each bracket separately. Grasp the middle of the bracket, pull the front end up and out, then forward to remove it.
3. Place bracket at desired location. Push the bracket rear hook into the rear mounting slot, then set front of the bracket in the front slot.
4. Repeat for other brackets.
5. Push extenders completely into brackets. Align the shelf/drawer grooves with the extenders and slide completely into the unit.

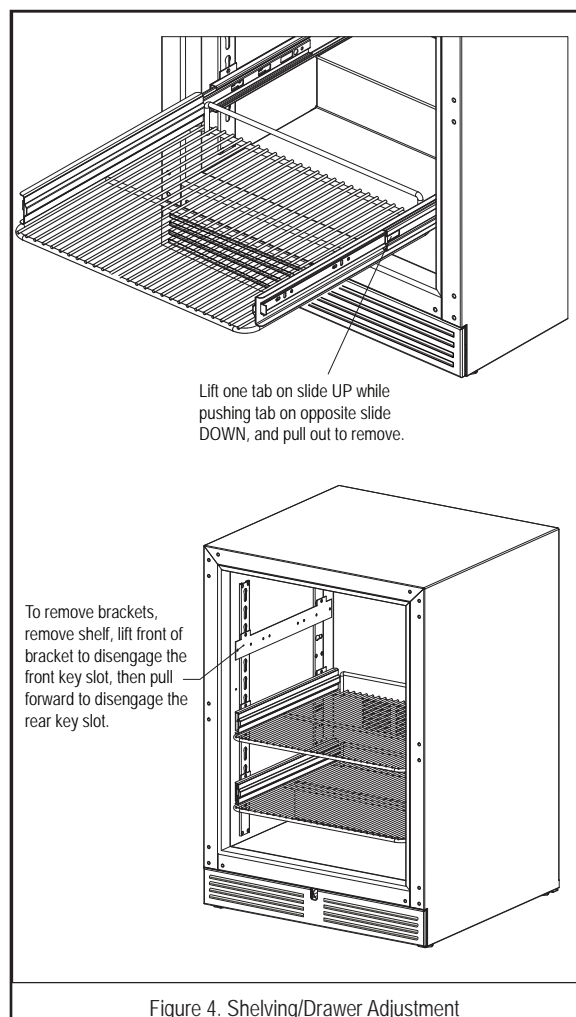


Figure 4. Shelving/Drawer Adjustment



DOOR INFORMATION

DOOR OPTIONS

Hestan residential units can be converted from stainless steel to overlay panels to match existing cabinetry. Solid stainless steel and stainless steel glass doors are shipped from the factory with decorative stainless steel panels and handles in place on the unit. All stainless steel doors and drawers are convertible to fully integrated models, ready to accept custom panels from your cabinetry supplier. You can contact Hestan Customer Care to send you any of the following templates, or download directly from the Hestan website at www.hestanoutdoor.com.

- 028370 - Template, Overlay, 24" Solid Door, Undercounter Refrigeration
- 028371 - Template, Overlay, 24" Toe Kick/Grille, Undercounter Refrigeration
- 028372 - Template, Overlay, 24" Glass Door, Undercounter Refrigeration
- 028373 - Template, Overlay, 24" Solid Drawer, Undercounter Refrigeration
- 028374 - Installation Instructions, Overlay Door/Drawer, Undercounter Refrigeration

Take care in choosing the correct template for your specific unit. The original appliance handle or custom cabinet handle can be installed onto your overlay panel.

NOTE: Glass with stainless steel trim and glass with wood trim may sweat in conditions with relative humidity over 75%.

HANDLE INSTALLATION

CAUTION

The handle mounting on the overlay panel should be mounted on the overlay only (not the actual door) to avoid damage to the factory door. Proper woodworking materials and equipment should be used to avoid damage or errors in workmanship.

1. Handle must be attached to the overlay before mounting the overlay onto the door. Mark the rear of the overlay panel with handle fastening locations.
2. Drill through the overlay panel at marked locations, taking care not to damage the panel.
3. Countersink screw heads so that screw heads are flush with the back side of the panel. Attach the handle to the overlay panel.

DOOR LOCK INSTALLATION

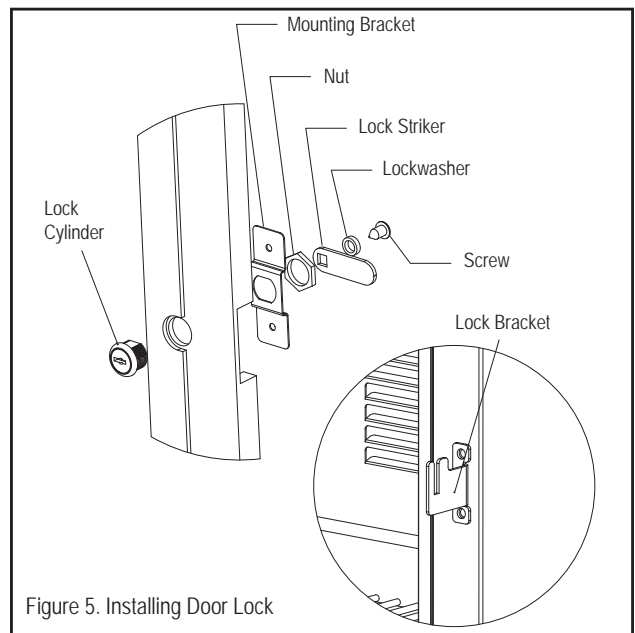
CAUTION

Proper woodworking materials and equipment should be used to avoid damage or errors in workmanship.

NOTE: Lock installation information is available on the above-mentioned template drawings. Take care in choosing the correct template for your specific model.

When installing to an overlay panel, perform the lock installation before mounting the overlay to the door!

1. See Figure 5. Attach mounting bracket to overlay panel.
2. Insert lock body and attach with nut. Re-install remaining parts as shown.



DOOR INFORMATION *(continued)*



OVERLAY INSTALLATION

Before beginning installation, check all components for proper fit and finish.

NOTE: For more detailed installation information, please request or download document 028374 mentioned on the previous page.

CAUTION For best performance and functionality, the overlay panels should be $\frac{3}{4}$ " [19 mm] thick. The weight of the overlays should not exceed 20 lbs [9 kg] for solid doors, 10 lbs [4.5 kg] for glass doors, or 10 lbs [4.5 kg] for drawer models.

1. With the unit secured in position, open the door, CAREFULLY remove the door gasket (it can tear), and make sure panel pre-drilled holes align with door frame holes.
2. Loosely attach four corners of overlay panel to the door using #10 x $\frac{3}{4}$ " wood screws, installed through the door frame from the rear.
3. Check the overall fit of the overlay panel, position, and function. Make minor adjustments as necessary. When panel is properly aligned, tighten mounting screws securely. Install the rest of the mounting screws and tighten securely.
4. Re-install the gasket making sure the dart is securely pressed inside the slot on the door frame. Start at the four corners and firmly press your way inwards.
5. Verify that the gasket is fully seated onto the door frame when completed.

CAUTION Do not overtighten overlay panel attachment screws, as this may damage the factory supplied door frame.

WINE RACK TRIM (OPTIONAL)

All wine reserve racks come with sleek stainless steel fronts, which can be removed and replaced with other wood to match your cabinetry. See Figure 6 for wine rack face details.

NOTE: The unfinished faces should be finished and sealed. In many cases, stains and / or finishes have odors that may be objectionable in an enclosed area. Do not stain or finish wood faces while installed on unit. To remove the front wood face from the wine shelf, simply pull out the wine shelf and remove the fasteners, finish as desired, and reinstall when completely dry.

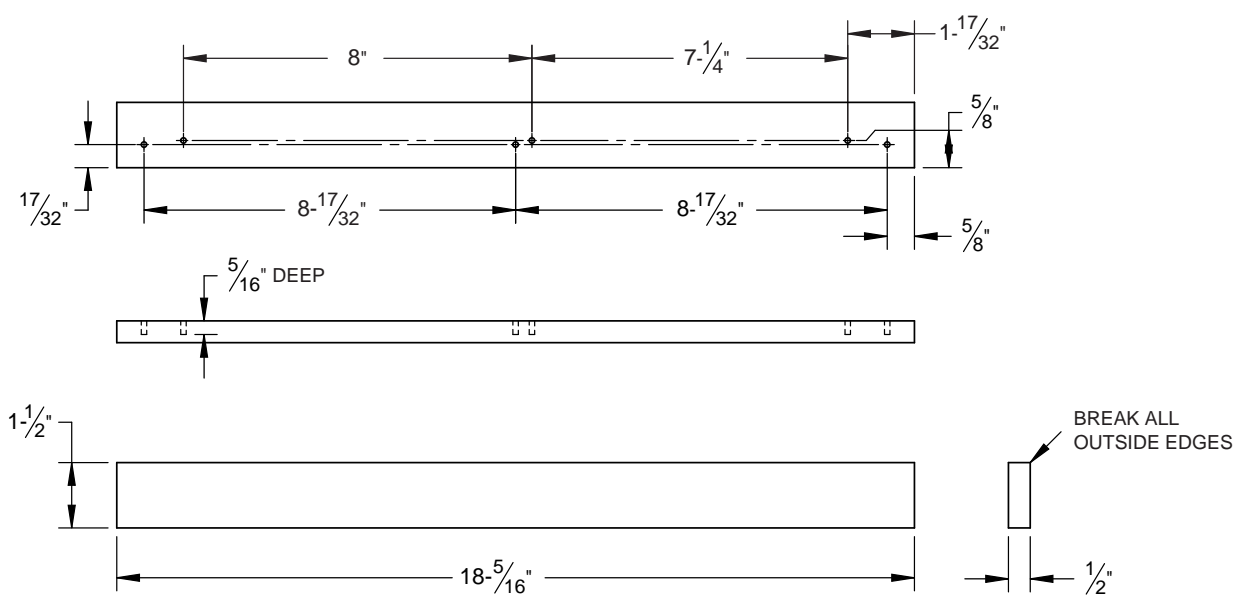


Figure 6. Wine Rack Trim

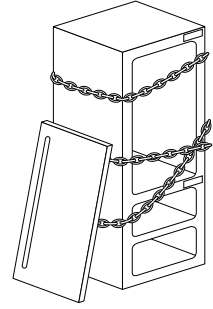


DISPOSAL

⚠ DANGER

Risk of child entrapment. Before you throw away your old refrigerator or freezer:

- Take off the door.
- Leave the shelves in place so that children may not easily climb inside.
- Do not allow children to play inside, on, or around the appliance.



⚠ WARNING

Risk of fire or explosion. Please dispose the appliance according to federal or local regulations for its flammable refrigerant and blowing gas.



NOTES

TABLES DES MATIERES



- 1 DÉFINITIONS DE SÉCURITÉ
- 2 NUMÉROS DE MODÈLE
- 3 PLAQUE SIGNALÉTIQUE
- 3 RESPECT DE LA RÉGLEMENTATION ET DES CODES EN VIGUEUR
- 3 SÉCURITÉ
- 5 INSTALLATION DE L'ARMOIRE
- 9 INFORMATION SUR LA PORTE
- 11 ÉLIMINATION

FR

LISEZ ATTENTIVEMENT ET COMPLÈTEMENT CES INSTRUCTIONS AVANT D'INSTALLER OU D'UTILISER VOTRE APPAREIL AFIN DE RÉDUIRE LES RISQUES D'INCENDIE, DE BRÛLURE OU D'AUTRES BLESSURES. CONSERVER CE MANUEL POUR RÉFÉRENCE FUTURE.

IMPORTANT! Lisez et comprenez toutes les informations contenues dans ce manuel avant de tenter l'installation. Tous les travaux de plomberie et d'électricité doivent être effectués par un technicien qualifié et conformes à tous les codes nationaux et locaux applicables.

INSTALLATEUR: LAISSER CE MANUEL AVEC LE PROPRIÉTAIRE DE L'APPAREIL.

PROPRIÉTAIRE: CONSERVEZ CE MANUEL POUR RÉFÉRENCE FUTURE.

DÉFINITIONS DE SÉCURITÉ



▲ DANGER

CELA INDIQUE UN DANGER QUI ENTRAÎNERA DES BLESSURES GRAVES OU LA MORT SI LES PRÉCAUTIONS NE SONT PAS SUIVIES.

▲ AVERTISSEMENT

CECI INDIQUE UN DANGER QUI POURRAIT ENTRAÎNER DES BLESSURES GRAVES OU LA MORT SI LES PRÉCAUTIONS NE SONT PAS SUIVIES.

▲ PRÉCAUTION

CECI INDIQUE UN DANGER LORSQUE DES BLESSURES OU DES DOMMAGES MATÉRIELS AU PRODUIT OU À LA PROPRIÉTÉ PEUVENT SURVENIR SI LES PRÉCAUTIONS NE SONT PAS SUIVIES.

AVIS

CECI INDIQUE QUE DES DOMMAGES MATÉRIELS AU PRODUIT OU À LA PROPRIÉTÉ PEUVENT SURVENIR SI LES PRÉCAUTIONS NE SONT PAS SUIVIES.

▲ DANGER RISQUE D'INCENDIE OU D'EXPLOSION - RÉFRIGÉRANT INFLAMMABLE UTILISÉ. Consultez le manuel de réparation / le guide du propriétaire avant d'essayer de réparer ce produit. Toutes les précautions de sécurité doivent être suivies. À réparer uniquement par un personnel qualifié. Soyez prudent lors de la manipulation, du déplacement et de l'utilisation du produit afin d'éviter d'endommager le tube de réfrigérant ou d'augmenter le risque de fuite.

▲ AVERTISSEMENT Tous les travaux d'entretien doivent être exécutés par le personnel de service autorisé par l'usine et tous les composants doivent être remplacés par des composants similaires afin de minimiser le risque d'inflammation possible en raison de pièces incorrectes ou d'un entretien inapproprié.

▲ PRÉCAUTION Si un entretien est nécessaire, les travaux de réparation doivent être effectués par un réparateur agréé Hestan. Le travail effectué par des personnes non qualifiées pourrait être potentiellement dangereux et annulera la garantie.



DÉFINITIONS DE SÉCURITÉ (SUITE)

AVIS Ce produit contient de la mousse isolante thermique utilisant l'agent gonflant R-611 (Formiate de Méthyle). La mousse de ce produit ne contient pas de HFC, CFC ou HCFC.

Tous les modèles couverts dans ce manuel sont fabriqués à l'aide du réfrigérant R600a (Isobutane). Le R600a est un hydrocarbure. Ce fluide frigorigène est inflammable et ne doit être utilisé que dans des appareils qui satisfont aux exigences des normes UL / CEI 60335-1 et UL / CEI 60335-2-24 (pour couvrir les risques potentiels découlant de l'utilisation de réfrigérants inflammables). Par conséquent, le R600a ne peut être utilisé que dans les appareils de réfrigération conçus pour ce réfrigérant et répondant à la norme susmentionnée.

- Le R600a est plus lourd que l'air. La concentration sera toujours la plus élevée au niveau du sol.
- Les limites d'explosion sont les suivantes:
 - o Limite inférieure: 1,8% en volume
 - o Limite supérieure: 8,4% en volume
 - o Température d'inflammation: 860°F [460°C]



NUMÉROS DE MODÈLE

No. de Modèle	Description
GRS_24	RÉFRIGÉRATEUR INTÉRIEUR / EXTÉRIEUR, PORTE SOLIDE, 24 po
GRS_24-XX	RÉFRIGÉRATEUR INTÉRIEUR / EXTÉRIEUR, PORTE SOLIDE, COULEUR, 24 po
GRG_24	RÉFRIGÉRATEUR INTÉRIEUR / EXTÉRIEUR, PORTE EN VERRE, 24 po
GRG_24-XX	RÉFRIGÉRATEUR INTÉRIEUR / EXTÉRIEUR, PORTE EN VERRE, COULEUR, 24 po
GRR24	TIROIRS POUR RÉFRIGÉRATEUR INTÉRIEUR / EXTÉRIEUR, 24 po
GRR24-XX	TIROIRS POUR RÉFRIGÉRATEUR INTÉRIEUR / EXTÉRIEUR, COULEUR, 24 po
GRFR24	TIROIR RÉFRIGÉRATEUR INTÉRIEUR / EXTÉRIEUR ET TIROIR CONGÉLATEUR, 24 po
GRFR24-XX	TIROIR RÉFRIGÉRATEUR INTÉRIEUR / EXTÉRIEUR ET TIROIR CONGÉLATEUR, COULEUR, 24 po
GRWS_24	RÉFRIGÉRATEUR INTÉRIEUR / EXTÉRIEUR À DOUBLE ZONE AVEC VIN, PORTE SOLIDE, 24 po
GRWS_24-XX	RÉFRIGÉRATEUR INTÉRIEUR / EXTÉRIEUR À DOUBLE ZONE AVEC VIN, PORTE SOLIDE, COULEUR, 24 po
GRWG_24	RÉFRIGÉRATEUR INTÉRIEUR / EXTÉRIEUR À DOUBLE ZONE AVEC VIN, PORTE EN VERRE, 24 po
GRWG_24-XX	RÉFRIGÉRATEUR INTÉRIEUR / EXTÉRIEUR À DOUBLE ZONE AVEC VIN, PORTE EN VERRE, COULEUR, 24 po

_ = Modèle à charnière droite (R) ou gauche (L)



GRSR24 illustré



GRWGR24 illustré



GRR24 illustré

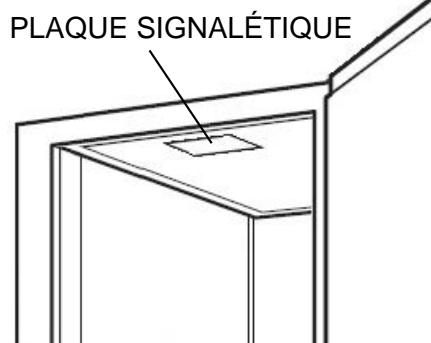


eco friendly
R600a Refrigerant

PLAQUE SIGNALÉTIQUE

La plaque signalétique contient des informations importantes sur votre appareil Hestan, telles que le modèle et le numéro de série, ainsi que des informations sur le réfrigérant si un entretien est nécessaire.

La plaque signalétique est fixée sur le dessus intérieur de la caisse.



RESPECT DE LA RÉGLEMENTATION ET DES CODES EN VIGUEUR

L'installation de cet appareil doit être effectuée conformément aux codes locaux. En l'absence de tels codes, installer cet appareil conformément au National Electrical Code et les codes locaux.

Tous les composants électriques doivent être mis à la terre conformément aux codes locaux ou, en l'absence de tels codes, au National Electrical Code ANSI/NFPA 70 ou au Code national de l'électricité du Canada CSA C22.1.

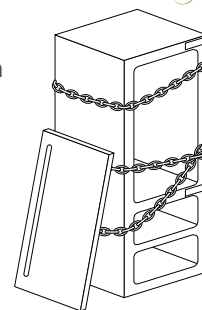
SÉCURITÉ

SÉCURITÉ IMPORTANTE DES ENFANTS

⚠ DANGER Risque de coincement de l'enfant. Avant de jeter votre ancien réfrigérateur ou congélateur :

- Enlevez les portes.
- Laissez les étagères en place afin que les enfants ne puissent pas facilement grimper à l'intérieur.

NE JAMAIS laisser des enfants jouer à l'intérieur de l'appareil.



AVANT L'INSTALLATION

Inspectez soigneusement le produit pour détecter tout dommage caché. Si des dommages sont découverts, déposez votre réclamation immédiatement avec la société de transport. Hestan n'est pas responsable des dommages en transit. Retirez tous les matériaux d'emballage avant l'utilisation.

⚠ DANGER RISQUE D'INCENDIE OU D'EXPLOSION - RÉFRIGÉRANT INFLAMMABLE UTILISÉ. Soyez prudent lors de la manipulation, du déplacement et de l'utilisation du produit afin d'éviter d'endommager le tube de réfrigérant ou d'augmenter le risque de fuite.

⚠ PRÉCAUTION Lorsque vous déplacez l'unité, assurez-vous de protéger le revêtement de sol fini avec un matériau approprié pour éviter des dommages dus au déplacement de l'appareil. Ne soulevez pas l'unité par le tiroir, les étagères ou les poignées de porte, car cela pourrait endommager l'appareil déplacé selon les instructions.

⚠ AVERTISSEMENT Pour éviter les blessures, au moins deux personnes sont nécessaires pour soulever l'appareil. Des unités plus grandes peuvent nécessiter du personnel supplémentaire.

Avant de déplacer l'unité, fermez la porte avec du ruban adhésif pour empêcher la porte de s'ouvrir pendant qu'elle est déplacée. Déplacez soigneusement l'unité vers le site d'installation et placez-la devant l'ouverture.

⚠ PRÉCAUTION Si l'unité a été posée sur le dos ou sur les côtés, placez-la à la verticale et attendez au moins 24 heures avant de brancher l'alimentation.



SÉCURITÉ (suite)

PLOMBERIE

Aucun raccord de plomberie n'est requis. Les condensats du serpentin de refroidissement s'évaporent automatiquement à travers un bac à condensats situé dans la section de condensation de l'unité.

⚠ DANGER

RISQUE DE CHOC ÉLECTRIQUE

Coupez l'alimentation avant d'installer ou d'entretenir l'appareil. Ne pas le faire peut entraîner la mort ou un choc électrique.

⚠ AVERTISSEMENT

ALIMENTATION ÉLECTRIQUE ET MISE A LA TERRE

- Cet appareil doit être mis à la terre. La mise à la terre réduit le risque de choc électrique en cas de court-circuit.
- NE PAS mettre à la terre un tuyau de gaz.
- NE PAS utiliser de rallonge avec cet appareil.
- NE PAS avoir de fusible dans le circuit NEUTRE ou MISE À LA TERRE. Un fusible dans le circuit NEUTRE ou MISE À LA TERRE pourrait provoquer un choc électrique.



ALIMENTATION ÉLECTRIQUE

Un disjoncteur 115 volts CA, 60 Hz, 15 Ampères et une alimentation électrique sont nécessaires. Un circuit protégé par un disjoncteur de fuite à la terre (GFCI) doit être utilisé lorsqu'il est installé à l'extérieur.

Cet appareil n'est PAS conçu pour être installé dans des maisons préfabriquées (mobiles) ou des véhicules récréatifs.

Toutes les unités sont fournies avec un cordon de 5 pieds [1.5 m] avec fiche de mise à la terre à trois broches. Il est impératif que cette fiche soit connectée à une prise à trois broches correctement mise à la terre. Si le récipient n'est pas le type de mise à la terre approprié, contactez un électricien. La prise doit être affleurante ou encastrée dans la surface du mur derrière l'appareil.

- Ne retirez jamais la broche de mise à la terre de cette fiche.
- N'utilisez jamais d'adaptateur à 2 broches.
- Si une prise à 2 broches est rencontrée ou si un cordon d'alimentation plus long est requis, faites appel à un électricien qualifié pour le faire remplacer conformément aux codes électriques applicables.

⚠ AVERTISSEMENT

Vérifiez que le cordon électrique et la fiche ne sont pas endommagés avant de mettre l'appareil sous tension pour éviter tout risque d'électrocution.

AVIS

L'appareil ne doit PAS être totalement enfermé ou des dommages peuvent survenir. La circulation de l'air ne doit pas être restreinte. Le condenseur à l'avant de l'armoire doit être doté d'un espace d'air d'au moins 2 po [5 cm]. Assurez-vous de fournir un accès afin que le couvercle avant puisse être retiré pour nettoyer le condenseur.

⚠ PRÉCAUTION

N'essayez pas de faire fonctionner l'équipement sur une autre source d'alimentation que celle indiquée sur la plaque de spécifications électriques attachée à l'unité.

⚠ DANGER

Ne stockez pas de liquides inflammables (c'est-à-dire d'essence ou de liquide à briquet) ou de vapeurs à proximité de l'appareil pour éviter un incendie.

INFORMATIONS GÉNÉRALES SUPPLÉMENTAIRES

Toutes les instructions électriques supposent que la prise est située à 4 - 10 po [10 - 25 cm] au-dessus de la surface du sol.

Le plancher doit être de niveau dans la zone d'installation. Les niveleurs de pieds sont utilisés uniquement pour un réglage précis et ne doivent pas être utilisés pour compenser les différences de sol dépassant 1/2 po [13 mm].

INSTALLATION DE L'ARMOIRE



▲ DANGER RISQUE D'INCENDIE OU D'EXPLOSION - RÉFRIGÉRANT INFLAMMABLE UTILISÉ. Soyez prudent lors de la manipulation, du déplacement et de l'utilisation du produit afin d'éviter d'endommager le tube de réfrigérant ou d'augmenter le risque de fuite.

KIT DE ROULETTES (EN OPTION)

Un kit de roulettes (AGCK24) est disponible pour les modèles de réfrigération Hestan. Reportez-vous aux instructions fournies avec le kit de roulettes pour une installation correcte.

Remarque: l'installation du kit ajoute 3,75 po [9,5 cm] à la hauteur totale de l'unité.

SUPPORTS ANTI-BASCULEMENT

L'unité peut basculer vers l'avant si les racks / étagères chargés sont tous retirés en même temps. Pour éviter tout basculement et assurer une installation stable, l'unité doit être fixée en place avec les supports anti-basculement fournis avec l'unité. Les supports anti-basculement, lorsqu'ils sont correctement installés, devraient fixer les pattes arrière / patins à la surface de montage et empêcher l'unité de basculer vers l'avant.

AVIS Les supports anti-basculement ne sont utilisés que pour les armoires fixes et ne doivent pas être installés sur des armoires avec roulettes accessoires.

En cas d'installation sur un sol en béton, des attaches en béton sont requises et ne sont pas incluses avec le kit anti-basculement.

Certains sites d'installation peuvent nécessiter des modifications pour fournir une surface sécurisée pour la fixation des supports.

Un jeu de supports anti-basculement est fourni avec l'appareil. Ces supports doivent être fixés au sol à l'arrière de l'unité. Chaque support doit être situé pour engager les pieds arrière lorsque l'armoire est repoussé en position. Reportez-vous à la figure 1 (illustrée ci-dessous) pour les emplacements de montage du support anti-basculement.

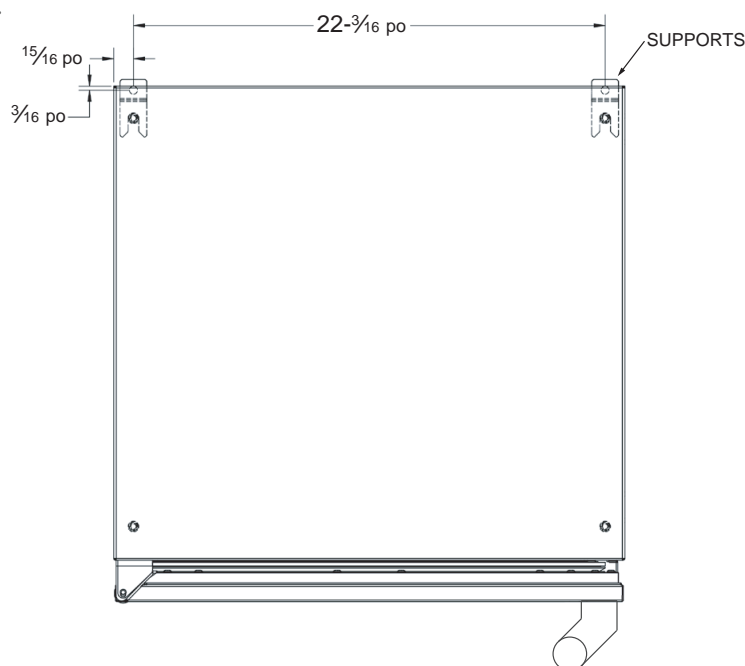


Figure 1. Kit Anti-Basculement 24 po

PRÉPARER L'ESPACE

▲ PRÉCAUTION

Si l'unité doit être installée sous un plan de travail, il est recommandé que le plan de travail soit soutenu par une structure autre que l'unité elle-même pour éviter d'endommager l'unité.

Assurez-vous que le plancher sous l'unité est au même niveau que le plancher fini environnant. Protégez un plancher fini avec du contreplaqué, du carton ou tout autre matériau approprié avant de déplacer l'unité en place. Le non-respect de cette consigne peut endommager le sol.

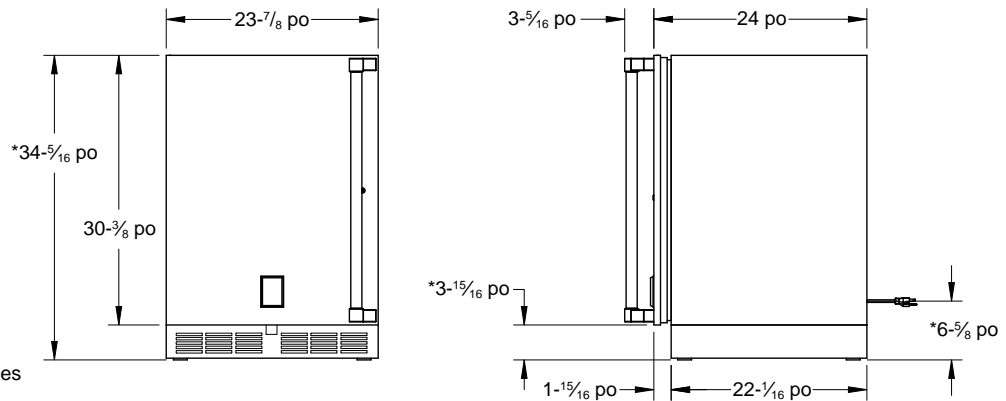
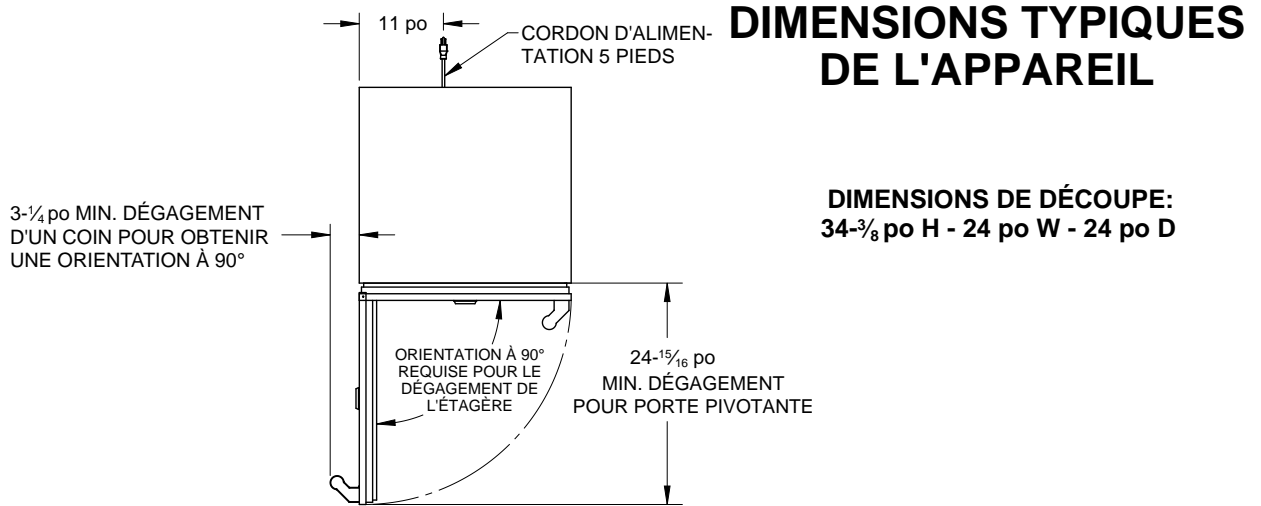


INSTALLATION DE L'ARMOIRE (suite)

Pour assurer des performances maximales, l'air frais doit pouvoir circuler dans le compartiment des machines. Ne placez rien devant l'appareil qui pourrait obstruer la circulation d'air au niveau de ces grilles avant. Ne placez pas l'appareil dans une petite pièce non ventilée.

AVIS L'armoire doit être nivelée de l'avant vers l'arrière, puis d'un côté à l'autre.

1. Assurez-vous que l'ouverture de l'espace est correctement dimensionnée pour l'unité. Voir les dimensions typiques de l'appareil ci-dessous et le tableau ci-dessous pour les exigences d'ouverture brute finie:



* - Les niveleurs de pieds peuvent ajouter 3/4 po à ces dimensions lorsqu'ils sont complètement déployés.

TAILLE (H)	LARGEUR (W)	PROFONDEUR (D)
34-3/8 po [87.3 cm] min.	24 po [61 cm]	24 po [61 cm]
35-1/2 po [90.2 cm] max.		

2. Vérifiez que les éléments suivants sont de niveau et d'équerre:

- Ouverture frontale et intérieure
- Ouverture d'installation et surface au sol
- Bord avant inférieur du comptoir

REMARQUE: Pour qu'une porte s'ouvre correctement, la porte doit s'ouvrir d'au moins 90°. Utiliser un pièce d'obturation d'au moins 3 po [7,6 cm] dans les installations en coin pour assurer une ouverture complète à 90°. Laisser un dégagement de 25 po [64 cm] à l'avant de l'unité pour une ouverture complète de la porte et une sortie de tablette / tiroir.

INSTALLATION DE L'ARMOIRE (suite)



PRÉCAUTION Pour éviter d'endommager le comptoir, ne placez pas d'objets lourds sur le comptoir directement au-dessus de l'appareil.

INSTALLATION DE L'UNITÉ DANS L'ESPACE

1. Branchez l'unité dans la prise électrique mise à la terre de 15 Ampères située dans l'ouverture d'installation. Une fois l'appareil sous tension, vérifiez que les fonctions d'éclairage et de refroidissement fonctionnent correctement. Coupez l'alimentation de la prise murale du disjoncteur.
2. Avec toutes les surfaces dans le carré et le niveau d'ouverture de l'installation, reportez-vous à la Figure 2 ci-dessous et effectuez les étapes suivantes pour mettre l'unité à niveau:
 - À l'avant de l'ouverture, mesurez du plancher jusqu'au bas du bord avant du comptoir.
 - Mesurez à partir de la surface du sol jusqu'au sommet de l'unité dans les coins arrière.
 - Réglez les pieds de l'unité de sorte que ces deux mesures soient égales. À l'aide d'une clé à molette ou d'une pince, tournez les pieds dans le sens horaire pour abaisser l'unité, ou dans le sens anti-horaire pour la soulever.

REMARQUE: Les pieds ne doivent pas dépasser de plus de 3/4 po [19 mm] du bas de l'unité.

3. Faites glisser l'unité en position dans l'ouverture. Assurez-vous que les pieds de mise à niveau arrière glissent sous les supports anti-basculement fourni. Poussez l'unité dans l'ouverture jusqu'à ce que le bord avant inférieur de l'unité affleure les armoires adjacentes ou jusqu'à ce que les pieds arrière soient bien serrés contre les supports anti-basculement.
4. Calez l'avant de l'unité de sorte que la face avant affleure les armoires adjacentes. Ajustez les pattes avant pour soutenir le comptoir à la hauteur calée. À l'aide d'une clé à molette ou d'une pince, tournez les pieds dans le sens horaire pour abaisser l'unité ou dans le sens anti-horaire pour le relever. Le comptoir doit reposer sur le dessus de l'unité.

REMARQUE: Le comptoir doit reposer uniformément sur tout le dessus de l'unité. Cale si nécessaire pour éviter d'endommager le comptoir.

5. Vérifiez les ouvertures intérieures des portes pour vous assurer que l'unité est de niveau et d'équerre. Installez des étagères et / ou des tiroirs. Pour les tiroirs, placez les supports coulissants dans les rainures des supports. Une fois installé correctement, un « clic » doit être entendu des languettes de retenue du support de glissière et les supports doivent glisser doucement. Les languettes de retenue arrêteront la tablette/le tiroir lorsqu'elle sera tirée à pleine extension.
6. Mettez la prise murale sous tension au niveau du disjoncteur.

REMARQUE: Une mauvaise installation de la tablette/du tiroir peut ne pas actionner le mécanisme de glissière.

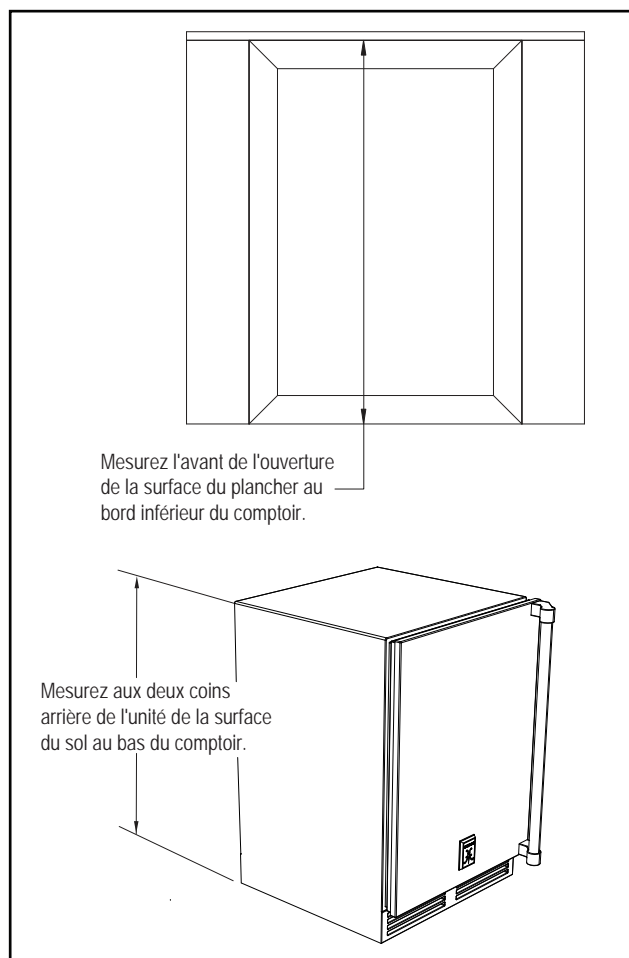


Figure 2. Nivellement de l'unité



INSTALLATION DE L'ARMOIRE (suite)

INSTALLATION DU COUVERCLE DE GRILLE AVANT

Une fois l'unité en place, installez le couvercle de la grille avant à persiennes. Fixez le couvercle en enclenchant le pêne dans le loquet de l'unité (Figure 3).

La grille de ventilation doit être retirée pour l'entretien de l'unité. Le sol ne peut pas interférer avec l'enlèvement, et les sections persiennes ne doit pas être couvert ou obstrué. Des obstructions pourraient empêcher une bonne circulation de l'air, ce qui pourrait endommager l'appareil.

REMARQUE: Pour obtenir des performances maximales, les ouvertures des volets intérieurs et les ouvertures de protection du ventilateur ne doivent jamais être obstruées.

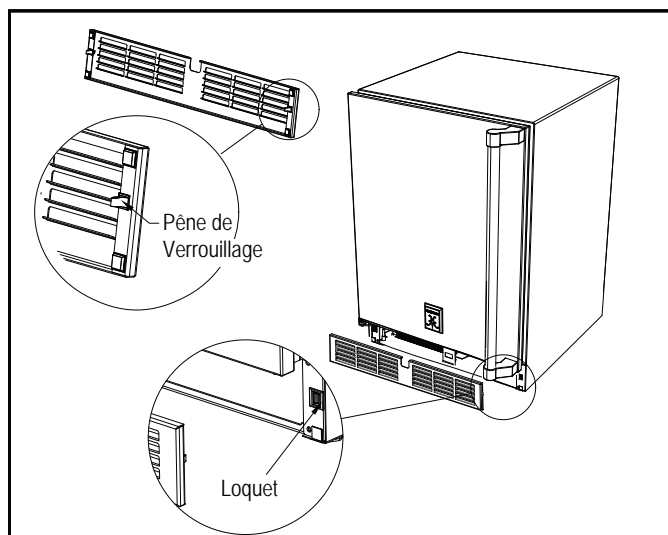


Figure 3. Installation de la Grille Avant

RÉGLAGES DES ÉTAGÈRES / TIROIRS

▲ PRÉCAUTION

Videz complètement l'étagère ou le tiroir avant de les retirer.

1. Tirez la tablette/le tiroir vers sa position la plus éloignée. Localisez les languettes au milieu des deux glissières. Soulevez une languette vers le HAUT tout en poussant la languette opposée vers le BAS et tirez la tablette/le tiroir vers l'extérieur (Figure 4).
2. Positionnez chaque support séparément. Saisissez le milieu du support, tirez l'extrémité avant vers le haut et vers l'extérieur, puis vers l'avant pour retirer.
3. Placez le support à l'emplacement souhaité. Poussez le crochet arrière du support dans la fente de montage arrière, puis placez l'avant du support dans la fente avant.
4. Répétez pour les autres supports.
5. Poussez complètement les glissières dans les supports. Alignez les rainures de l'étagère / du tiroir avec les glissières et glissez complètement dans l'unité.

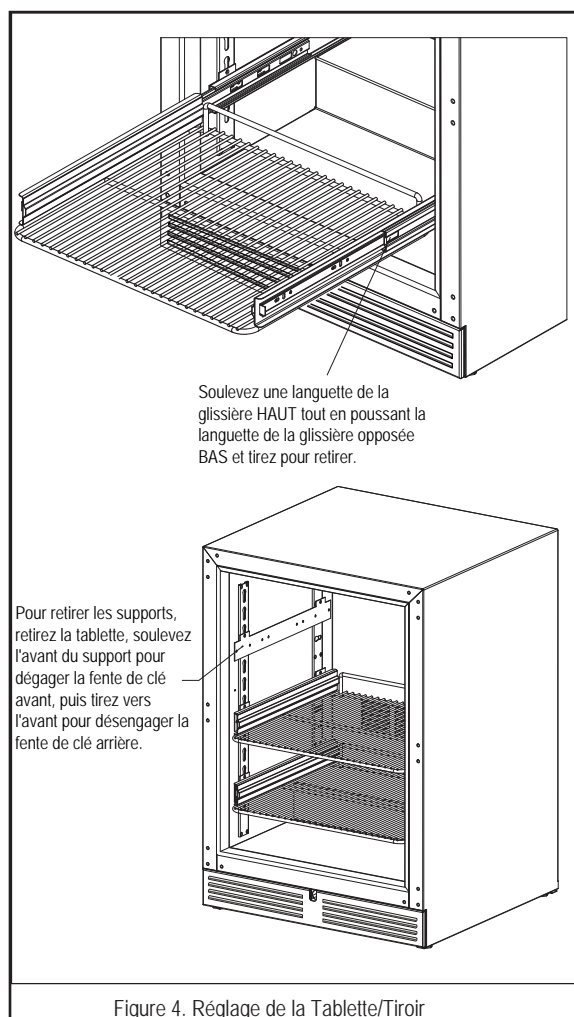


Figure 4. Réglage de la Tablette/Tiroir



OPTIONS DE PORTE

Les unités résidentielles Hestan peuvent être converties de l'acier inoxydable au des panneaux de revêtement dans le champ. Les portes solides et en verre, sont expédiées de l'usine avec des panneaux en acier inoxydable et des poignées en place sur l'unité. Toutes les portes et tiroirs en acier inoxydable sont convertibles en modèles entièrement intégrés, prêts à accepter des panneaux personnalisés (revêtement) de votre fournisseur d'armoires. Vous pouvez contacter le service clientèle Hestan pour envoyer l'un des gabarits suivants, ou télécharger directement à partir du site web Hestan à l'adresse www.hestanoutdoor.com.

- 028370 - Gabarit, Revêtement, Porte Solide 24 po, Réfrigération
- 028371 - Gabarit, Revêtement, Plinthe/Grille 24 po, Réfrigération
- 028372 - Gabarit, Revêtement, Porte Vitrée 24 po, Réfrigération
- 028373 - Gabarit, Revêtement, Tiroir Solide 24 po, Réfrigération
- 028374 - Instructions d'installation, Revêtement, Porte/Tiroir, Réfrigération

Faites attention en choisissant le gabarit correct pour votre unité spécifique. La poignée d'appareil d'origine ou la poignée d'armoire personnalisée peut être installée sur votre panneau de revêtement.

REMARQUE: Le verre avec garniture en acier inoxydable et le verre avec garniture en bois peuvent transpirer dans des conditions d'humidité relative supérieure à 75%.

INSTALLATION DE LA POIGNÉE

▲ PRÉCAUTION

Le montage de la poignée sur le panneau de revêtement doit être monté uniquement sur le revêtement (pas sur la porte réelle) pour éviter d'endommager la porte d'usine. Des matériaux et équipements de travail du bois appropriés doivent être utilisés pour éviter des dommages ou des erreurs de fabrication.

1. La poignée doit être fixée au revêtement avant de le monter sur la porte. Marquez l'arrière du panneau de revêtement avec les emplacements de fixation de la poignée.
2. Percer le panneau de revêtement aux endroits marqués, en prenant soin de ne pas endommager le panneau.
3. Utilisez des vis à tête fraisée de sorte que les têtes affleurent le côté arrière du panneau. Fixez la poignée au panneau de revêtement.

INSTALLATION DE SERRURE DE PORT

▲ PRÉCAUTION

Des matériaux et équipements de travail du bois appropriés doivent être utilisés pour éviter des dommages ou des erreurs de fabrication.

REMARQUE: Les informations d'installation du verrou sont disponibles sur les dessins de gabarit mentionnés ci-dessus. Faites attention en choisissant le modèle correct pour votre modèle spécifique.

Lors de l'installation sur un panneau de revêtement, effectuez l'installation de la serrure avant de monter le revêtement sur la porte!

1. Voir la Figure 5. Fixez le support de montage au revêtement en bois.
2. Insérez le cylindre de verrou et fixez-le avec l'écrou. Réinstallez les pièces restantes comme indiqué.

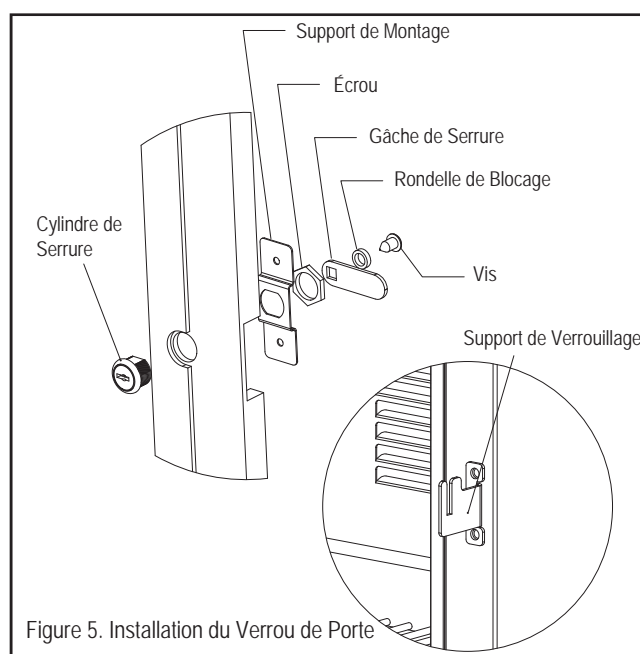


Figure 5. Installation du Verrou de Porte



INFORMATION SUR LA PORTE (suite)

INSTALLATION DU PANNEAU DE REVÊTEMENT

Avant de commencer l'installation, vérifiez que tous les composants sont bien ajustés et finis.

REMARQUE: Pour des informations d'installation plus détaillées, veuillez demander ou télécharger le document 028374 mentionné à la page précédente.

⚠ PRÉCAUTION Pour de meilleures performances et fonctionnalités, les panneaux de revêtement doivent avoir une épaisseur de $3/4$ po [19 mm]. Le poids des revêtements ne doit pas dépasser 20 lb [9 kg] pour les portes solides, 10 lb [4,5 kg] pour les portes vitrées ou 10 lb [4,5 kg] pour les modèles à tiroirs.

1. Une fois l'unité en place, ouvrez la porte, retirez **ATTENTIVEMENT** le joint de la porte (il peut se déchirer) et assurez-vous que les trous pré-perçés du panneau sont alignés avec les trous du cadre de la porte.
2. Fixez sans serrer les quatre coins du panneau de revêtement à la porte à l'aide de vis à bois n° 10 x $3/4$ po, installées à travers le cadre de la porte par l'arrière.
3. Vérifiez l'ajustement, la position et la fonction globale du panneau de revêtement. Faites des ajustements mineurs si nécessaire. Lorsque le panneau est correctement aligné, serrez fermement les vis de montage. Installez le reste des vis de montage et serrez fermement.
4. Réinstallez le joint en vous assurant que la fléchette est fermement enfoncée dans la fente du cadre de la porte. Commencez par les quatre coins et appuyez fermement vers l'intérieur.
5. Vérifiez que le joint est bien en place sur le cadre de la porte une fois terminé.

⚠ PRÉCAUTION Ne serrez pas trop les vis de fixation du panneau de revêtement en bois, car cela pourrait endommager le cadre de porte fourni en usine.

GARNITURE DE CASIER À VIN (EN OPTION)

Tous les casiers à vin sont livrés avec des façades élégantes en acier inoxydable, qui peuvent être retirées et remplacées par d'autres bois pour correspondre à vos armoires. Voir la Figure 6 pour les détails de la face du casier à vin.

REMARQUE: Les faces non finies doivent être finies et scellées. Dans de nombreux cas, les taches et/ou les finitions ont des odeurs qui peuvent être gênantes dans un espace clos. Ne tachez pas et ne finissez pas les faces en bois lors de l'installation sur l'unité. Pour retirer la face avant en bois de l'étagère à vin, tirez simplement l'étagère à vin et retirez les fixations, terminez comme vous le souhaitez.

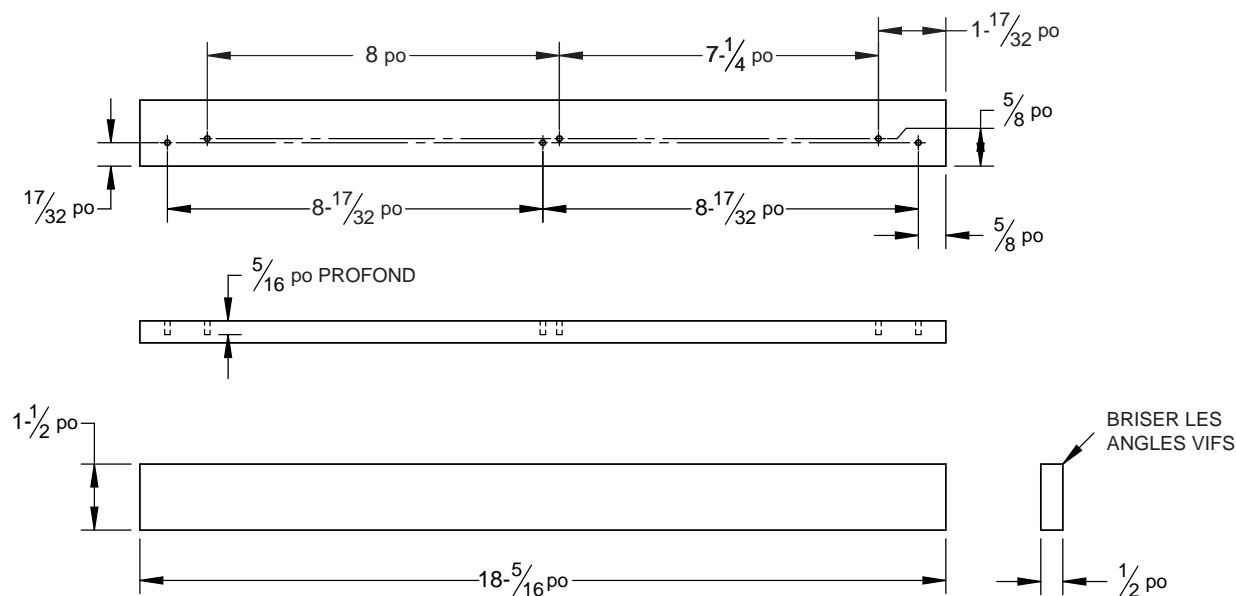


Figure 6. Garniture de Casier à Vin

RETAIN THIS MANUAL FOR FUTURE REFERENCE
CONSERVEZ CE MANUEL POUR UNE RÉFÉRENCE FUTURE



Hestan Commercial Corporation

3375 E. La Palma Ave.
Anaheim, CA 92806
(888) 905-7463