



## REFRIGERATION PRODUCTS

### 15" Ice Machine

- Stainless steel front and sides
- Up to 22 lbs of total ice storage capacity
- Up to 55 lbs of ice produced per 24 hours
- Air-cooled, self contained, built-in storage bin
- Produces top hat ice cubes
- Front in, front out airflow
- Heavy duty insulation
- Adjustable leveling legs
- Left or right hinged models
- NEMA 5-15 plug
- Easily disassembled water circuit for easy cleaning
- R-134a refrigerant
- UL and NSF certified for outdoor and indoor use
- Optional drain pump

### 24" Beer Dispenser

- Stainless steel front, sides, and interior
- 5.2 cubic ft of total storage capacity
- Fits one 1/4 barrel, one slim 1/4 slim barrel, or two 1/6 barrels (pony kegs or 5 gal.)
- Single or double faucet
- CO2 tank, hoses, and fittings
- Door lock
- LED white or blue interior lighting
- Heavy duty insulation
- Temperature control from 33F to 42F
- Digital temperature display
- Variable speed compressor
- Front-vented, forced-air refrigeration system
- Convertible door design allows all doors the ability to be converted to wood overlay from stainless steel
- Zero-clearance hinging
- Adjustable leveling legs
- Left or right hinged models
- UL certified for outdoor and indoor use
- Optional Caster Kit
- Optional Cleaning Kit
- Twelve (12) Hestan signature color finishes

### 24" Dual Zone Refrigerator with Wine

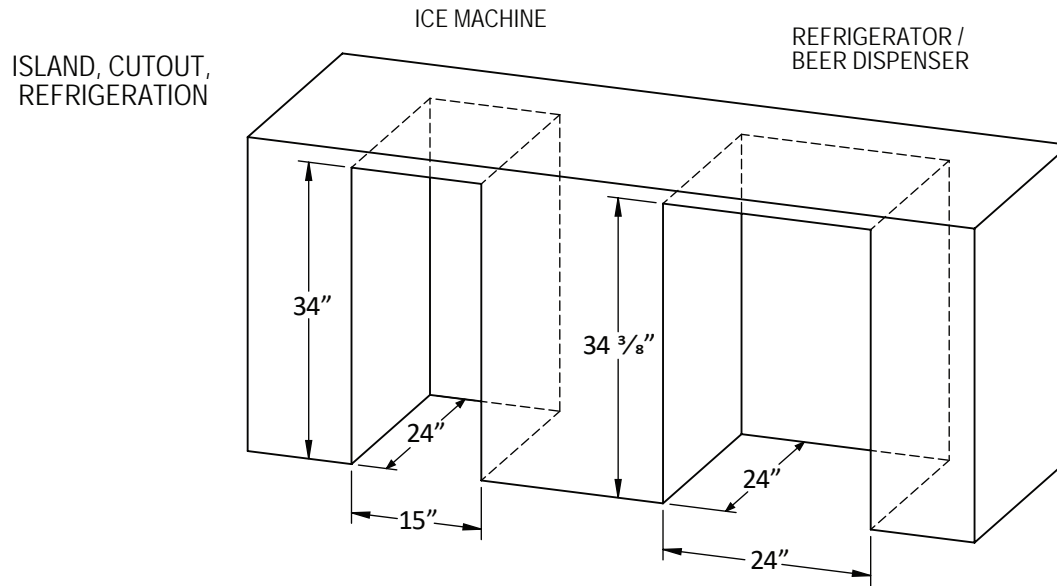
- Stainless steel front, sides, & interior
- Solid stainless steel or glass front door (Low E, UV-coated glass provides industry leading insulation & protection)
- 5.0 cubic ft of total storage capacity
- Two (2) full-extension pull-out wine storage shelves in upper zone, one (1) full extension pull-out shelf in lower zone
- Door lock
- LED white or blue interior lighting
- Heavy duty insulation
- Temperature control from 33°F – 42°F (Lower Refrigerator Zone), 45°F – 65°F (Upper Wine Zone)
- Digital temperature display
- Variable speed compressor
- Front-vented, forced-air refrigeration system
- Convertible door design allows all doors the ability to be converted to wood overlay from stainless steel
- Zero-clearance hinging
- Adjustable leveling legs
- Left or right hinged models
- UL certified for outdoor and indoor use
- Optional Caster Kit
- Twelve (12) Hestan signature color finishes

### 24" Refrigerator

- Stainless steel front, sides, & interior
- Solid stainless steel or glass front door (Low E, UV-coated glass provides industry leading insulation & protection)
- 5.2 cubic ft of total storage capacity
- Door lock
- LED white or blue interior lighting
- Adjustable, full-extension pull-out shelves
- Heavy duty insulation
- Temperature control from 33F to 42F
- Digital temperature display
- Variable speed compressor
- Front-vented, forced-air refrigeration system
- Convertible door design allows all doors the ability to be converted to wood overlay from stainless steel
- Zero-clearance hinging
- Adjustable leveling legs
- Left or right hinged models
- UL certified for outdoor and indoor use
- Optional Caster Kit
- Twelve (12) Hestan signature color finishes

### 24" Refrigerated Drawers / 24" Refrigerated Drawer and Freezer Drawer

- Stainless steel front, sides, & interior
- 5.2 cubic ft of total storage capacity
- Drawers with lock
- LED white or blue interior lighting
- Heavy duty full extension drawer slides
- Heavy duty insulation
- Temperature control from: 33F to 42F (refrigerated drawer GRR) 33F to 42F (refrigerated drawer and -10F to 10F freezer drawer GRFR)
- Digital temperature display
- Variable speed compressor
- Front-vented, forced-air refrigeration system
- Convertible door design allows all doors the ability to be converted to wood overlay from stainless steel
- Adjustable leveling legs
- UL certified for outdoor and indoor use
- Optional Caster Kit
- Twelve (12) Hestan signature color finishes



NOTE: See beer dispenser manual for detailed installation information and faucet tower cutout dimensions.

Models	Description	Electrical Requirements
GRS_24	24" Refrigerator, Solid Door with Lock	115V, 60Hz., 1 Phase, 2.3 amps
GRG_24	24" Refrigerator, Glass Door with Lock	115V, 60Hz., 1 Phase, 2.3 amps
GRR24	24" Refrigerator Drawers with Lock	115V, 60Hz., 1 Phase, 2.3 amps
GRFR24	24" Refrigerator Drawer and Freezer Drawer with Lock	115V, 60Hz., 1 Phase, 2.3 amps
GRWS_24	24" Dual Zone Refrigerator w Wine, Solid Door with Lock	115V, 60Hz., 1 Phase, 2.3 amps
GRWG_24	24" Dual Zone Refrigerator w Wine, Glass Door with Lock	115V, 60Hz., 1 Phase, 2.3 amps
GFDS_241	24" Single Faucet Beer Dispenser, Solid Door with Lock	115V, 60Hz., 1 Phase, 2.3 amps
GFDS_242	24" Double Faucet Beer Dispenser, Solid Door with Lock	115V, 60Hz., 1 Phase, 2.3 amps
GIM_15	15" Ice Machine	120V, 60Hz., 1 Phase, 3.8 amps

\_ = Specify (L) or (R) for Left or Right Hinge model

Hestan Commercial Corporation reserves the right to change materials and specifications without notice.



All Products



Ice Machine Only