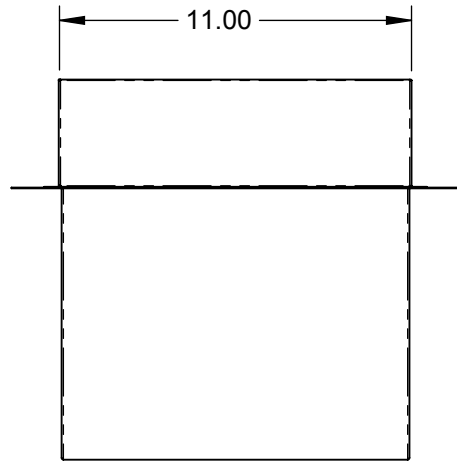
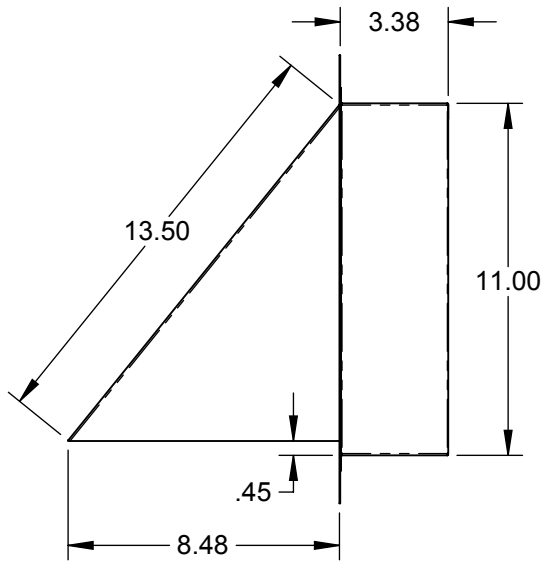
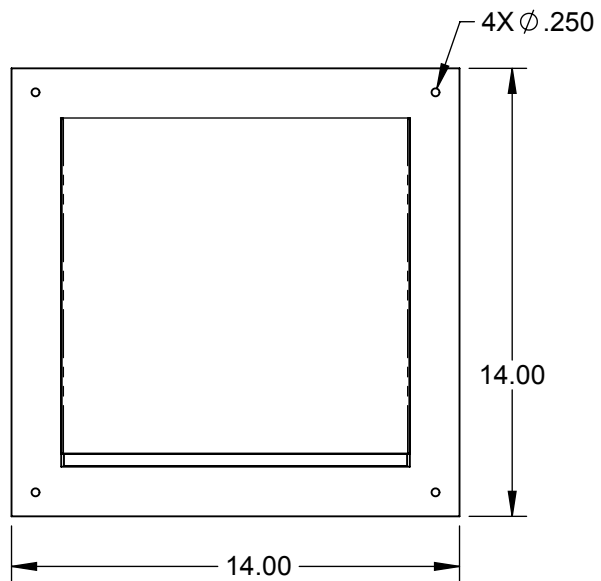
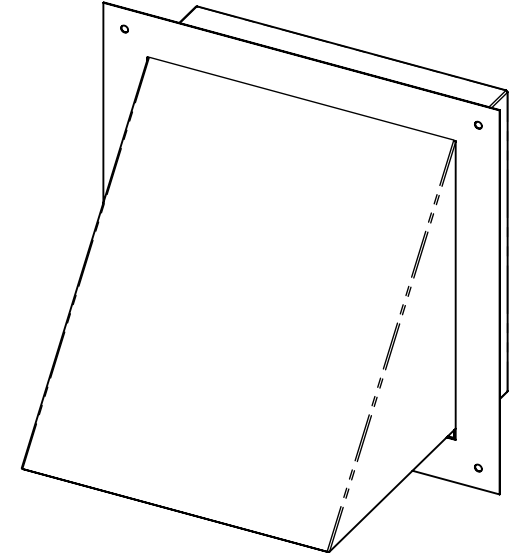


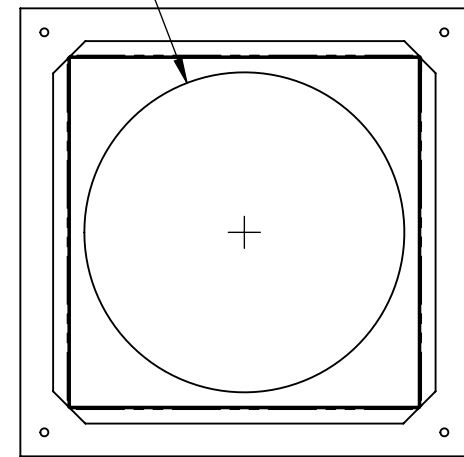
AKVWL10: WALL LOUVER, VENTILATION, 10"



TOP VIEW



Ø 10" HOLE
FOR ROUND
DUCT



REAR VIEW