

# KWU111-17

## 17 Inch Undermount Workstation Single Bowl Stainless Steel Kitchen Sink

# Kräus<sup>®</sup>

SPECIFICATION SHEET

### Sink Dimensions

Overall Dimensions: 17" x 19"

Bowl Dimensions: 15" x 16"

Sink Depth: 10"

### Features

- 16 Gauge Stainless Steel Construction
- Undermount Installation
- Single Bowl Sink
- Required Minimum Cabinet Size: 21" Left to Right, 24" Front to Back
- Rear Off-Set Drain
- 3 1/2" Drain Opening
- NoiseDefend Undercoating and Sound Dampening Pads

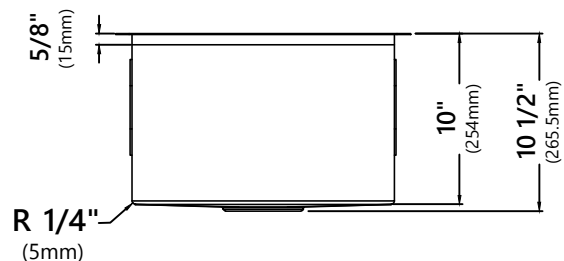
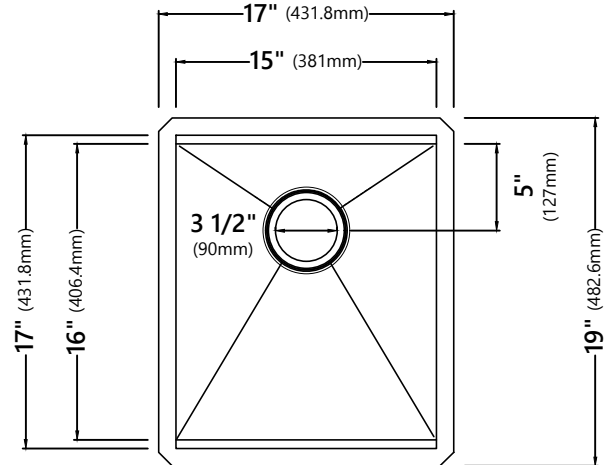
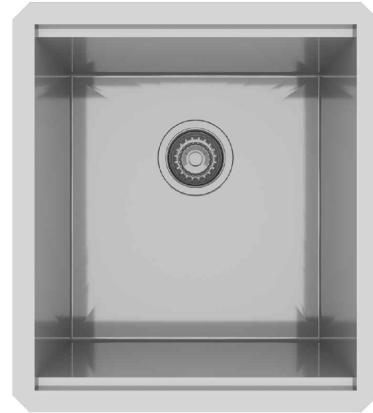
### Accessories Included

- Strainer ST-1
- Cover Cap STC-2
- Bottom Grid KBG-WSU1-17
- Cutting board KCB-WS03BB
- Cut-Out Template
- Mounting Hardware

### CODES/STANDARDS:

#### Product Certification

cUPC (ASME A112.19.3/CSA B45.4)



### Warranty

Kraus Limited Lifetime Warranty

see website for details [www.kraususa.com](http://www.kraususa.com)

Kraus USA Customer Service

1.800.775.0703 | [customerservice@kraususa.com](mailto:customerservice@kraususa.com)

REV. October 1, 2019