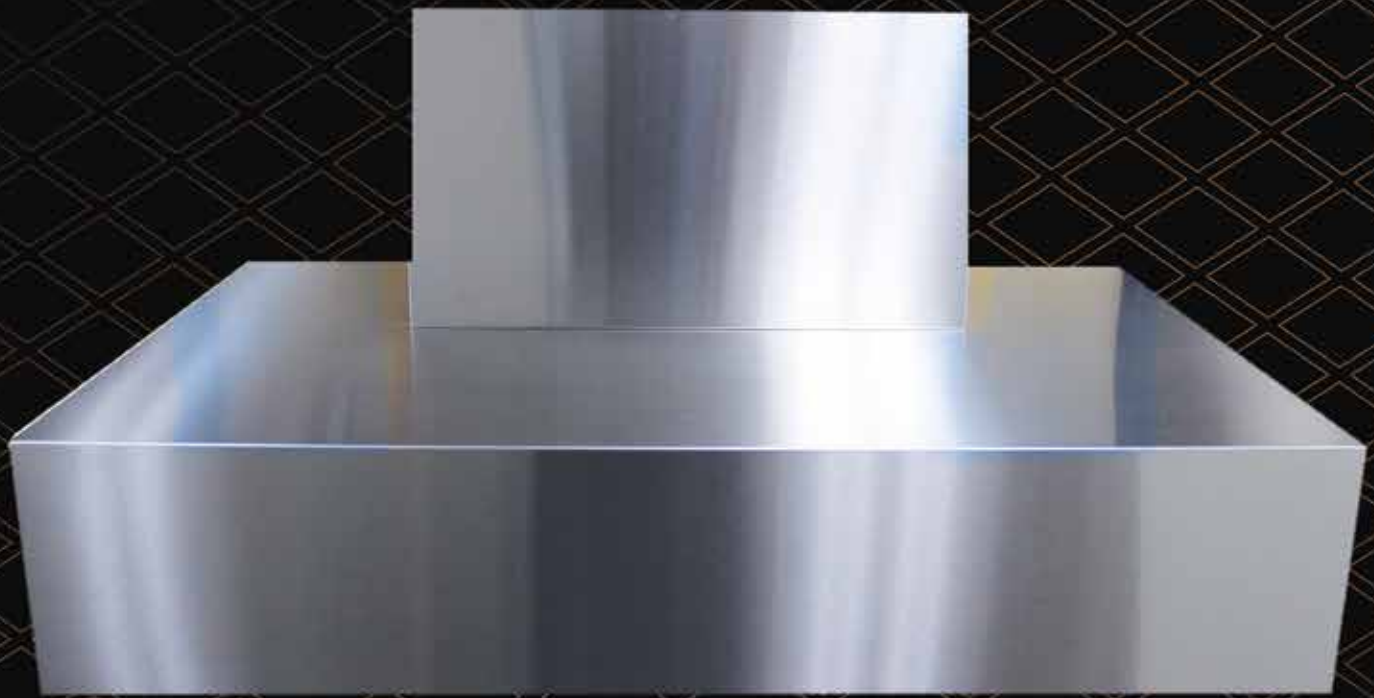


 **HEAT**

OUTDOOR VENTILATION



DESIGNER CHIMNEY HOOD

HEAT

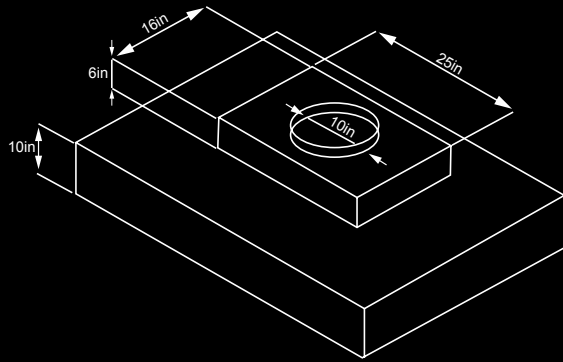
OUTDOOR VENTILATION



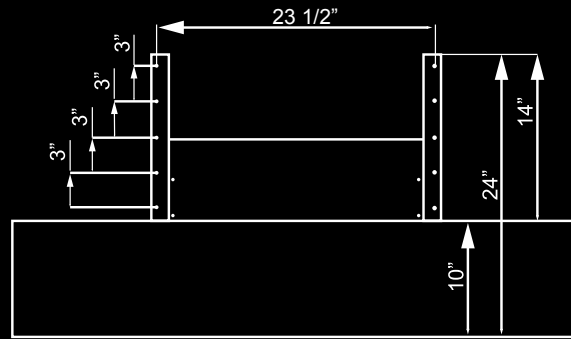
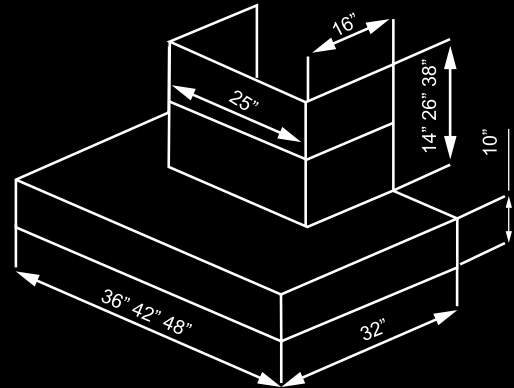
CUSTOM HOOD LINER

Heat Versa Hood Specifications

Side View no Chimney



Side View with Chimney



Front View no Chimney

Heat Versa Hood Required Roof Cap

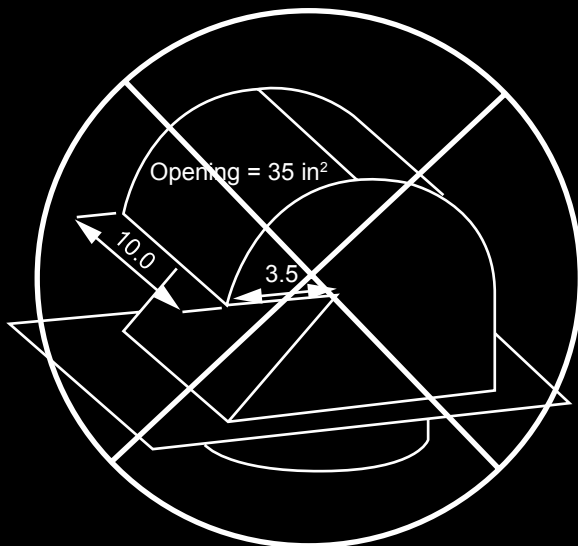


Figure 1

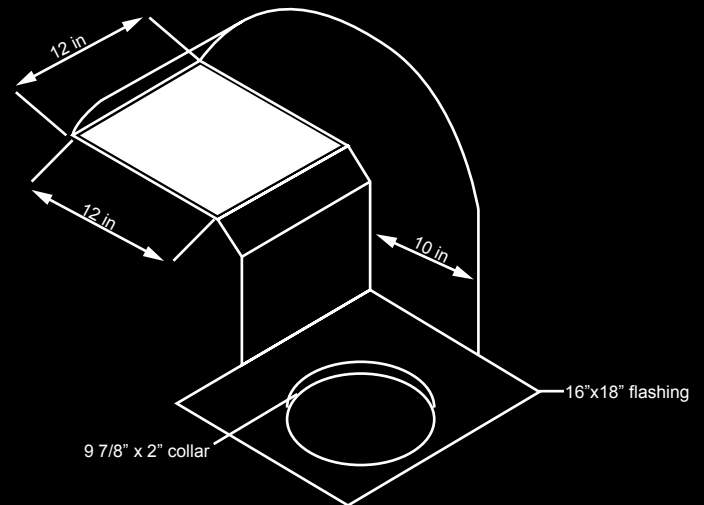


Figure 2

IMPORTANT: A correctly sized roof cap is essential for proper air flow. Heat RC-10 is required. Never use a roof cap like the one shown in Figure 1. Only use the Heat RC-10 with the style shown in Figure 2. This will ensure proper ventilation and reduce the possibility of issues.

Heat Versa Hood Features

- Generously proportioned 32" depth of Hood provides an exceptional capture area (The largest to date in the industry.)
- Available in 36", 42" or 48" wide
- Heavy gauge, 304 grade Stainless Steel with # 4 Brush finish to match virtually every grill's brushed finish
- Large commercial style baffle filters of 304 grade Stainless Steel
- Dimmable 50 watt halogen lights with bulbs supplied with the Versa Hood
- High heat switches for long life over grills
- Powerful, 3 speed Internal Blowers deliver up to 1250 CFM through 1- 10" round duct. No plastic blower components
- Matching Telescoping Duct Cover for 8' to 10' ceiling heights comes standard in the Versa Hood Carton. Optional Duct Cover extension available for up to a 12' ceiling.
- Sturdy, heavy gauge mounting brackets that are pre-installed, makes installation quick and easy.
- Can be converted to rear discharge using standard sheet metal 90 degree elbow.

ANY MODEL CAN SERVE AS A DESIGNER CHIMNEY HOOD OR CUSTOM LINER



Model Number	Description
AL-T7236-12	36" Versa BBQ Hood
AL-T7242-12	42" Versa BBQ Hood
AL-T7248-12	48" Versa BBQ Hood
Outdoor Kitchen Accessories	
DCTEXT-12	12' Ceiling Duct Extension
RC-10	Roof Cap