

Dryer

FFRG4120SW

10 Dry Cycles
6.7 Cu.Ft. D.O.E. Gas



Product Dimensions

Height	44-1/4"
Width	27"
Depth	30-13-16"

More Easy To Use Features

5 Dryness Levels

Includes: Air Dry, Ultra Low, Low, Medium, and High.

Anti-Wrinkle

Anti-Wrinkle Option helps reduce wrinkles.

Electronic Controls

Easy-to-use electronic controls with digital readout and cycle status lights.

Reversible Door

Offers versatile installation options.

NSF* International Certification



Available in:



Classic
White
(W)

Signature Features

Large Capacity

Fit more in every load.

Quick Dry Cycle

Dries clothes fast.

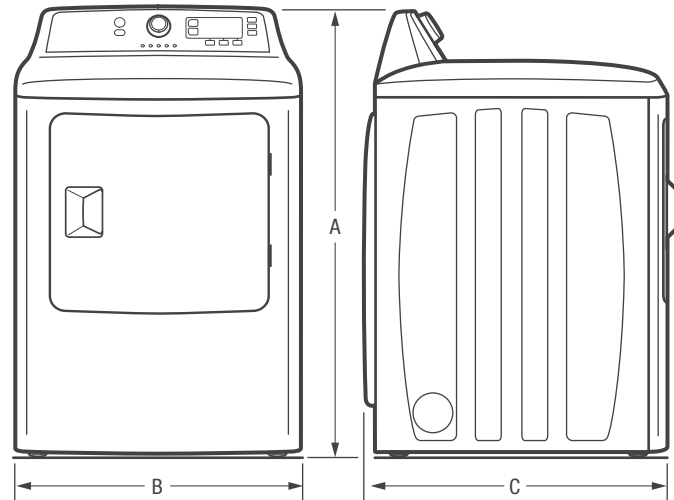
10 Dry Cycles

Features 10 dry cycles to meet all of your drying needs such as Bulky, Casual and Sanitize.

Multiple Cycle Options

Personalize your drying with options such as My Cycle and Eco Dry.

Features	
Total Capacity D.O.E. (Cu.Ft.)	6.7
Controls	Digital
Dryer Drum Interior	Stainless Steel
Interior Light	
Framed Glass Window Door	
DrySense™ Technology	Yes
Wrinkle Release Technology	Yes
TimeWise® Technology	
Moisture Sensor	Yes
Estimated Time Remaining	Yes
Cycle Status Lights	Yes
Cycle Signal	Chime
Cycle Signal "On/Off"	Yes
Control Lock	
Start / Pause / Cancel Knobs	Yes
Delay Start	Yes
Tumble Speed (RPM)	50
Reversible Door	Yes
Lint Screen	Yes
Sound Package	
Adjustable Leveling Legs	4
Cycles	
Dry Cycles	10
Specialty Cycles	0
Options	
Temperature Selections	4
Dryness Level Selections	5
Timed Dry	Yes
Energy Saver Option	
Optional Accessories	
LP Gas Conversion Kit	PN # HA004
Drying Rack	PN # 137067300
Certifications	
NSF® Certified	Yes
Specifications	
Maximum Exhaust Duct Length ¹ (Ft.)	64
Gas Connection	Rear
Power Cord Location	Rear
Voltage Rating	120V / 60Hz
Connected Load (kW Rating) @ 120 Volts ²	4.0
Amps @ 120 Volts	9.0
Heating Element (BTU / HR)	16,000
Shipping Weight (Approx.)	143 Lbs.



¹Rigid metal duct preferred, semi-rigid optional and allow deductions for elbows and vents. Refer to Installation Guide on web for additional information.

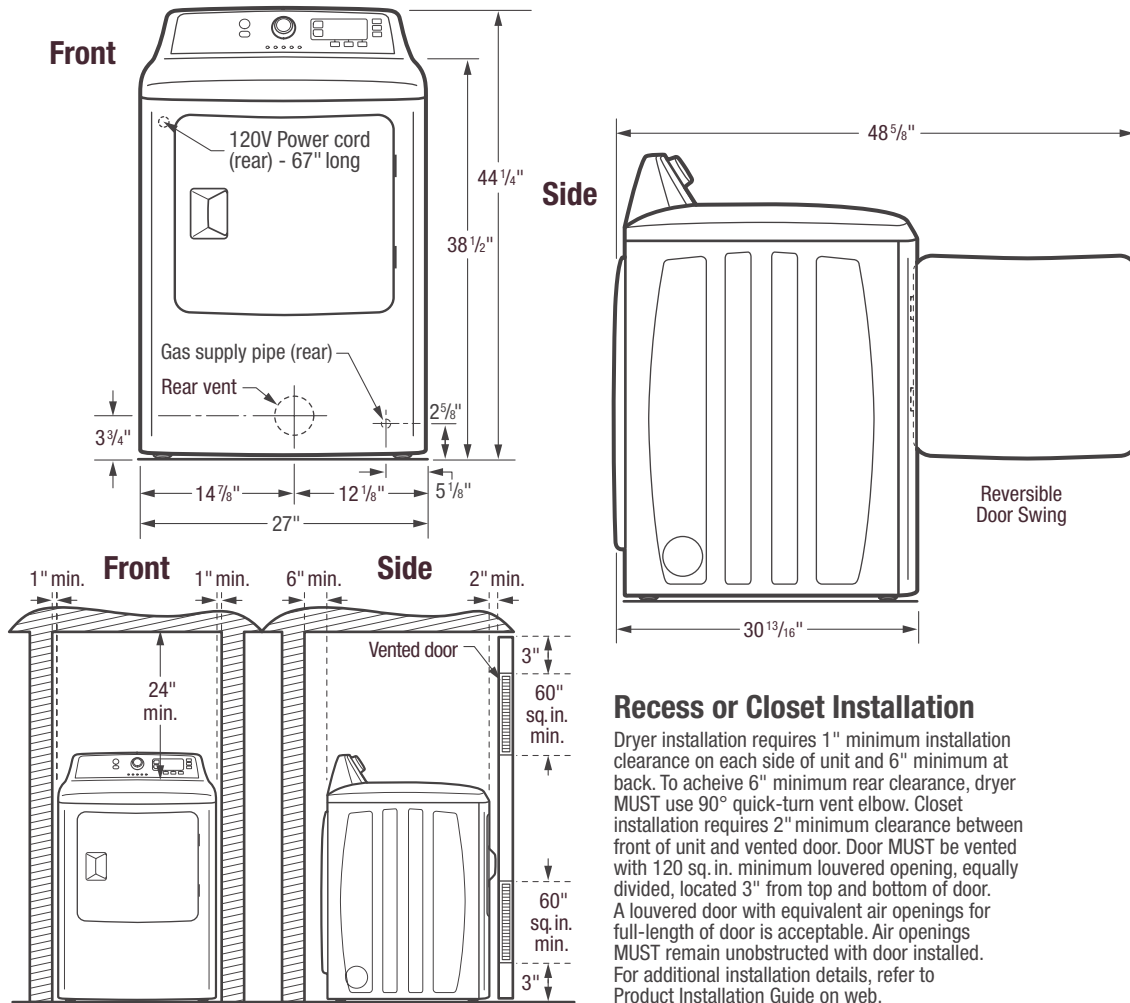
²For use on adequately wired 120V, dedicated circuit having 2-wire service with a separate ground wire. Appliance must be grounded for safe operation.

NOTE: For planning purposes only. Always consult local and national electric and gas codes. Refer to Product Installation Guide for detailed installation instructions on the web at frigidaire.com.



Product Dimensions	
A - Height	44-1/4"
B - Width	27"
C - Depth	30-13-16"
Depth with Door Open 90°	48-5/8"

Accessories information available on the web at frigidaire.com



Recess or Closet Installation

Dryer installation requires 1" minimum installation clearance on each side of unit and 6" minimum at back. To achieve 6" minimum rear clearance, dryer MUST use 90° quick-turn vent elbow. Closet installation requires 2" minimum clearance between front of unit and vented door. Door MUST be vented with 120 sq. in. minimum louvered opening, equally divided, located 3" from top and bottom of door. A louvered door with equivalent air openings for full-length of door is acceptable. Air openings MUST remain unobstructed with door installed. For additional installation details, refer to Product Installation Guide on web.

Top Load Dryer Specifications

- Product Shipping Weight (approx.) - 143 Lbs.
- Designed for HOME USE only, not recommended for commercial application.
- An electrical supply with grounded three-prong receptacle is required. The power supply circuit must be installed in accordance with current edition of National Electrical Code (ANSI/NFPA 70) and local codes & ordinances. (Do not use same circuit as washer.)
- Voltage Rating - 120V/60
- Amps @ 120 Volts = 9.0 Amps
- Connected Load (kW Rating) @ 120 Volts = 4.0kW
- Equipped with 120V 3-wire power supply cord, approx. 67" long.
- Always consult local and national electric & gas codes.
- Dryer installation requires 1" minimum installation clearance on each side of unit and 6" minimum at back. To achieve 6" minimum rear clearance, dryer MUST use 90° quick-turn vent elbow. Closet installation requires 2" minimum clearance between front of unit and vented door. Door MUST be vented with 120 sq. in. minimum louvered opening, equally divided, located 3" from top and bottom of door. A louvered door with equivalent air openings for full-length of door is acceptable. Air openings MUST remain unobstructed with door installed. (For additional installation details, refer to Product Installation Guide on web.)
- Do NOT install in area exposed to dripping water or outdoor weather conditions; where gasoline or other flammables are kept or stored; or where dryer comes in contact with curtains, drapes or anything that will obstruct flow of combustion and ventilation air.

- For garage installation, dryer MUST be located minimum 18" above floor.
- Floor MUST be solid with 1" maximum slope. Do NOT install on carpeted surface.
- Dryer MUST exhaust to outside of building, NOT into any concealed space.
- Exhaust installation requires minimum 4"-diameter rigid or semi-rigid metal duct with approved, unobstructed vent hood having swing-out damper(s). If installing rigid metal duct (preferred), do not exceed MAXIMUM venting run length of 64 ft., allow deductions for elbows and vents. If installing semi-rigid metal duct, do not exceed MAXIMUM venting run length of 8 ft., always allow deductions for elbows and vents (Refer to Product Installation Guide on web for additional information). Do NOT use flexible plastic or metal foil duct and use shortest run possible.
- Gas supply line should be 1/2" black iron, stainless steel, or plastic-coated brass pipe and MUST have individual shutoff valve, located within 6 feet of dryer. Gas supply line must be installed in accordance with current edition of National Fuel Gas Code (ANSI Z223.1) and local codes & ordinances.
- Leveling legs supplied to level dryer properly and reduce excessive noise and vibration.

Note: For planning purposes only. Refer to Product Installation Guide on the web at frigidaire.com for detailed instructions.

Optional Accessories

- LP Gas Conversion Kit - (PN# HA004).
- Drying Rack - (PN# 137067300).

