

# FRIGIDAIRE

FCRE3052AB  
FCRE3052AS  
FCRE3052AW

Electric Ranges

Available Colors : Black, Stainless Steel, White

30" Electric Range

Version : 08/19



## Product Specifications

### Electrical Specifications

Connected Load (kW Rating) @ 120V	11.5 / 8.5
Power Supply Connection Location	Rear Centerline Lower
Minimum Circuit Required (Amps)	40A
Voltage Rating	240V / 208V 60Hz

### Certifications & Approvals

ADA Compliant	No
Agency Approval	UL
Sabbath Mode	No

### Exterior Dimensions

Depth	25-3/4"
Height	46-9/16"
Width	29-7/8"

### Drawer

Drawer Functionality	Storage
----------------------	---------

### General Specifications

Leveling Legs	4 Adjustable
PROP 65 Label	Yes

### Cooking Controls

Automatic Oven (Delay Cook & Off)	No
Bake	Yes
Broil	Yes
Cancel	Yes
Delay Clean	No
Lockout	No
Lower Drawer Controls	No
Self-Clean	No
Probe	No
Timed Bake	No
Timer	Yes
Timed Shut-off	12 hours

### Oven Specifications

Bake	2600 Watts
Baking System	Even Baking Technology
Broil	3000 Watts
Broil System	Vari-Broil™ High/Low
Oven 1 Cleaning System	Manual Clean
Oven 1 Interior Depth	19-1/8"
Oven 1 Interior Height	19-3/4"
Oven 1 Interior Width	24-3/8"
Oven 1 Rack Configuration	2 Standard
Oven 1 Rack Positions	6 Positions
Total Capacity	5.3

### Cooktop

Center Rear	Warming Zone - 100 Watts
Cooking Surface	Upswept Black Smoothtop
Cooktop Surface Type	Smooth Surface
Element On Indicator Light	1 Clear
Hot-Surface Indicator Light	1 Clear
Knob Color	Black with Red Indicator Line
Knob Type	Plastic Black
Left Front	9" - 3000 Watts
Left Rear	6" - 1200 Watts
Right Front	6" to 9" Expandable Element (1400/3000 Watts)
Right Rear	6" - 1200 Watts

### Finish

Control Panel Finish	Black Metal with Stainless Steel Overlay
Cooktop Finish	Black Porcelain
Door Finish	Glass with Stainless Steel overlay

### Accessories

Griddle	Optional
---------	----------

Note: For planning purposes only. Always consult local and national electric, gas and plumbing codes. Refer to Product Installation Guide for detailed installation instructions on the web at [frigidaire.com/frigidaire.ca](http://frigidaire.com/frigidaire.ca). Specifications subject to change. Accessories information available on the web at [frigidaire.com/frigidaire.ca](http://frigidaire.com/frigidaire.ca)

# FRIGIDAIRE

FCRE3052AB  
FCRE3052AS  
FCRE3052AW

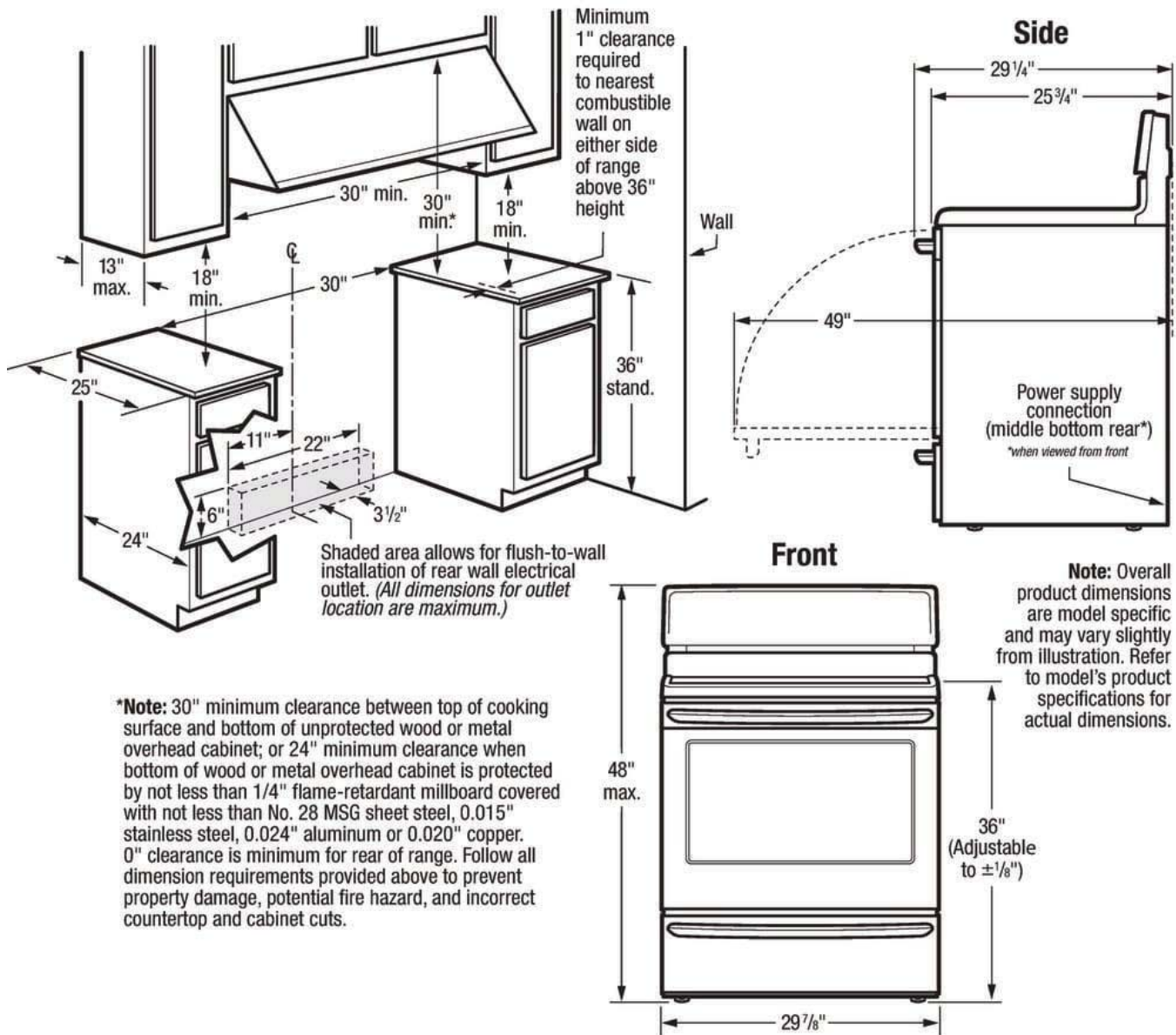
Available Colors : Black, Stainless Steel, White

Version : 08/19

Electric Ranges

30" Electric Range

## Installation Drawing



**\*Note:** 30" minimum clearance between top of cooking surface and bottom of unprotected wood or metal overhead cabinet; or 24" minimum clearance when bottom of wood or metal overhead cabinet is protected by not less than 1/4" flame-retardant millboard covered with not less than No. 28 MSG sheet steel, 0.015" stainless steel, 0.024" aluminum or 0.020" copper. 0" clearance is minimum for rear of range. Follow all dimension requirements provided above to prevent property damage, potential fire hazard, and incorrect countertop and cabinet cuts.

Note: For planning purposes only. Always consult local and national electric, gas and plumbing codes. Refer to Product Installation Guide for detailed installation instructions on the web at [frigidaire.com/frigidaire.ca](http://frigidaire.com/frigidaire.ca). Specifications subject to change. Accessories information available on the web at [frigidaire.com/frigidaire.ca](http://frigidaire.com/frigidaire.ca).