



- **OWNER'S MANUAL**
- **LE MANUEL DU PROPRIÉTAIRE**
- **DAR055D1BSSPR**

CAUTION

Read and follow all safety rules and operating instructions before first use of this product.

PRÉCAUTION

Veillez lire attentivement les consignes de sécurité et les instructions d'utilisation avant l'utilisation initiale de ce produit.



1-844-455-6097

Danby Products Limited, Guelph, Ontario Canada N1H 6Z9
Danby Products Inc., Findlay, Ohio USA 45840

SLV3.03.07

CONTENTS/TABLE DE MATIÈRES

ALL REFRIGERATOR

Owner's Use and Care Guide 1-6

- Safety Instructions
- Installation Instructions
- Features
- Operating Instructions
- Care and Maintenance
- Troubleshooting
- Warranty

LE TOUT RÉFRIGÉRATEUR

Guide d'utiliser et soin de propriétaire 8-13

- Consignes de Sécurité
- Consignes de Installation
- Caractéristiques
- Opération
- Soins et Entretien
- Dépannage
- Garantie

CAUTION

Read and follow all safety rules and operating instructions before first use of this product.

PRECAUTION

Veillez lire attentivement les consignes de sécurité et les instructions d'utilisation avant l'utilisation initiale de ce produit.

IMPORTANT SAFETY INFORMATION

READ ALL SAFETY INFORMATION BEFORE USING

WARNING: RISK OF CHILD ENTRAPMENT

An empty refrigerator is a very dangerous attraction to children. Remove either the gasket, latches, lids, lock and/or doors from unused or discarded appliances, or take some other action to guarantee it harmless.

DONT WAIT DO IT NOW!

PRECAUTIONS

To avoid installation/operation difficulties, read these instructions thoroughly.

- This appliance must be grounded. Connect only to a properly grounded outlet. See “Grounding Instructions” section.
- Do not operate this appliance if it has a damaged power cord or plug, if it is not working properly, or if the appliance has been damaged or dropped.
- Never allow children to operate, play with, or crawl inside the appliance.
- Never clean appliance parts with flammable fluids. The fumes can create a fire hazard or explosion.
- Do not store or use gasoline or any other flammable vapors or liquids in the vicinity of this or any other appliance. The fumes can create a fire hazard or explosion.
- Do not splice the power cord that is equipped with this appliance.
- Keep power cord away from heated surfaces.
- Do not immerse power cord plug or the appliance itself in water.
- Do not use this product near water—for example, in a wet basement, near a swimming pool or near a sink.
- Do not use corrosive chemicals or vapors in this appliance.
- Use this appliance only for its intended use, as described in this manual.
- See door surface cleaning instructions in the Care and Cleaning section(s) of this manual.
- Do not cover or block any openings on the appliance.
- This appliance is intended for household use only. Do not attempt to operate or store this appliance out doors.
- This appliance should be serviced only by qualified service personnel. Contact the nearest authorized service facility for examination, repair or adjustment.

GROUNDING INSTRUCTIONS



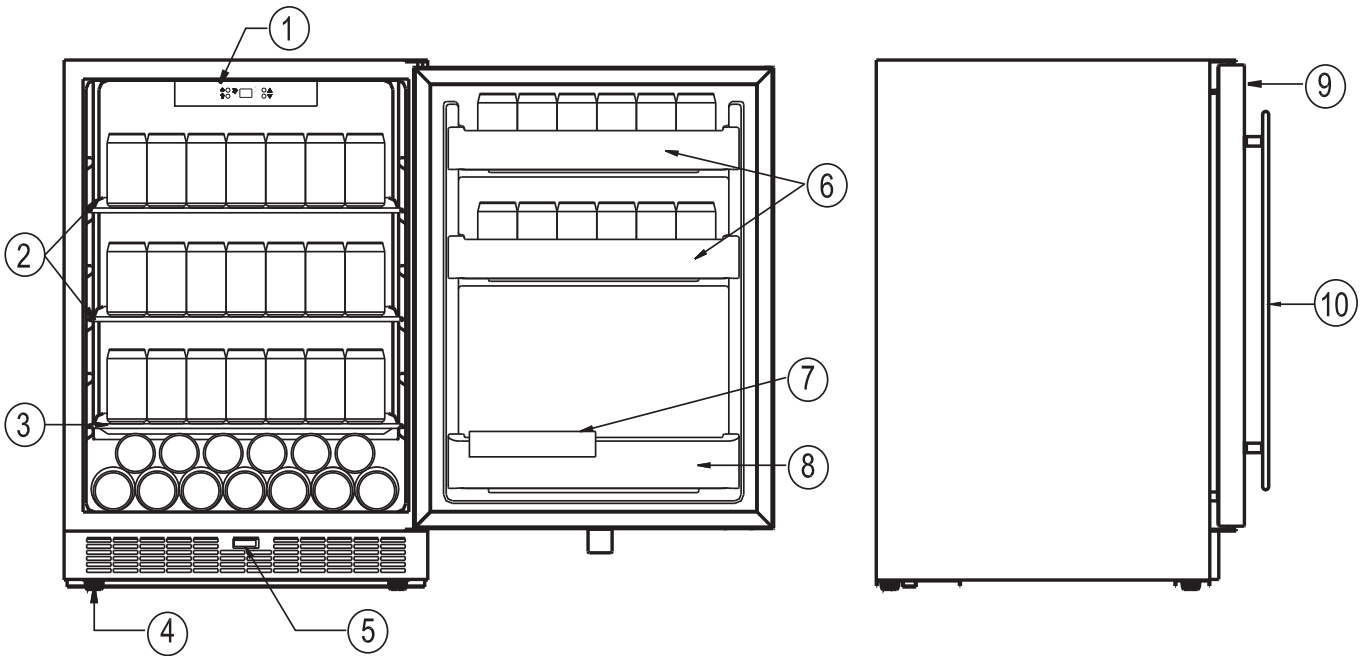
WARNING

Improper use of the grounding plug can result in a risk of electric shock.

- This appliance must be grounded. In the event of an electrical short circuit, grounding reduces the risk of electric shock by providing an escape wire for the electric current.
- This appliance is equipped with a power cord having a grounding wire with a grounding plug. The plug must be plugged into an outlet that is properly installed and grounded.
- Consult a qualified electrician or service technician if the grounding instructions are not completely understood, or if doubt exists as to whether the appliance is properly grounded.
- If the outlet is a standard 2-prong wall outlet, it is your personal responsibility and obligation to have it replaced with a properly grounded 3-prong wall outlet.
- For best operation, plug this appliance into its own electrical outlet to prevent flickering of lights, blowing of fuse or tripping of circuit breaker.
- **Do not** under any circumstances cut or remove the third (ground) prong from the power cord.
- **Do not** use an adapter plug with this appliance.
- **Do not** use an extension cord with this appliance. If the power cord is too short, have a qualified electrician or service technician install an outlet near the appliance.

SAVE THESE INSTRUCTIONS

FEATURES



1. Control panel : For viewing and regulating the temperature of the refrigerator.
2. Full glass shelves with white trim.
3. Small glass shelf with white trim.
4. Leveling Legs
5. Interior Light Toggle Switch: To control the light and display window screen. Turns on when the door is open and turns off when the door is closed.

6. Door Storage
7. Baffle plate
8. Tall bottle storage (2 liter storage)
9. Foam insulated stainless steel wrapped door.
10. Stainless steel towel bar handle.

NOTE:

This unit is front breathing. Do not block the front air vent. Blockage of the vent will result in high operating temperature and system failure. (Fig. A)



Fig. A

INSTALLATION INSTRUCTIONS

BEFORE USING YOUR ALL REFRIGERATOR

- Remove the exterior and interior packing.
- Before connecting the refrigerator to the power source, let it stand upright for approximately 2 hours. This will reduce the possibility of a malfunction in the cooling system from handling during transportation.
- Clean the interior surface with lukewarm water using a soft cloth.
- When disposing your appliance, please choose an authorized disposal site.

INSTALLATION OF YOUR ALL REFRIGERATOR

- Place your refrigerator on a floor that is strong enough to support it when it is fully loaded. To level your refrigerator, adjust the front leveling leg at the bottom of the refrigerator.
- Locate the refrigerator away from direct sunlight and sources of heat (stove, heater, radiator, etc.). Direct sunlight may affect the exterior of the cabinet and heat sources may increase electrical consumption. Extreme cold ambient temperatures may also cause the unit not to perform properly.
- Avoid locating the unit in moist areas.
- Plug the refrigerator into an exclusive, properly installed grounded wall outlet. Do not under any circumstances cut or remove the third (ground) prong from the power cord. Any questions concerning power and/or grounding should be directed toward a certified electrician or an authorized service center.

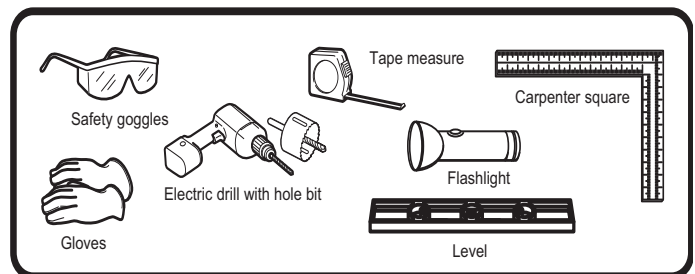
NOTE

- In order for the refrigerator to remain efficient do not over load it;
- Do not open the door unless necessary;
- Do not cover shelves with aluminum foil or any other shelf material which may prevent air circulation;
- Should the refrigerator be stored without use for long periods it is suggested, after a careful cleaning, to leave the door ajar to allow air to circulate inside the cabinet in order to avoid possible formations of condensation, mold or odors.

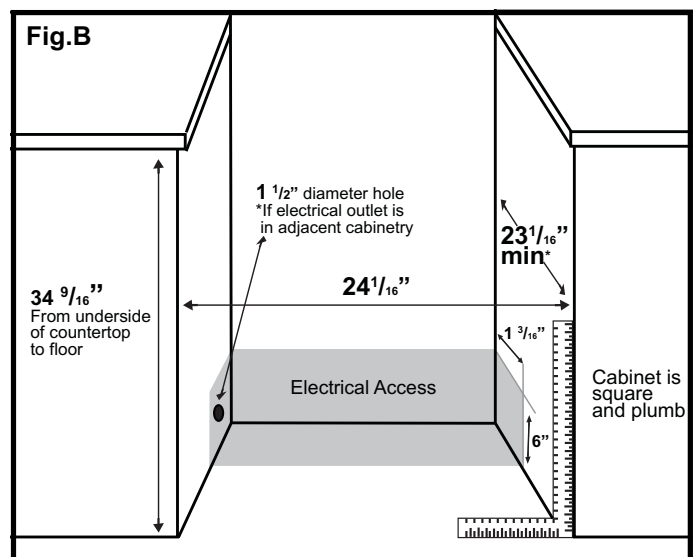
INSTALLATION SPECIFICATIONS FOR BUILT IN APPLICATION

TOOLS YOU WILL NEED

While performing installations described in this section, gloves, safety glasses and goggles should be worn.



- It is recommended that you do not install the unit directly beside a wall. This is to allow the door to have a greater than 90° opening swing. A limited door swing may lead to damaging the door gasket.
- The rough cabinet opening must be on a level floor area and at least $23\frac{1}{16}$ " deep by $24\frac{1}{16}$ " wide. The opening should also have a height of at least $34\frac{9}{16}$ ".
- The electrical outlet may be positioned from within either side of the adjacent cabinetry, or the rear of the shaded area (as shown in Fig B).
- If the electrical outlet is located inside the adjacent cabinetry, cut a 1-1/2" diameter hole to admit the power cord. If the cabinet wall is metal, the hole edge must be covered with a bushing or grommet.



OPERATING INSTRUCTIONS

Please use the unit between 5-32°C ambient temperature. If the ambient temperature is higher than or lower than this temperature it will cause the temperature to fluctuate in the cabinet.

FUNCTIONS

Temperature Memory Function

• In the event of power loss the set temperature will be saved by the unit. Once the power is back on the unit will return the same set temperature.

Door Ajar Function

• If the door is not fully closed, there will be a warning alarm after 5 minutes.

Temperature Alarm Function

• If inner temperature is higher than 73°F (23°C). The “HI” is shown in display panel and the alarm will sound. It informs you that the inner temperature is too high, please check the reason why.

• If inner temperature is lower than 28°F (-2°C), the “LO” is shown in display panel and the alarm will sound as well the malfunction indicator light will illuminate.

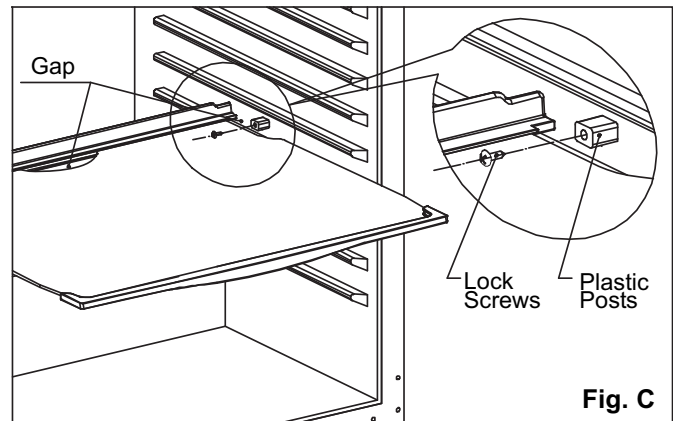
SHELVES

IMPORTANT!

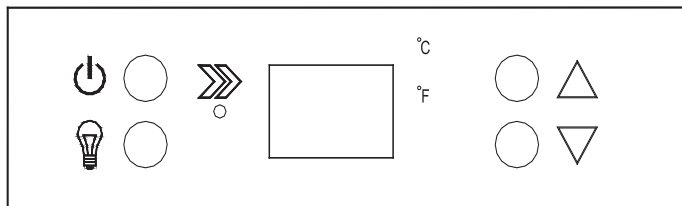
Do not cover the gap on the glass shelves with aluminum foil or any other material that will prevent adequate air circulation within the cabinet.


When removing any of these shelves out of the rail compartment, you must first disassemble and remove the plastic posts then remove the Lock screws that hold each post in place. **(Fig C)**

To re-install, ensure the shelf is resting securely on the support brackets and push shelf inward until it locks into place.





CONTROL PANEL INSTRUCTIONS




 Indicator light illuminates to signify the cooling mode is currently in operation.

 Control the interior light ON/OFF.

 To turn on/off appliance (press and hold this button for approximately 3 seconds).


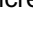
 Used to raise (warm) the temperature by 1° increments.



 Used to lower (cool) the temperature by 1° increments.

(°C / °F) Adjacent indicator light denotes which scale of temperature is displayed.

SETTING THE TEMPERATURE CONTROLS

When you plug in your refrigerator for the first time the temperature will automatically be set to 41 °F (5°C) and will be displayed in the Fahrenheit scale (°F)

• The temperature range can be set as low as 36 °F (2°C) or as high as 50°F (10°C) to suit your specific storage requirements. Each depression of the  or  buttons will allow you to adjust the temperature in 1° degree increments within the aforementioned range.

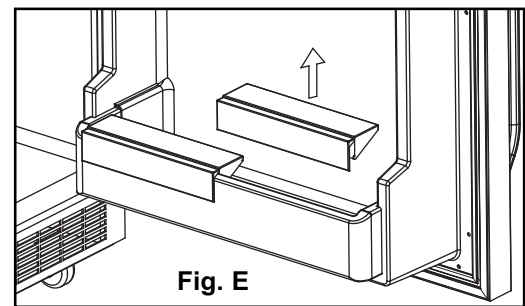
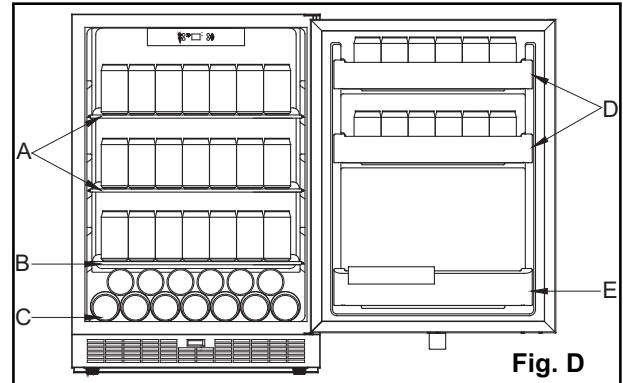
• To switch the display between the Fahrenheit (°F) and Celsius (°C) scale, depress the  and  buttons simultaneously for approximately 3-5 seconds.

BEVERAGE STORAGE

The unit can store a maximum of 123/330ml beverage cans, 2 (2) gallon bottles. Detail storage method please see **Fig.D**.

- Location A, large shelf can hold 35 (330ml) beverage cans.
- Location B, small shelf can hold 28 (330ml) beverage cans.
- Location C, bottom of the unit can hold 13 (330ml) beverage cans.
- Location D, each storage box can hold 6 (330ml) beverage cans.
- Location E, lower door shelf can hold 2 (2) litre beverage bottles, please see **Fig.E**.

- > If you need to store a 2 gallon beverage bottle, take out the block board as shown below (see **Fig. D**) and keep the block board out of reach of children.
- > If you do not need to keep a 2 litre beverage bottle, put the block board back in place.



! WARNING

Do not put tall bottles in the door shelf without the baffle plate in place to avoid bottles falling out.

CARE AND MAINTENANCE

CLEANING YOUR ALL REFRIGERATOR

- Turn off the power, unplug the appliance, and remove all items including shelves.
- Wash the inside surfaces with a warm water and baking soda solution. The solution should be about 2 tablespoons of baking soda to a quart of water.
- Wash the shelves with a mild detergent solution.
- Wring excess water out of the sponge or cloth when cleaning area of the controls, or any electrical parts.
- Wash the outside cabinet with warm water and mild liquid detergent. Rinse well and wipe dry with a clean soft cloth.

VACATION TIME

- **Short vacations:** Leave the refrigerator operating during vacations of less than three weeks.
- **Long vacations:** If the appliance will not be used for several months, remove all items and turn off the appliance. Clean and dry the interior thoroughly. To prevent odor and mold growth, leave the door open slightly: blocking it open if necessary.

MOVING YOUR ALL REFRIGERATOR

- Remove all items.
- Securely tape down all loose items (shelves) inside your appliance.
- Turn the adjustable leg up to the base to avoid damage.
- Tape the door shut.
- Be sure the appliance stays secure in the upright position during transportation. Also protect outside of appliance with a blanket, or similar item.

POWER FAILURE

Most power failures are corrected within a few hours and should not affect the temperature of your appliance if you minimize the number of times the door is opened. If the power is going to be off for a longer period of time, you need to take the proper steps to protect your contents.

ENERGY SAVING TIPS

The refrigerator should be located in the coolest area of the room, away from heat producing appliances, and out of the direct sunlight.

TROUBLESHOOTING

Occasionally, a problem is minor and a service call may not be necessary- use this troubleshooting guide for a possible solution. If the unit continues to operate improperly, call an authorized service depot or **Danby's Toll Free Number 1-844-455-6097** for assistance.

PROBLEM	POSSIBLE CAUSE	SOLUTIONS
1) The refrigerator does not operate.	<ul style="list-style-type: none"> • Not plugged in • The appliance is turned off • The circuit breaker tripped or fuse has been blown. 	<ul style="list-style-type: none"> • Plug in the unit. • Press the ON button. • Reset circuit breaker; check fuses.
2) The refrigerator is not cold enough.	<ul style="list-style-type: none"> • Check the temperature control setting • External environment may require a higher setting. • The door is opened too often • The door is not closed completely • The door gasket does not seal properly 	<ul style="list-style-type: none"> • Adjust setting as needed. • Adjust setting as needed. • Limit open door duration. • Close door securely. • Ensure the gasket is clean.
3) Turns on and off frequently.	<ul style="list-style-type: none"> • The room temperature is hotter than normal. • A large amount of beverage has been added to the refrigerator. • The door is opened too often • The door is not closed completely • The temperature control is not set correctly • The door gasket does not seal properly 	<ul style="list-style-type: none"> • This is normal. • Limit amount of warm beverage introduced at one time. • Limit amount of door openings. • Close door securely. • Adjust setting as needed. • Ensure the gasket is clean.
4) The light does not work.	<ul style="list-style-type: none"> • Not plugged in • The circuit breaker tripped or a blown fuse • The light button is "OFF" 	<ul style="list-style-type: none"> • Plug in the unit. • Reset circuit breaker; check fuses. • Switch light button to "ON".
5) Vibrations.	<ul style="list-style-type: none"> • Ensure that the refrigerator is level. 	<ul style="list-style-type: none"> • Level the refrigerator. (page 2)
6) The refrigerator seems to make too much noise.	<ul style="list-style-type: none"> • The rattling noise may come from the flow of the refrigerant, which is normal. As each cycle ends, you may hear gurgling sounds caused by the flow of refrigerant in your refrigerator. • Contraction and expansion of the inside walls may cause popping and crackling noises. • The refrigerator is not level 	<ul style="list-style-type: none"> • This is normal. • This is normal. • Level the refrigerator.



LIMITED IN-HOME APPLIANCE WARRANTY

This quality product is warranted to be free from manufacturer's defects in material and workmanship, provided that the unit is used under the normal operating conditions intended by the manufacturer.

This warranty is available only to the person to whom the unit was originally sold by Danby Products Limited (Canada) or Danby Products Inc. (U.S.A.) (hereafter "Danby") or by an authorized distributor of Danby, and is non-transferable.

TERMS OF WARRANTY

Plastic parts, are warranted for thirty (30) days only from purchase date, with no extensions provided.

First 24 Months During the first twenty four (24) months, any functional parts of this product found to be defective, will be repaired or replaced, at warrantor's option, at no charge to the ORIGINAL purchaser.

To obtain Service Danby reserves the right to limit the boundaries of "In Home Service" to the proximity of an Authorized Service Depot. Any appliance requiring service outside the limited boundaries of "In Home Service", it will be the consumer's responsibility to transport the appliance (at their own expense) to the original retailer (point of purchase) or a service depot for repair. See "Boundaries of In Home Service" below. Contact your dealer from whom your unit was purchased, or contact your nearest authorized Danby service depot, where service must be performed by a qualified service technician.
If service is performed on the unit by anyone other than an authorized service depot, or the unit is used for commercial application, all obligations of Danby under this warranty shall be void.

Boundaries of In Home Service If the appliance is installed in a location that is 100 kilometers (62 miles) or more from the nearest service center your unit must be delivered to the nearest authorized Danby Service Depot, as service must only be performed by a technician qualified and certified for warranty service by Danby. Transportation charges to and from the service location are not protected by this warranty and are the responsibility of the purchaser.

Nothing within this warranty shall imply that Danby will be responsible or liable for any spoilage or damage to food or other contents of this appliance, whether due to any defect of the appliance, or its use, whether proper or improper.

EXCLUSIONS

Save as herein provided, Danby, there are no other warranties, conditions, representations or guarantees, express or implied, made or intended by Danby or its authorized distributors and all other warranties, conditions, representations or guarantees, including any warranties, conditions, representations or guarantees under any Sale of Goods Act or like legislation or statute is hereby expressly excluded. Save as herein provided, Danby shall not be responsible for any damages to persons or property, including the unit itself, howsoever caused or any consequential damages arising from the malfunction of the unit and by the purchase of the unit, the purchaser does hereby agree to indemnify and hold harmless Danby from any claim for damages to persons or property caused by the unit.

GENERAL PROVISIONS

No warranty or insurance herein contained or set out shall apply when damage or repair is caused by any of the following:

- 1) Power failure.
- 2) Damage in transit or when moving the appliance.
- 3) Improper power supply such as low voltage, defective house wiring or inadequate fuses.
- 4) Accident, alteration, abuse or misuse of the appliance such as inadequate air circulation in the room or abnormal operating conditions (extremely high or low room temperature).
- 5) Use for commercial or industrial purposes (ie. If the appliance is not installed in a domestic residence).
- 6) Fire, water damage, theft, war, riot, hostility, acts of God such as hurricanes, floods etc.
- 7) Service calls resulting in customer education.
- 8) Improper Installation (ie. Building-in of a free standing appliance or using an appliance outdoors that is not approved for outdoor application).

Proof of purchase date will be required for warranty claims; so, please retain bills of sale. In the event warranty service is required, present this document to our AUTHORIZED SERVICE DEPOT.

Warranty Service
In-home

Danby Products Limited
PO Box 1778, Guelph, Ontario, Canada N1H 6Z9
Telephone: (519) 837-0920 FAX: (519) 837-0449

1-844-455-6097

Danby Products Inc.
PO Box 669, Findlay, Ohio, U.S.A. 45840
Telephone: (419) 425-8627 FAX: (419) 425-8629

CONSIGNES DE SÉCURITÉ IMPORTANTES

LISEZ TOUTES LES INFORMATIONS DE SÉCURITÉ AVANT DE FAIRE FONCTIONNER L'APPAREIL.

AVERTISSEMENT: RISQUE DES ENFANTS DEVIENNENT COINCERDANS L'APPAREIL.

Un vide tout réfrigérateur est une attraction dangereuse aux enfants. Enlever les joints étanches, les loquets, les couverts ou les porte des appareils qui ne sont pas utiliser, ou faites de soit que l'appareil ne présente aucun danger.

N'ATTENDEZ PAS! FAITES-LE IMMEDIATEMENT!

DIRECTIVES DE RANGEMENT

Cet appareil est conçu pour un usage domestique à l'intérieur seulement. N'entreposez ni n'utilisez pas cet appareil à l'extérieur.

- Cet appareil doit être mis à la terre. Branchez le seulement dans une prise correctement mise à la terre. Référez-vous au chapitre "Instructions de mise à la terre".
- Ne faites pas fonctionner cet appareil s'il a un cordon ou fiche électrique endommagé, s'il ne fonctionne pas correctement, ou si l'appareil a été endommagé ou échappé.
- N'épissez pas le cordon électrique.
- Ne permettez jamais à un enfant de faire fonctionner l'appareil, de jouer avec ou de ramper à l'intérieur.
- Ne nettoyez jamais des pièces de l'appareil avec un liquide inflammable. Les vapeurs peuvent constituer un risque d'incendie ou provoquer une explosion.
- N'entreposez et n'utilisez pas d'essence ou d'autres liquides ou vapeurs inflammables à proximité de cet appareil ou de tout autre appareil. Les vapeurs peuvent constituer un risque d'incendie ou provoquer une explosion. Gardez le cordon électrique éloigné des sources de chaleur.
- N'immersez pas le cordon ou sa fiche dans aucun liquide.
- N'utilisez pas cet appareil près de bassins d'eau, par exemple dans un sous-sol détrempé, près d'une piscine ou d'un évier.
- N'utilisez pas de produits chimiques ou vapeurs corrosives dans/près de cet appareil.
- N'utilisez cet appareil que pour les fins aux quelles il est conçu comme indiqué dans ce guide.
- Référez-vous aux instructions de nettoyage du fini de la porte se trouvant au chapitre de Soins et nettoyage de ce guide.
- Ne recouvrez pas ou n'obstruez aucune ouverture de l'appareil.
- Cet appareil ne devrait être réparé que par du personnel qualifié. Pour tout examen, réparation ou réglage, contactez votre centre de service le plus rapproché.

MISE À LA TERRE

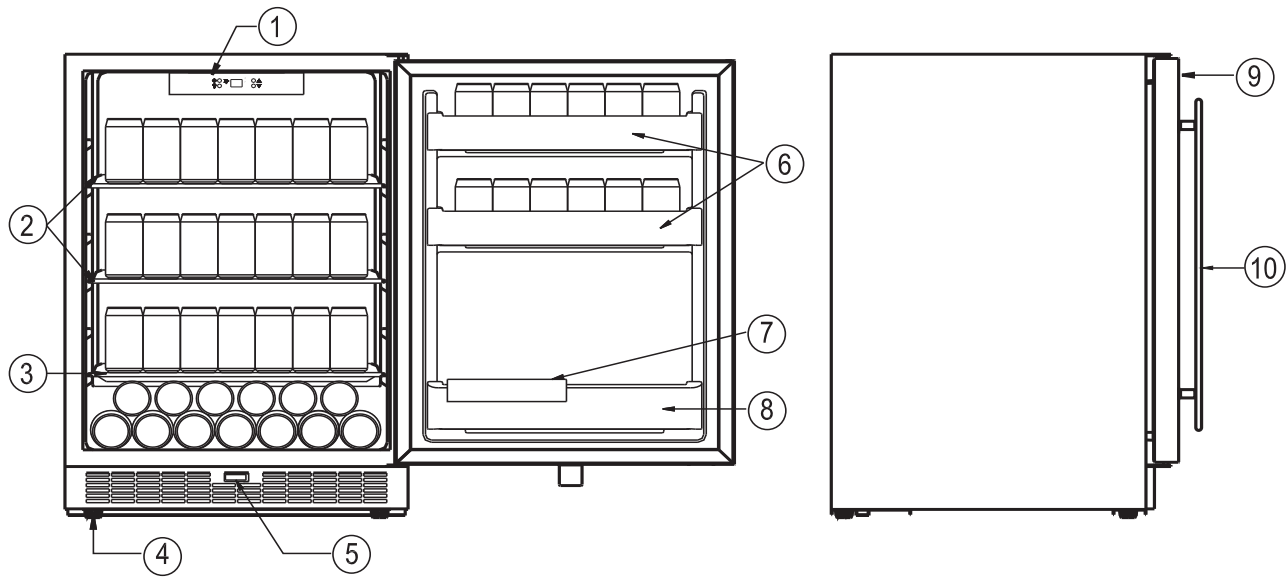
⚠ ADVERTISSEMENT

utilisation incorrecte de la prise de terre peut entraîner un risque de choc électrique.

- Cet appareil doit être mis à la terre. Dans l'éventualité d'un court-circuit, la mise à la terre procure un chemin direct de contournement du courant pour prévenir l'électrocution des manipulateurs de l'appareil.
- Cet appareil est muni d'un cordon comprenant une fiche et fil de mise à la terre.
- La fiche doit être branchée dans une prise correctement installée et mise à la terre.
- Si les directives de mise à la terre ne sont pas tout à fait comprises ou en cas de tout doute relatif à la mise à la terre appropriée de l'appareil, faites appel à un électricien ou à un technicien qualifié.
- Si la prise murale est une prise à 2 branches, c'est votre obligation, et la responsabilité vous en incombe, de la faire remplacer par une prise à trois branches adéquatement mise à la terre.
- Pour un meilleur rendement et pour éviter que les ampoules d'éclairage de la résidence soient affectées d'un affaissement de tension, ou que le fusible ou disjoncteur du circuit ne grille ou ne se déclenche, dédiez un circuit individuel d'alimentation à la machine à glaçons (prise (double) unique sur le circuit).
- Sous aucun prétexte il est permis de couper ou d'enlever la troisième branche (mise à la terre) de la fiche du cordon électrique.
- N'utilisez pas d'adaptateur de fiche avec cet appareil.
- N'utilisez pas de cordon de rallonge avec cet appareil. Si le cordon électrique de l'appareil ne rejoint pas la prise murale, faites installer une prise plus rapprochée par un électricien ou un technicien qualifié.

SAUVEGARDE CES INSTRUCTIONS

CARACTÉRISTIQUES



1. Panneau de commande : permet de voir et de régler la température du tout réfrigérateur
2. Tablette en verre pleine largeur avec garniture blanche
3. Petite tablette en verre avec garniture blanche
4. Pieds de nivellement
5. Interrupteur à bascule pour l'éclairage intérieur : permet d'allumer ou d'éteindre manuellement l'éclairage intérieur sans ouvrir la porte

6. Bac de rangement sur la porte
7. Déflecteur
8. Compartiment pour bouteilles hautes
9. Porte en acier inoxydable entièrement garnie de mousse
10. Poignée de porte en acier inoxydable barre-serviettes

NOTE:

Cette unité est la respiration avant. Ne bloquez pas la bouche d'aération sur la face avant de l'appareil. Le blocage de la bouche d'aération se traduira par des températures de fonctionnement élevées et de défaillance du système (Fig. A)



Fig A

CONSIGNES D'INSTALLATION

AVANT D'UTILISER VOTRE TOUT RÉFRIGÉRATEUR

- Enlevez l'emballage extérieur et intérieur.
- Avant de brancher la tout réfrigérateur sur la source d'alimentation, laissez-la reposer à la verticale pendant environ 2 heures. Cela réduira le risque que le système de refroidissement subisse une défaillance causée par la manutention lors du transport.
- Nettoyez la surface intérieure à l'eau tiède, au moyen d'un chiffon doux.
- Lors de la vidange de votre appareil, choisissez un site d'élimination autorisé.

INSTALLATION DE VOTRE TOUT RÉFRIGÉRATEUR

- Placez votre tout réfrigérateur sur un sol suffisamment solide pour la supporter une fois pleine. Pour mettre votre tout réfrigérateur au niveau, ajustez la patte de nivellement avant, située au bas de l'appareil.
- Installez la unité à l'abri des rayons directs du soleil et de toute source de chaleur (four, appareil de chauffage, radiateur, etc.). Les rayons directs du soleil peuvent endommager le revêtement extérieur de l'appareil; quant aux sources de chaleur, elles peuvent entraîner une augmentation de sa consommation électrique. Les températures extrêmement basses peuvent provoquer un mauvais fonctionnement de l'appareil.
- Évitez d'installer l'appareil dans une zone humide.
- Branchez l'appareil dans une prise murale exclusive, bien installée et mise à la terre. Sous aucun prétexte, vous ne devez couper ou enlever la troisième broche (mise à la terre) de la fiche du cordon électrique. Pour toute question relative à l'alimentation ou à la mise à la terre, faites appel à un électricien qualifié ou à un centre de service autorisé.

ATTENTION

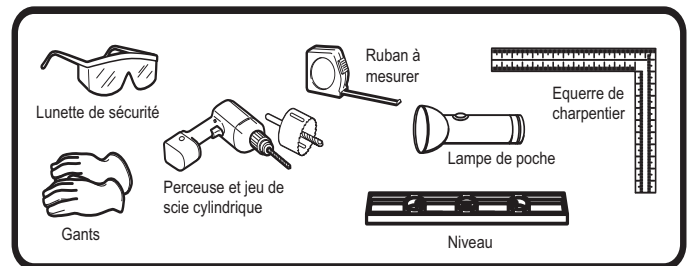
- N'ouvrez la porte qu'en cas de besoin.
- Lorsque la tout réfrigérateur est entreposée pour une longue période sans être utilisée, on recommande, après un nettoyage minutieux, de laisser la porte ouverte afin de faire circuler l'air à l'intérieur, de façon à éviter l'apparition de condensation, de moisissure ou d'odeurs.
- Pour fonction maximale de l'appareil il est préférable de ne pas surcharger les tablettes.
- Ne pas couvrir les tablettes avec un papier d'aluminium ou tout autre matériel qui pourrait prévenir la circulation de l'air.

DIRECTIVES D'INSTALLATION POUR L'ENCASTRAGE

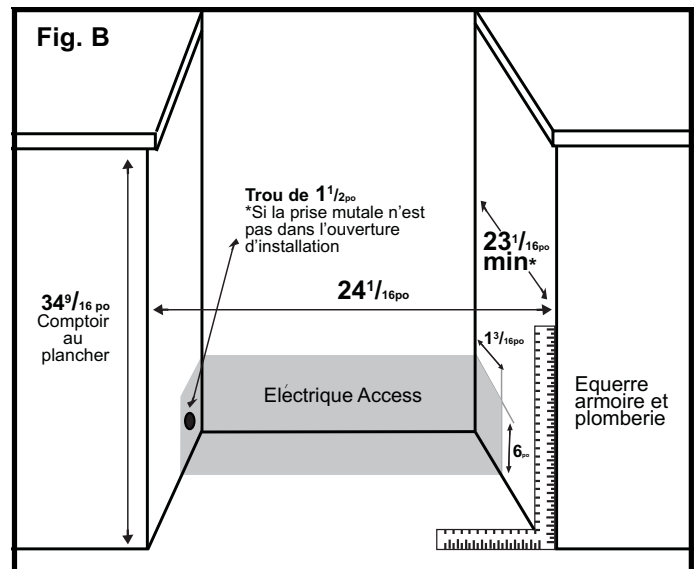
OUTILS NÉCESSAIRES

AVERTISSEMENT!

En faire les installations décrites dans cette section, des gants, les lunettes de sécurité devraient être portés.



- Nous recommandons que vous n'installiez pas l'appareil dans un coin (directement près d'un mur). Ceci permettrait les portes d'avoir une oscillation plus grande que 90°. Une oscillation d'ouverture qui est limitée, empêchera les étagères de glisser dehors comme supposé, et peut endommager la garniture de porte.
- L'ouverture brute de l'armoire doit être sur une surface niveau avec le plancher et d'au moins 23¹/₁₆po de profondeur par 24¹/₁₆po largeur. L'ouverture devrait être à une hauteur maximale de 34 9/16 po.
- Si la prise murale et dans l'autre armoire, percez un trou de 1 po 1/2" de diamètre afin d'insérer le câble électrique. Si l'armoire est faite de métal, le bord du trou doit être couvert d'une bague ou d'un passe-câble.



OPÉRATION

Veillez n'utiliser l'enceinte que lorsque la température ambiante se situe entre 5 et 32 °C (41 et 90°F) Si la température ambiante est supérieure à la valeur maximale ou inférieure à la valeur minimale, la température fluctuera à l'intérieur de l'enceinte, qui ne pourra peut-être pas atteindre une température entre 2 et 10 °C (36 et 50°F).

FONCTIONS

Fonction de mémorisation de la température

- La température réglée est sauvegardée par l'appareil en cas de perte de courant; lorsque le courant revient, l'appareil revient à la même température.

Fonction de rappel de porte ouverte

- Lorsque vous oubliez de fermer la porte ou lorsqu'elle n'est pas complètement fermée, une alarme d'avertissement se déclenche au bout de 5 minutes.

Fonction alarme de température

- Si la température interne atteint plus de 74°F (23°C), <HI> apparaît sur le panneau d'affichage et la sonnerie s'allume au bout d'une heure. Cela nous informe que la température interne de l'appareil est trop élevée, s'il vous plaît vérifier l'appareil et régler le problème.
- Si la température interne est moins de 28°F (-2°C), <LO> apparaît sur le panneau d'affichage. De plus, l'alarme et le témoin d'anomalie s'allument en même temps.

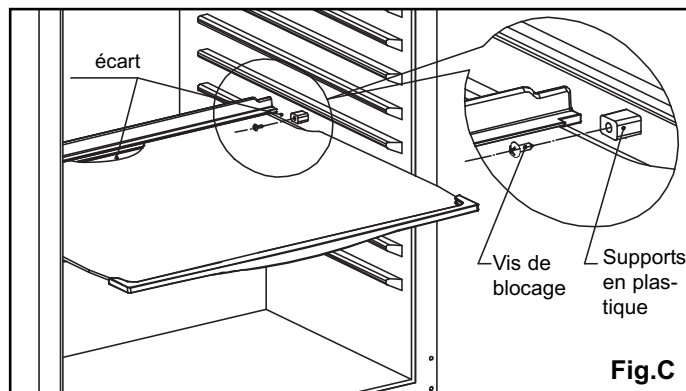
TABLETTES

IMPORTANT!

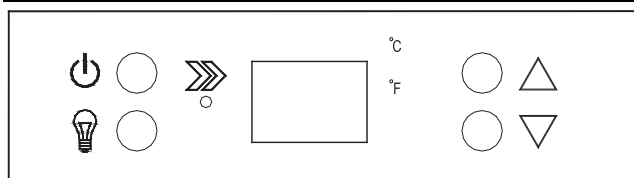
Ne recouvrez pas l'espace sur les tablettes en verre d'une feuille d'aluminium ou de quelque autre matériau, cela pour ne pas nuire à la circulation adéquate de l'air dans l'enceinte.

Lorsque vous retirez l'une de ces tablettes du compartiment coulissant, vous devez d'abord démonter et enlever les supports en plastique, puis enlever les vis de blocage qui maintiennent chaque support en place. **(schéma C)**

Pour réinstaller la tablette, assurez-vous qu'elle est bien posée sur les pattes de support, et poussez-la vers l'arrière jusqu'à ce qu'elle se verrouille en position.



DIRECTIVES RELATIVES AU PANNEAU DE COMMANDE



- Le témoin lumineux s'allume pour indiquer que le mode de refroidissement est en cours de fonctionnement.
 - Contrôle de l'éclairage intérieur ALLUMER/ÉTEINDRE.
 - Pour allumer ou éteindre l'appareil, appuyez sur ce bouton et maintenez-le enfoncé pendant environ 3 secondes.
 - Augmente la température de 1° incréments.
 - Diminue la température de 1° incréments.
- (°C/°F) Témoin lumineux adjacent qui indique l'échelle de la température affichée.

RÉGLAGE DES COMMANDES DE TEMPÉRATURE

Lorsque vous branchez votre tout réfrigérateur pour la première fois, la température est réglée automatiquement à 41 °F (5 °C) et est affichée en degrés Fahrenheit (°F).

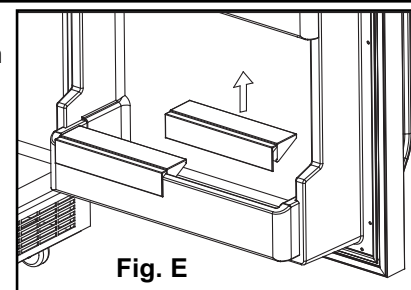
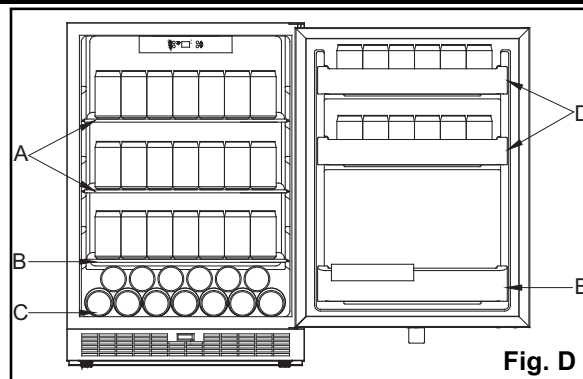
- La plage de température peut être réglée à 36 °F (2 °C) au minimum ou à 50 °F (10 °C) au maximum pour répondre à vos besoins spécifiques d'entreposage. Chaque pression sur les boutons \triangle ∇ vous permet de régler la température par paliers de 1° dans la plage susmentionnée.
- Pour permuter l'affichage entre les degrés Fahrenheit (°F) et les degrés Celsius (°C), maintenez les boutons \triangle ∇ enfoncés simultanément pendant environ 3 à 5 secondes.

RANGEMENT DES BOISSONS

L'appareil peut conserver un maximum de 123 cannettes de 330 ml et 2 bouteilles de 2 gallons de lait. Pour obtenir la méthode détaillée de rangement, veuillez vous reporter au **schéma D**.

- Emplacement A : 35 cannettes de 330 ml peuvent être rangées sur chaque plateau
- Emplacement B : 28 cannettes de 330 ml peuvent être rangées sur chaque plateau
- Emplacement C : 13 cannettes de 330 ml peuvent être rangées dans le fond de l'unité
- Emplacement D : 6 cannettes de 330 ml peuvent être rangées dans chaque bac de rangement
- Emplacement E : 2 bouteilles de 2 gallons de lait ou 2 bouteilles de boissons de 2 litres peuvent être rangées dans le bac pour bouteilles de lait **Schéma E**

- > Si vous devez conserver une bouteille de lait de 2 gallons, veuillez enlever le morceau de blocage tel qu'illustré ci-dessous (voir le **schéma E**) et gardez-le à un endroit où les enfants ne peuvent pas y toucher afin d'éviter les blessures.
- > Si vous devez conserver une bouteille de boissons de 2 litres, remettez le morceau de blocage en place.



ATTENTION

Lorsqu'il n'y a pas de boissons dans l'enceinte, ne mettez pas de bouteille de lait de 2 gallons dans le bac pour bouteilles de lait pour éviter qu'elle ne tombe.

SOINS ET ENTRETIEN

NETTOYAGE DE VOTRE TOUT RÉFRIGÉRATEUR

- Mettre le unité hors tension et le débrancher, puis retirez tout ce qu'il y a sur les tablettes et les supports.
- Lavez les surfaces internes avec une solution d'eau chaude et de bicarbonate de sodium. La solution doit contenir 2 cuillérées à table de bicarbonate de sodium dans un litre d'eau.
- Lavez les étagères avec une solution de détergent doux.
- Essorez l'éponge ou le chiffon pour en retirer l'excès d'eau lorsque vous nettoyez la zone des commandes ou des pièces électriques.
- Lavez l'extérieur du tout réfrigérateur avec de l'eau chaude et un détergent liquide doux. Rincez bien et essuyez avec un chiffon doux propre et sec.

PANNE DE COURANT

- La plupart des pannes de courant ne durent que quelques heures et ne devraient pas modifier la température de votre tout réfrigérateur si vous réduisez au maximum le nombre de fois où la porte est ouverte. Si le courant reste coupé pendant une longue période, il faut prendre des mesures de protection du contenu de l'appareil.

PÉRIODE DE VACANCES

- **Courtes vacances** : Laissez le unité fonctionner pendant les vacances durant moins de trois semaines.
- **Longues vacances** : Si le unité ne doit pas être utilisé pendant plusieurs mois, retirez tout ce qu'il contient et mettez-le hors tension. Nettoyez et asséchez à fond l'intérieur. Pour éviter les odeurs et le développement de moisissures, laissez la porte entrouverte: la coincer au besoin.

DÉPLACEMENT DE VOTRE TOUT RÉFRIGÉRATEUR

- Retirez tout ce qu'il contient.
- Immobilisez avec du ruban-cache tout ce qui est mobile (tablettes) dans l'appareil.
- Tournez la patte réglable pour la relever dans la base et éviter tout dommage.
- Maintenez la porte fermée avec du ruban-cache.
- Assurez-vous que le tout réfrigérateur reste bien en position verticale pendant son transport. Protégez aussi l'extérieur du tout réfrigérateur avec une couverture ou l'équivalent.
- Le tout réfrigérateur devrait être installé dans l'endroit le plus frais de la pièce, loin des sources de chauffage et des rayons directs du soleil.

CONSEILS POUR ÉCONOMISER L'ÉNERGIE

Le réfrigérateur devrait être localisé dans le secteur le plus frais de la pièce loin de chaleur produire les appareils et de la lumière du soleil directe.

DÉPANNAGE

Il peut arriver qu'un problème mineur se produise qui ne nécessite pas d'appel de service : consultez ce guide de dépannage pour trouver une solution possible. Si l'appareil continue de mal fonctionner, appelez un atelier de réparation autorisé ou **le numéro sans frais de Danby 1-844-455-6097**, pour obtenir de l'assistance.

PROBLÈME	CAUSE POSSIBLE	SOLUTIONS
1) Le tout réfrigérateur ne fonctionne pas.	<ul style="list-style-type: none"> Appareil débranché Appareil éteint Le disjoncteur s'est éteint ou un fusible a sauté 	<ul style="list-style-type: none"> Branchez l'appareil. Appuyez sur le bouton Marche (ON). Réarmez le disjoncteur, vérifiez les fusibles.
2) Le tout réfrigérateur ne refroidit pas suffisamment.	<ul style="list-style-type: none"> Vérifiez le réglage de la commande de température. L'environnement extérieur peut nécessiter une température de consigne plus élevée. La porte est trop souvent ouverte. La porte n'est pas complètement fermée Le joint de la porte n'est pas hermétique 	<ul style="list-style-type: none"> Régalez les températures de consigne au besoin. Régalez les températures de consigne au besoin. Limitez la durée d'ouverture de la porte. Fermez bien la porte. Vérifiez que le joint est propre.
3) L'appareil est activé et désactivé fréquemment.	<ul style="list-style-type: none"> La température de la pièce est supérieure à la normale. Une grande quantité de boissons a été ajoutée au tout réfrigérateur. La porte est trop souvent ouverte. La porte n'est pas complètement fermée La commande de température n'est pas réglée correctement Le joint de la porte n'est pas hermétique 	<ul style="list-style-type: none"> Cela est normal. Limitez la quantité de boissons chaudes ajoutées en une seule fois. Limitez le nombre d'ouvertures de la porte. Fermez bien la porte. Régalez les températures de consigne au besoin. Vérifiez que le joint est propre.
4) La lumière ne s'allume pas.	<ul style="list-style-type: none"> Appareil débranché Le disjoncteur s'est déclenché ou le fusible a grillé. Le bouton de l'éclairage est à la position éteinte. 	<ul style="list-style-type: none"> Branchez l'appareil. Réarmez le disjoncteur, vérifiez les fusibles. Basculez l'interrupteur d'éclairage à la position d'allumage.
5) Vibrations.	<ul style="list-style-type: none"> Assurez-vous que le tout réfrigérateur est de niveau. 	<ul style="list-style-type: none"> Mettez le tout réfrigérateur de niveau. (voir page 10)
6) Le tout réfrigérateur semble trop bruyant.	<ul style="list-style-type: none"> Le cliquetis peut provenir de l'écoulement du frigorigène, ce qui est normal. À la fin de chaque cycle, vous pouvez entendre un gargouillement causé par l'écoulement du frigorigène dans votre tout réfrigérateur. La contraction et la dilatation des parois internes peut provoquer les claquements et craquements. Le tout réfrigérateur n'est pas de niveau 	<ul style="list-style-type: none"> Cela est normal. Cela est normal. Mettez le tout réfrigérateur de niveau.

GARANTIE LIMITÉE SUR APPAREIL ÉLECTROMÉNAGER À DOMICILE

Cet appareil de qualité est garanti exempt de tout vice de matière première et de fabrication, s'il est utilisé dans les conditions normales recommandées par le fabricant.

Cette garantie n'est offerte qu'à l'acheteur initial de l'appareil vendu par Danby Products Limited (Canada) ou Danby Products Inc. (E.-U. d'A) (ci-après "Danby") ou par l'un des ses distributeurs agréés et elle ne peut être transférée.

CONDITIONS

Les pièces en plastique sont garanties pour trente (30) jours seulement à partir de la date de l'achat, sans aucune prolongation prévue.

Première 24 mois Pendant les vingt quatre (24) mois, toutes pièces fonctionnelles de ce produit s'avèrent défectueuses, seront réparées ou remplacées, selon le choix du garant, sans frais à l'acheteur INITIAL.

Pour bénéficiaire du Service Le client sera responsable pour le transport et tous les frais d'expédition de tout appareil exigeant le service au dépôt de service autorisé le plus proche. S'adresser au détaillant qui a vendu l'appareil, ou à la station technique agréée de service la plus proche, où les réparations doivent être effectuées par un technicien qualifié. Si les réparations sont effectuées par quiconque autre que la station de service agréée où à des fins commerciales, toutes les obligations de Danby en vertu de cette garantie seront annulées.

Limites de l'entretien à domicile Si l'appareil est installé à plus de 100 kilomètres (62 milles) du centre de service le plus proche, il doit être livré à l'atelier de réparation autorisé par Danby le plus proche, car l'entretien doit uniquement être réalisé par un technicien qualifié et certifié pour effectuer un entretien couvert par la garantie de Danby. Les frais de transport entre votre domicile et le lieu de l'entretien ne sont pas couverts par la présente garantie et doivent être acquittés par l'acheteur.

Cette garantie indique en aucun temps la responsabilité de Danby de l'avarie ou dommage de la vin ou autre contenu, soit par les vices de l'appareil, ou soit par l'utilisation convenable ou inexacte.

EXCLUSIONS

En vertu de la présente, il n'existe aucune autre garantie, condition ou représentation, qu'elle soit exprimée ou tacite, de façon manifeste ou intentionnelle, par Danby ou ses distributeurs agréés. De même, sont exclues toutes les autres garanties, conditions ou représentations, y compris les garanties, conditions ou représentations en vertu de toute loi régissant la vente de produits ou de toute autre législation ou règlement semblables.

En vertu de la présente, Danby ne peut être tenue responsable en cas de blessures corporelles ou des dégâts matériels, y compris à l'appareil, quelle qu'en soit les causes. Danby ne peut pas être tenue responsable des dommages indirects dus au fonctionnement défectueux de l'appareil. En achetant l'appareil, l'acheteur accepte de mettre à couvert et de dégager Danby de toute responsabilité en cas de réclamation pour toute blessure corporelle ou tout dégât matériel causé par cet appareil.

CONDITIONS GÉNÉRALES

La garantie ou assurance ci-dessus ne s'applique pas si les dégâts ou réparations sont dus aux cas suivants:

- 1) Panne de courant.
- 2) Dommages subis pendant le transport ou le déplacement de l'appareil.
- 3) Alimentation électrique incorrecte (tension faible, câblage défectueux, fusibles incorrects).
- 4) Accident, modification, emploi abusif ou incorrect de l'appareil tel qu'une circulation d'air inadéquate dans la pièce ou des conditions de fonctionnement anormales (température extrêmement élevée ou basse).
- 5) Utilisation dans un but commercial ou industriel (à savoir, si l'appareil n'est pas installé dans un domicile résidentiel).
- 6) Incendie, dommages causés par l'eau, vol, guerre, émeute, hostilités, cas de force majeure (ouragan, inondation, etc.).
- 7) Visites d'un technicien pour expliquer le fonctionnement de l'appareil au propriétaire.
- 8) Installation inappropriée (par exemple, encastrement d'un appareil autoportant, ou utilisation extérieure d'un appareil non conçu à cet effet).

Une preuve d'achat doit être présentée pour toute demande de réparation sous garantie. Prière de garder le reçu. Pour faire honorer la garantie, présenter ce document à la station technique agréée ou s'adresser à:

Service sous-garantie
Service au domicile

Silhouette

PROFESSIONAL ^{TM/MC}

Model • Modèle

DAR055D1BSSPR

For service, contact your nearest service depot or call:

1-844-455-6097

to recommend a depot in your area.

Pour obtenir de l'assistance, communiquez avec votre centre de service le plus rapproché ou composez le :

1-844-455-6097

pour localiser le dépositaire de votre région

Compact All Refrigerator

The model number can be found on the serial plate located on the back panel of the unit.

All repair parts available for purchase or special order when you visit your nearest service depot. To request service and/or the location of the service depot nearest you, call the TOLL FREE NUMBER.

When requesting service or ordering parts, always provide the following information:

- Product Type
- Model Number
- Part Description

Réfrigérateur compact sans congélateur

Le numéro de modèle se trouve sur la plaque signalétique au dos de l'unité.

Vous pouvez vous procurer/commander toute pièce de rechange chez votre dépositaire le plus rapproché. Pour toute demande de service ou pour localiser le dépositaire/centre de service le plus rapproché, composez le NUMÉRO SANS FRAIS.

Pour toute demande de service ou commande de pièces, fournissez toujours l'information suivante :

- Type de produit
- Numéro de modèle
- Description de la pièce requise

Danby Products Limited, Guelph, Ontario Canada N1H 6Z9

Danby Products Inc., Findlay, Ohio USA 45840