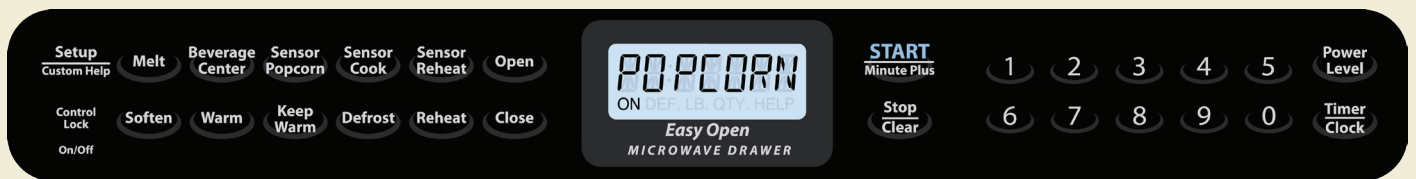


SHARP®

KB-6525PS/PK/PW Insight Pro® Microwave Drawer® Oven



INSIGHT·PRO®



Innovative thinking led to the world's first Microwave Drawer® Oven, an appliance that has helped revolutionize kitchen design and microwave oven placement. Now Sharp introduces the next generation of this successful appliance – larger, sleeker and more accessible than ever. The KB-6525P fits in the same space as other Sharp 30-inch models, yet its larger 1.2 cu. ft. interior is tall enough to hold a 20 oz. cup from your favorite take-out coffee store. Plus, there are two convenient ways to open or close the drawer – either pull or push the Easy Open handle or simply touch the Auto-Touch™ control panel.

With more convenience features, quieter operation and a more integrated design, the KB-6525P really is the best solution yet for where to place the microwave.

New 30-inch Design

The new KB-6525P joins Sharp's line-up of Microwave Drawer appliances. The design is new, inside and out. The cavity is larger with 1.2 cu. ft. capacity, tall enough to hold your favorite 7-in. high mug or a 20 oz. cup from your neighborhood take-out coffee store. The new open handle and concealed louvers give this model a contemporary, quality look and feel. With all these changes, outside dimensions remain the same, making kitchen planning and installation easier.

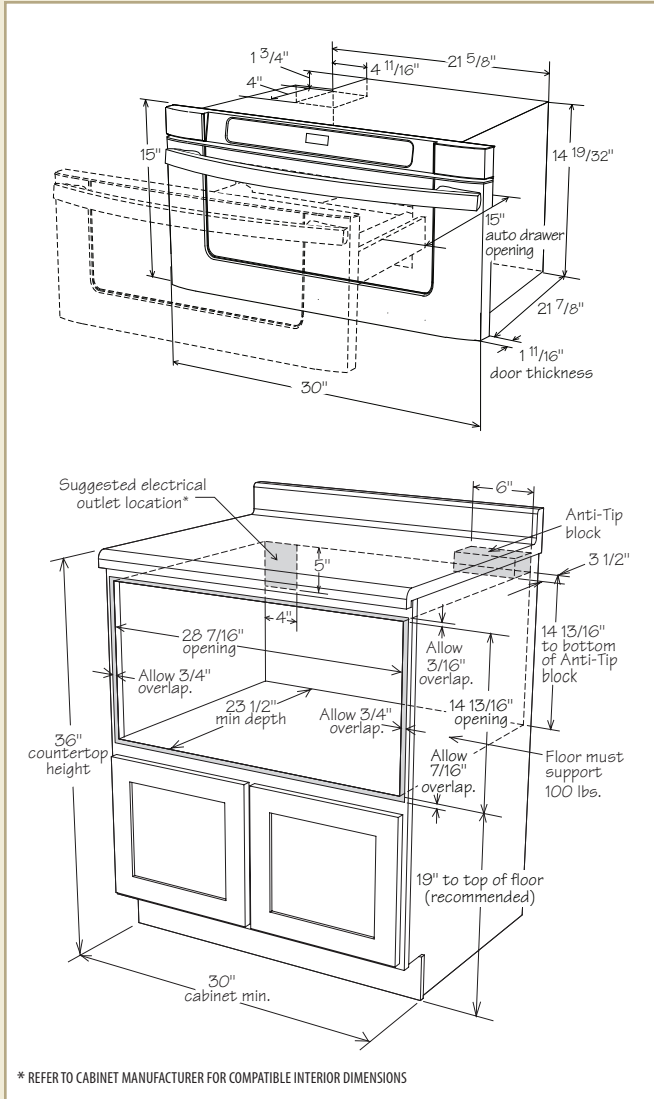
Easier Accessibility

Just pull or push the Microwave Drawer handle and Sharp's exclusive Easy Open system activates a motor to open or close the drawer automatically. For even easier access, the control panel also features Open and Close buttons for one-finger operation.

Smaller, lower drawer slides make the cavity more accessible so it's easier to clean the top and back walls. And best of all, there's no need to remove the dish from the oven to check, stir, or turn the food.

Increased Functionality

Sharp continually looks at where consumers place their microwave ovens and how they use them. Based on research with Microwave Drawer owners, we've expanded Short Cut options to include "Warm" for heating syrup for pancakes and dessert sauce for ice cream. A new Beverage Center warms coffee or heats water for hot tea or instant coffee or soup. Sensor Cook® settings and defrost options have been expanded.



Sharp, Insight Pro, Microwave Drawer, Auto-Touch, Sensor Cook, Minute Plus and other related trademarks are trademarks or registered trademarks of Sharp Corporation and/or its related entities. All other trademarks are property of their respective owners.

SPECIFICATIONS	FEATURES	KB-6525PS/PK/PW
Controls	Front-mounted touch controls, angled for easy viewing	•
	Digital LCD display	•
	Kitchen timer	7 digits
	Control lock	•
	Demonstration mode	•
Microwave Drawer	1.2 cu. ft. capacity (holds 9" x 13" dish)	•
	1000W output power	•
	Microwave Drawer opening system	Automatic Easy Open handle or touch control
	Sensor Cook, Reheat, Popcorn	12 settings
	Preprogrammed Reheat	2 settings
	Automatic Defrost	6 settings
	Everyday Convenience Features	Melt, Soften, Warm, Beverage Center
	Microwave Keep Warm	Up to 30 minutes
	Variable power levels	11
	Programmable stages	4
Clock	•	
Minute Plus™	•	
Design	Open Towel Bar	•
Color	Stainless	KB-6525PS
	Black	KB-6525PK
	White	KB-6525PW
Cavity Dimensions	17 5/16" w x 7 1/8" h x 16 9/16" d	
Outside Dimensions	30" w x 15" h x 26 3/16" d (with handle)	
Approx. Shipping Weight	108 lbs.	
Power/Ratings	120V, 60Hz / 1.67kW, 14.5 Amps	
Safety Compliance	FCC, DHHS, UL listed	
UPC Codes	KB-6525PS:	074000 617803
	KB-6525PK:	074000 617827
	KB-6525PW:	074000 617810
Limited Warranty	One-year parts and one-year labor with in-home service. The warranty continues for an additional four years, for a total of five years, on the magnetron tube for parts only.	

Design and specifications subject to change without notice.

For additional information, including limited warranty, complete dimensions, installation instructions and tips, please visit www.sharpsusa.com/microwavedrawer.



Best New Kitchen Product 2005
Kitchen/Bath Industry Show
2005 and 2006
Product Innovator Award
Kitchen+Bath Business Magazine



ELECTRONIC CATALOG AVAILABLE

