

FRIGIDAIRE



Home Comfort

FRA082AT7

Compact
Air Conditioner



More Easy-To-Use Features

Comfort Control Design

Easily control the direction of your cool air, wherever your unit is.

Effortless™ Restart

Automatically resumes operating at its previous settings when power is restored to your unit.

Power Cord

Comes with an extra long three-prong cord that makes extension cords unnecessary.

SpaceWise™ Adjustable Design

Optional Side Panels extend so you can adjust your unit to fit your window.

Performance	BTUs
Cool	8,000

Signature Features

Effortless™ Temperature Control

Our air conditioners maintain the preset room temperature, so you will remain comfortable at all times.

Effortless™ Clean Filter

Our anti-microbial filter cleans the air, removing harmful bacteria.

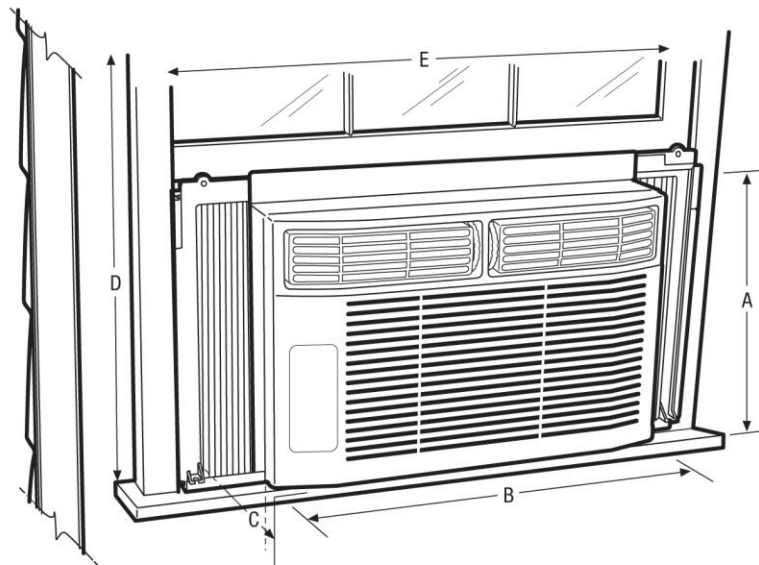
Multi-Speed Fan

Features two different fan speeds, for more cooling flexibility.

Quickly Cools

Quickly cool a room on hot days.

Performance	
BTU (Cool)	8,000
Dehumidification (Pints/Hour)	1.7
Cool Area (Sq. Ft.)	350
Energy Efficiency Ratio	9.8
Electrical	
Volts	115
Amps (Cool)	7.4
Watts (Cool)	815
Length of Power Cord (Min./Max.)	6' / 6.5'
Plug Type (NEMA)*	LCDI (A)
Features	
Electronic Controls	Mechanical
Fan Speeds (Cool/Fan)	3/3
Low Voltage Start-Up	Yes
Auto Cool Function	
Energy Save	
Sleep Mode	
Filter Check	
24 Hour On/Off Timer	
Clean Air Ionizer	
Remote Control	
Air CFM (High/Med/Low)	217/176/147
Air Direction Control	8-Way
Fresh Air/Exhaust Vent/Closed	No/No/Yes
Filter Type	Antimicrobial Mesh
Filter Access	Tilt-Out
Slide-Out Chassis	
Cabinet Louvers	Yes
Rear Grille	
Window Mounting Kit	Pleated Quick Mount
Certifications	
Performance	AHAM
Specifications	
Refrigerant	R410a
Shipping Weight (Approx.)	53 Lbs.



*Plug Type (NEMA)
(A) 5-15P

NOTE: For planning purposes only. Always consult local and national electric codes. Refer to Product Installation Guide for detailed installation instructions on the web at frigidaire.com.



Product Dimensions		Window Dimensions	
A - Height	13.4"	D-Height (Min.)	14"
B - Width	18.5"	E-Width (Min./Max.)	23" / 36"
C - Depth	15.5"		

Accessories information available on the web at frigidaire.com

FRIGIDAIRE

USA • 10200 David Taylor Drive • Charlotte, NC 28262 • 1-800-FRIGIDAIRE • frigidaire.com
CANADA • 5855 Terry Fox Way • Mississauga, ON L5V 3E4 • 1-800-265-8352 • frigidaire.ca

FRA082AT7 06/10

© 2010 Electrolux Home Products, Inc.

Specifications subject to change.
Printed in the U.S.A.